


59250 Product Details

[Share](#) [Print](#) [Email](#)



59250

TE Internal Number: 59250
 Active

Application Tooling

Product Highlights:

- Product Classification = Tooling
- Not relevant for RoHS and/or ELV compliance
- Lead Free Solder Processes = Not reviewed for lead free solder process

[View all Features](#)

Quick Links

- ▶ [Pricing & Availability](#)
- ▶ [Search for Tooling](#)
- ▶ [Product Feature Selector](#)
- ▶ [Contact Us About This Product](#)

[Add to My Part List](#) [Request Sample](#) [Find Similar Products](#) [Buy Product](#)

Documentation & Additional Information

Product Drawings:

- [T. HEAD ASSEMBLY \(PDF, English\)](#)

Catalog Pages/Data Sheets:

- None Available

Product Specifications:

- None Available

Application Specifications:

- None Available

Instruction Sheets:

- ["T"-HEAD Crimping Tools 59170, 59250, 59275, 59300... \(PDF, English\)](#)
- [Tool and Die Selection Chart for Insulated PIDG, PLA... \(PDF, English\)](#)

CAD Files:

- None Available

Related Products:

- [Tooling](#)

[List all Documents](#)

Product Features (Please use the Product Drawing for all design activity)

Product Type Features:

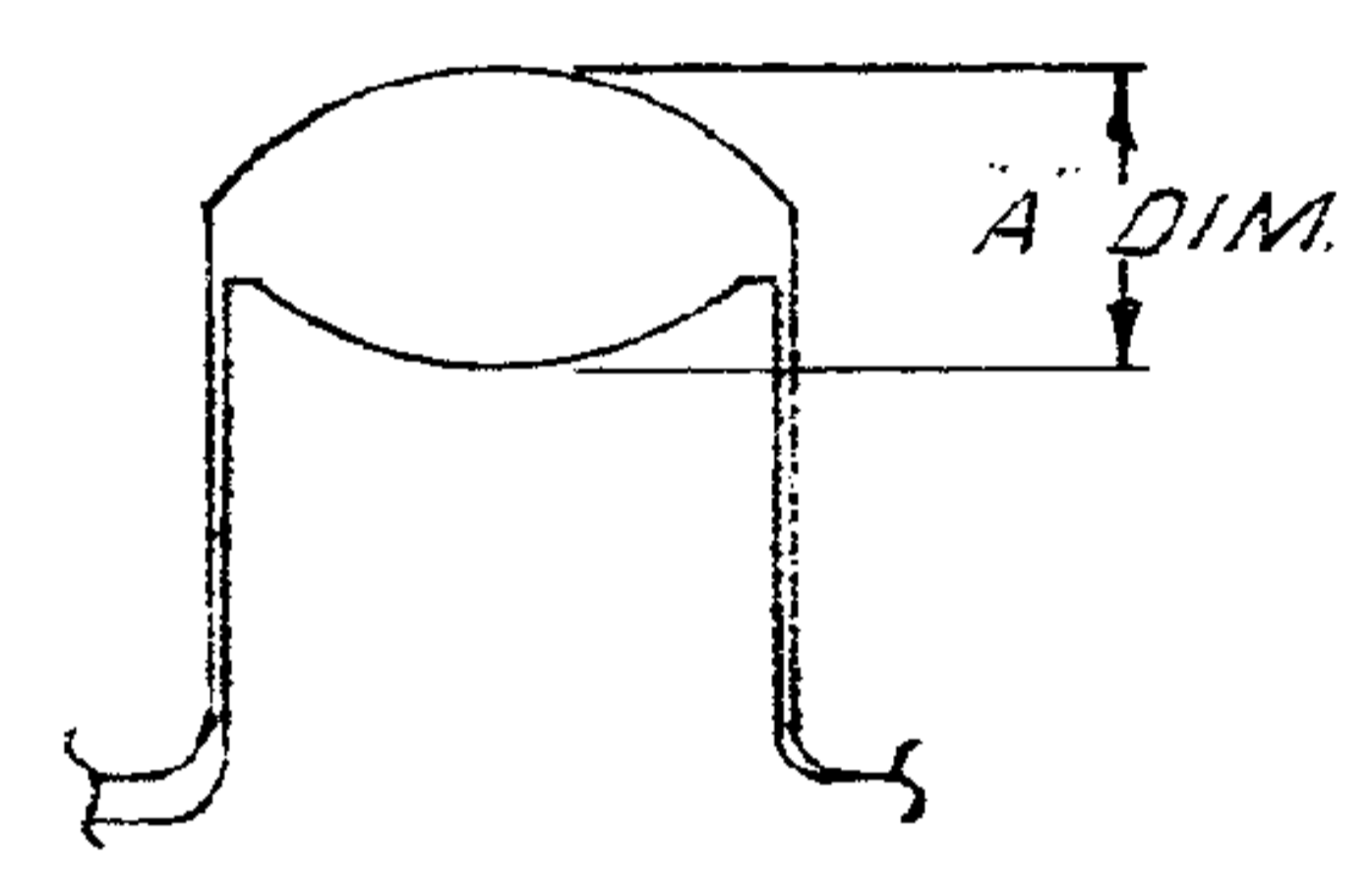
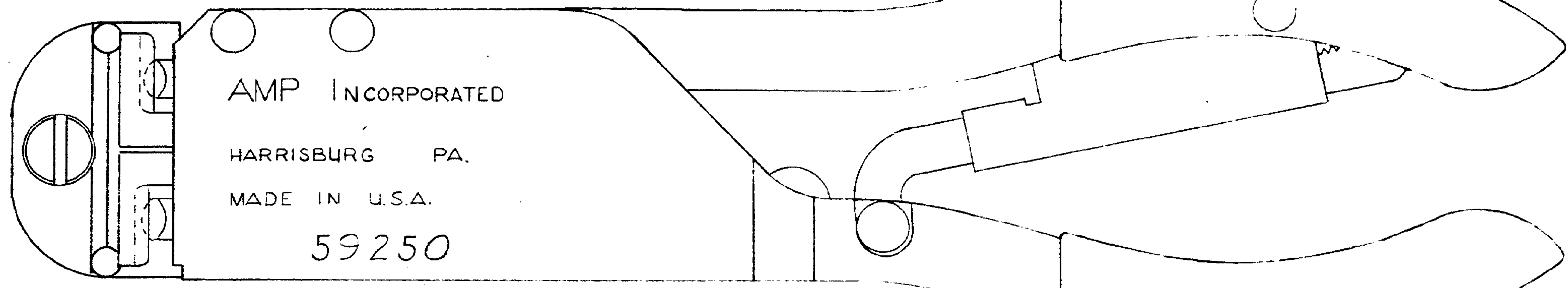
- Product Classification = Tooling

Industry Standards:

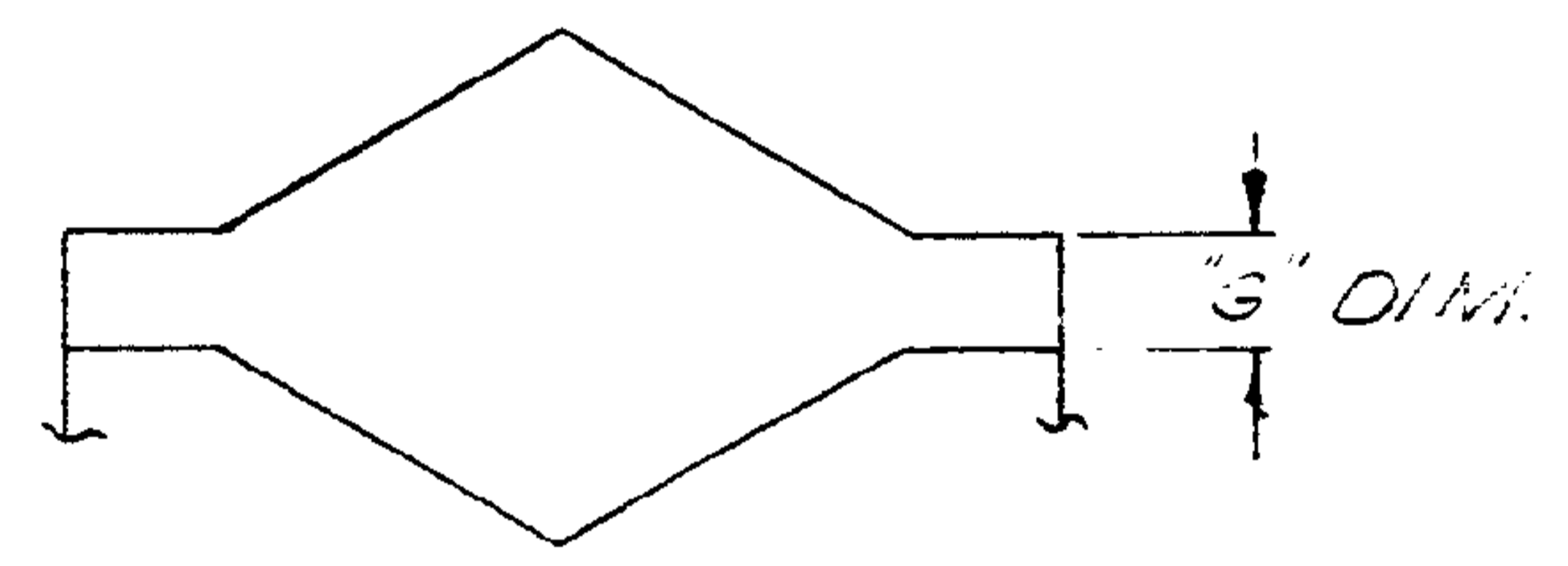
- Government/Industry Qualification = No
- [RoHS/ELV Compliance](#) = Not relevant for RoHS and/or ELV compliance
- [Lead Free Solder Processes](#) = Not reviewed for lead free solder process

Other:

- Brand = AMP



BARREL - CRIMP

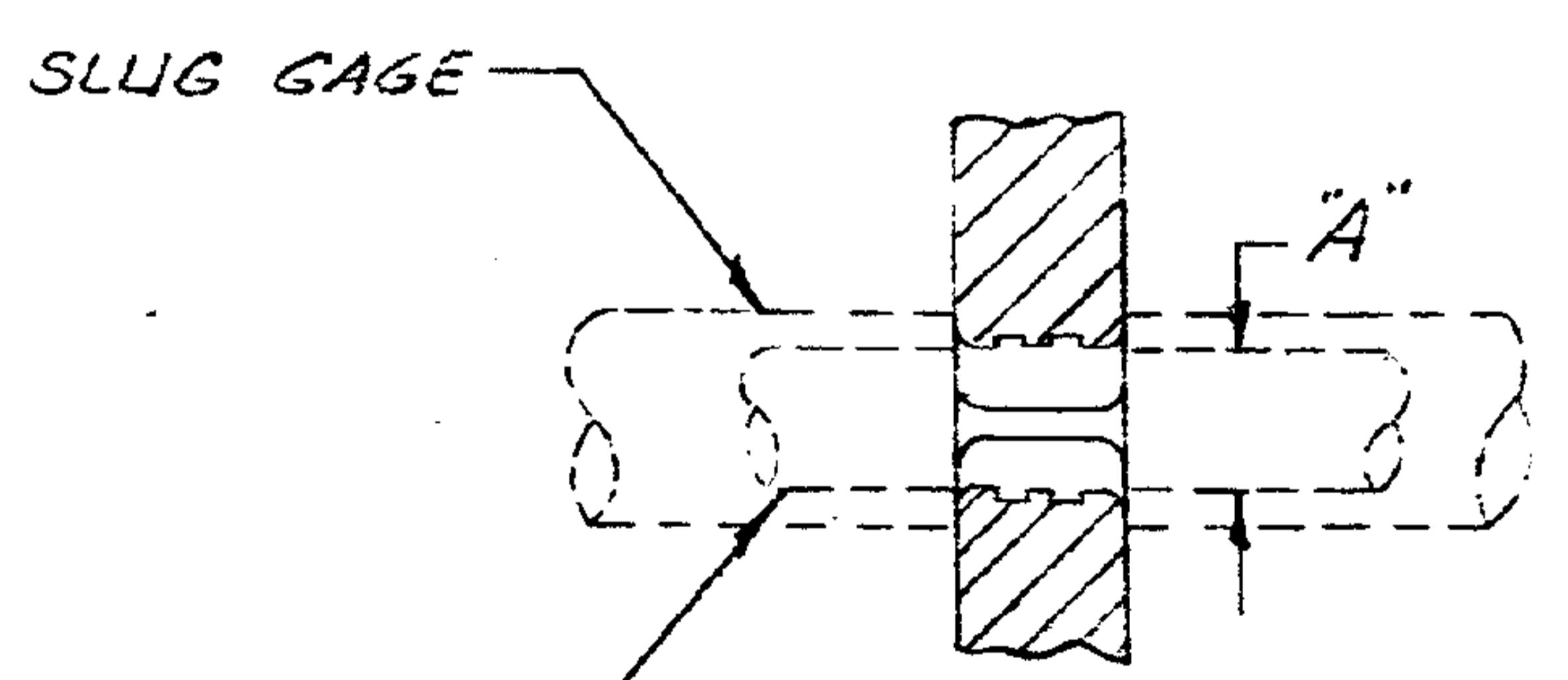


INSULATION - CRIMP

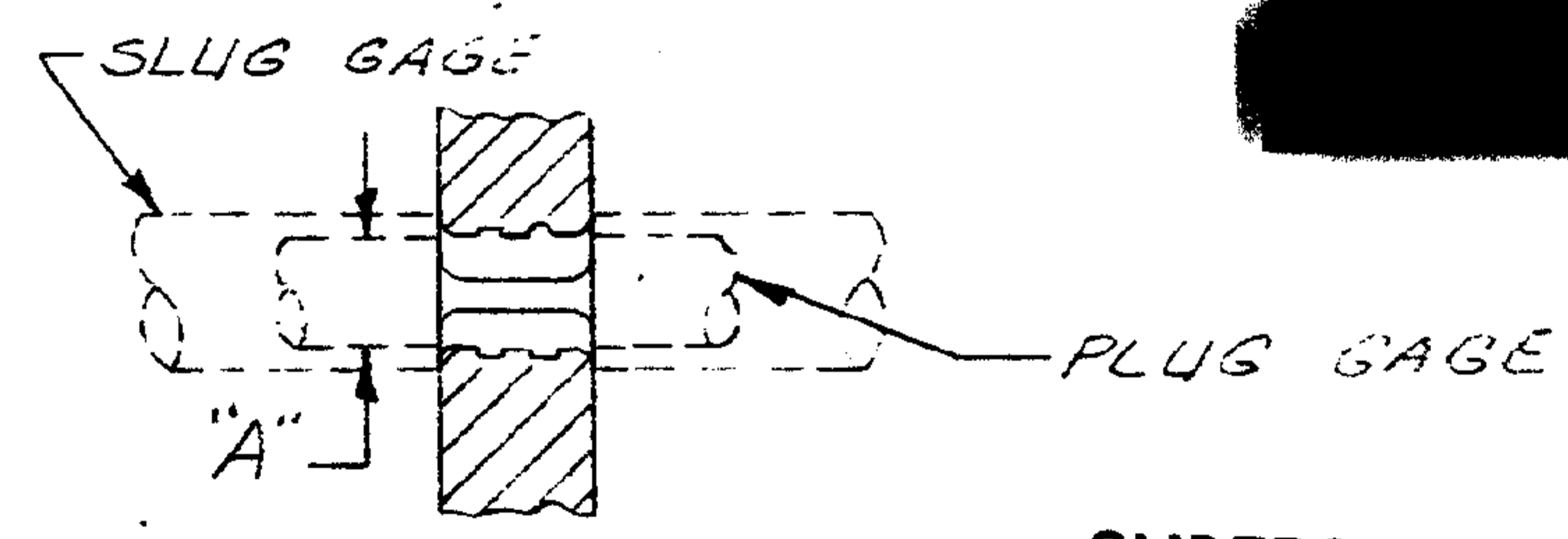
NOTE:
 1. WHEN PLUG OR SLUG GAGING OF BARREL CRIMP IT IS IMPORTANT TO NOTE THAT DIMENSION "A" IS THE FIGURE REQUIRED.

ENLARGED VIEW OF CRIMPS

| WIRE SIZE | "A" DIM. BARREL CRIMP | | "S" DIM. INSULATION CRIMP | |
|-----------|-----------------------|-------|---------------------------|-----------------|
| | GO | NO GO | GO MIN AT +1 | NO GO FIN AT +4 |
| 22-16 | .109 | .115 | .030 | .110 |
| 16-14 | .119 | .125 | .040 | .120 |

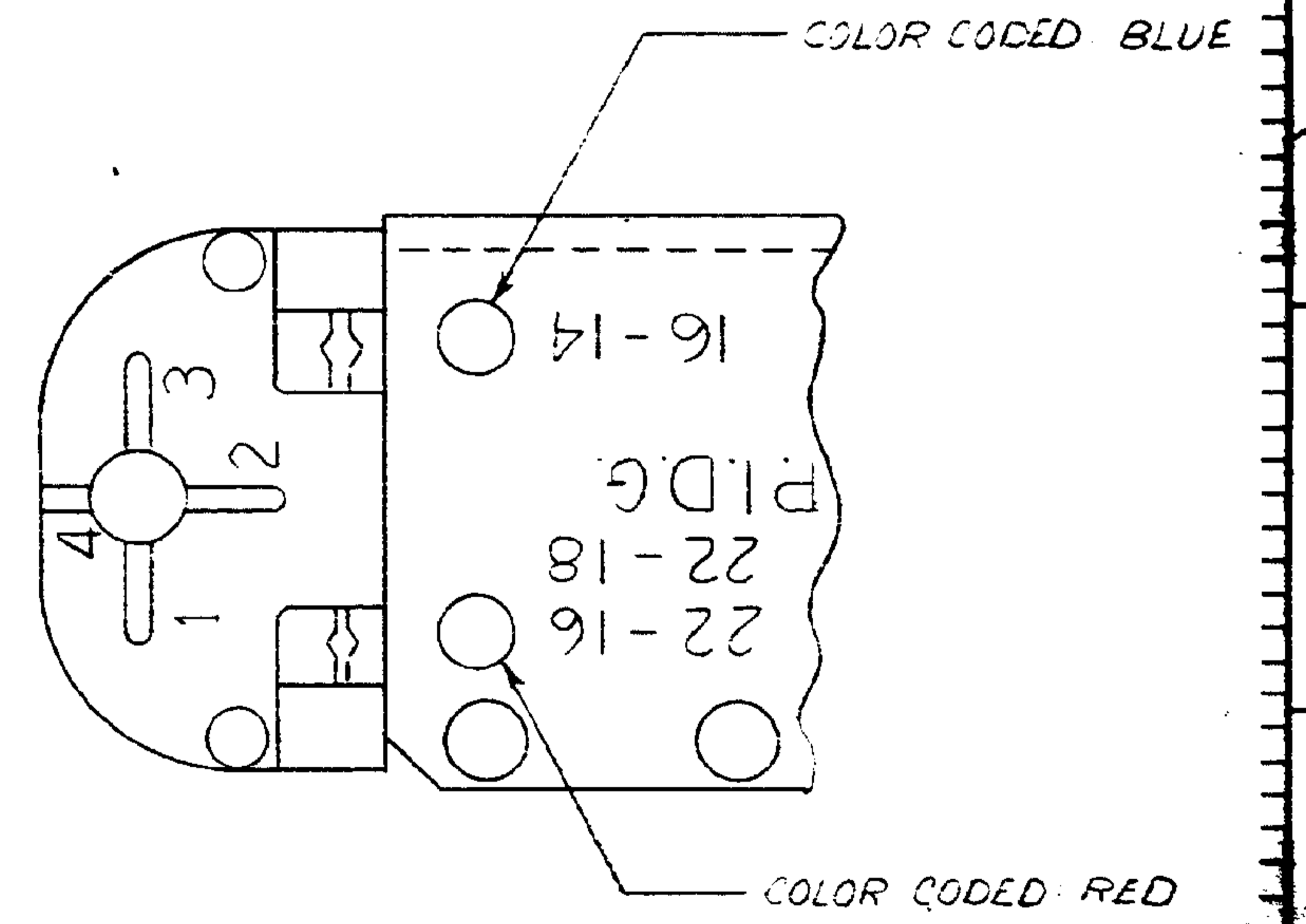


BARREL INSERTS 16-14



BARREL INSERTS 22-16

SUPERSEDED BY LS 1610



DIMENSIONS IN INCHES DO NOT SCALE PRINT

| | | | | |
|-----|---------------------------|----|-----|-----------|
| J2 | REVISED PER ECO-11-005294 | RK | HMR | 06 APR 11 |
| LTR | REVISION RECORD | GR | CHK | DATE |

| | | | | | |
|-----------------|-----------------------|---------------------------|---------------------------|-----------------|------------------------|
| 59250 NUMBER | REQUIRED PER ASSEMBLY | DWG NUMBER | NAME | REMARKS | ITEM NO. |
| | | B.S. Henfeld 12-28-66 | | | |
| | | CHK 1-4-67 | MATERIAL AND FINISH | TE Connectivity | |
| | | OR 1-4-67 | CLASS | | |
| | | | WIRE - RANGE - INSULATION | TYPE | CONFINED CRESCENT PLUG |
| | | 22-16/14-14 | LOC | NO 59250 | REV J2 |
| | | TOLERANCE EXCEPT AS NOTED | SCALE | | |
| | | ± .015 | 1:1 | | |
| | | DATE | NAME | T HEAD ASSEMBLY | |
| | | 1-4-67 | B.S. Henfeld | | |