

SPECIFICATIONS

ELECTRICAL

RESISTANCE ----- 10K OHMS  
 RESISTANCE TOLERANCE ----- ±15%  
 LINEARITY (INDEPENDENT) ----- ±3.0%  
 POWER RATING ----- 0.2 WATT  
 ELECTRICAL ROTATING ANGLE ----- 60°  
 RESOLUTION ----- ESSENTIALLY INFINITE  
 OUTPUT SMOOTHNESS ----- BELOW 0.2% AGAINST INPUT VOLTAGE  
 CONTACT RESISTANCE VARIATION ----- BELOW 5% C.R.V.  
 INSULATION RESISTANCE ----- 1000 MEGA OHMS @ 500VDC.  
 DIELECTRIC STRENGTH ----- 1 MINUTE AT 500 VAC  
 MAX. WIPER OUTPUT ----- 1 mA RECOMMENDED, 5 mA MAX.  
 SWITCH ----- LIFE EXPECTANCY: 200,000 OPERATIONS.  
 RATED AT 125 V.A.C./5 AMP

MECHANICAL

RANGE OF OPERATING LEVER ----- ±30° ~ ±35° BI-DIRECTIONAL FROM CENTER.  
 OPERATING FORCE FOR X AND Y DIR. ----- APPROX. 10.79 ~ 53.95 OZ-F.  
 OPERATING TEMPERATURE ----- -20°C TO +65°C  
 LIFE EXPECTANCY ----- 5 MILLION OPERATIONS  
 WEIGHT ----- APPROX. 11 OZ.

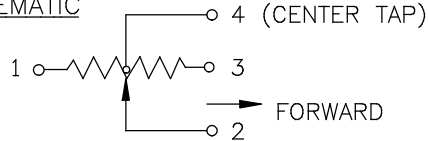
MATERIALS

HOUSING ----- ALUMINUM.  
 ELEMENT ----- CONDUCTIVE PLASTIC  
 KNOB ----- HARD PLASTIC

OPTIONS

2 OR 3 DIMENSIONAL LEVER OPERATION.  
 OTHER RESISTANCE AVAILABLE.  
 FRICTION HOLD IN LIEU OF SPRING RETURN.

SCHEMATIC



SWITCHING EVENTS

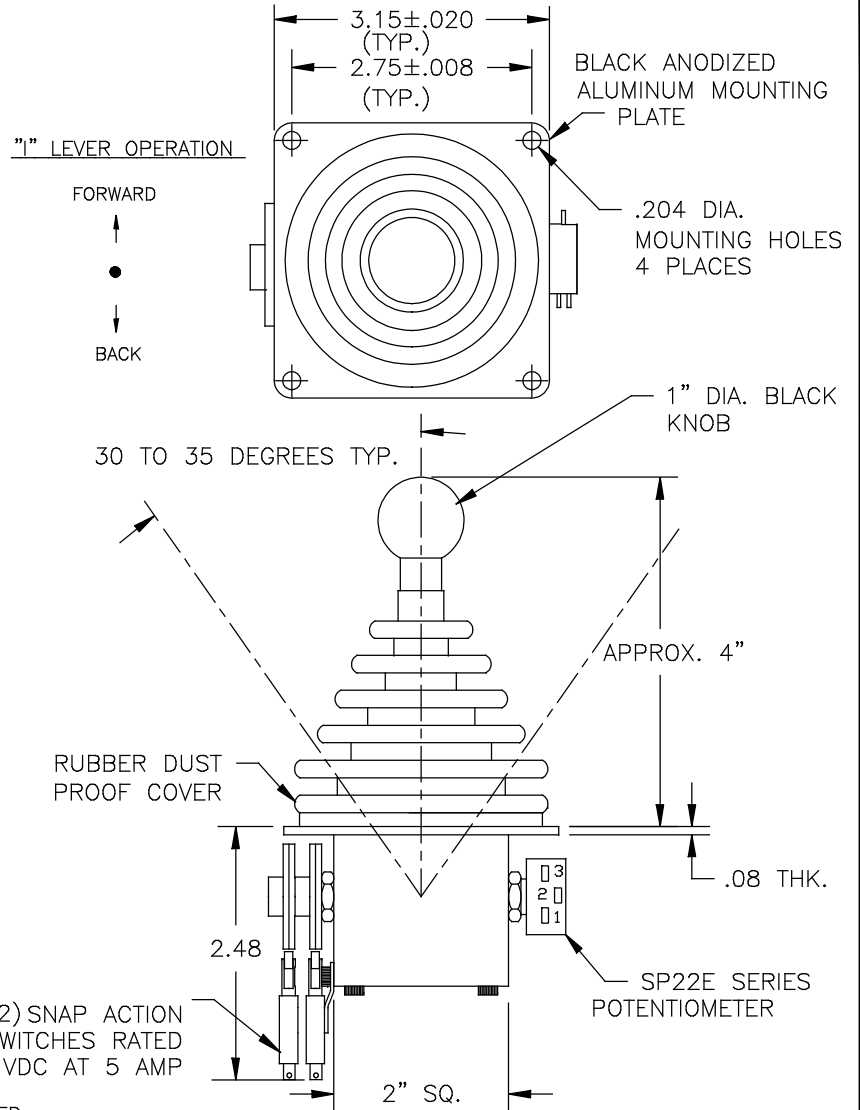
FORWARD SWITCH 'ON' (OFF WHEN BACK OR CENTER)  
 BACK SWITCH 'ON' (OFF WHEN FORWARD OR CENTER)

NOMENCLATURE

J50-I R 1T 2-S M B

- I RUBBER BOOT. (LEAVE BLANK IF NOT DESIRED)
- R MOUNTING PANEL
- 1T SPRING RETURN. (LEAVE BLANK IF NOT DESIRED)
- 2 No. OF SWITCHES. (6 POSSIBLE)
- S No. OF POTENTIOMETERS. (3 POSSIBLE). 'T' FOR CENTER TAPPED
- M HANDLE DESIGN
- B LEVER DIRECTION
- JOYSTICK SERIES

REV.	BY	DATE	P/N J50-IR1T2-SMB
A	BT	6-14-99	REVISED SWITCH TEXT



SCALE	DATE: 03-17-00
NONE	BY BT
CODE	APPRV'D BT
IDENT:	19477



ETI SYSTEMS  
 CARLSBAD CALIFORNIA

TITLE	JOYSTICK
-------	----------

PART NO.	J50-IR1T2-SMB
----------	---------------