

ELECTRICAL SPECIFICATIONS

CURRENT CONSUMPTION ----- APPROX. 6mA
 APPLIED VOLTAGE ----- 5V DC ±10%
 LINEARITY (INDEPENDENT) ----- ±3.0%
 LOAD RESISTANCE ----- 100K OHM MIN.
 LEVER ELECTRICAL ANGLE X,Y AXIS ----- 30° MAX.
 LEVER ELECTRICAL ANGLE Z AXIS ----- 60° MAX.
 RESOLUTION ----- ESSENTIALLY INFINITE
 OUPUT TEMPERATURE CHARACTERISTIC ----- BELOW ±2.5% V(OUT)
 INSULATION RESISTANCE ----- OVER 100 MEGA OHMS @ 250VDC.
 DIELECTRIC STRENGTH ----- 1 MINUTE AT 250 VAC
 DRIFT AT CENTER POSITION ----- BELOW ±0.5% V(OUT)
 EMC IMMUNITY ----- 50V/m (80MHZ-1GHZ SINE WAVE)

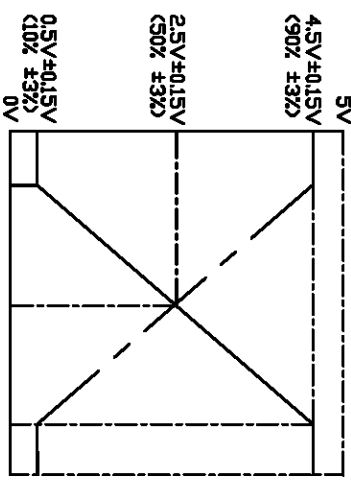
MECHANICAL

RANGE OF OPERATING X,Y AXIS ----- ±15° FROM CENTER
 RANGE OF OPERATING X,Y AXIS ----- ±30° FROM CENTER
 OPERATING FORCE X,Y AXIS ----- APPROX. 5.39 ~10.79 OZ.FORCE
 OPERATING FORCE Z AXIS ----- APPROX. 1.39 ~4.16 OZ./IN FORCE
 OPERATING TEMPERATURE ----- -20°C TO +60°C
 LIFE EXPECTANCY ----- 1 MILLION OPERATIONS
 VIBRATION ----- 10G @ 55HZ
 SHOCK ----- 30G

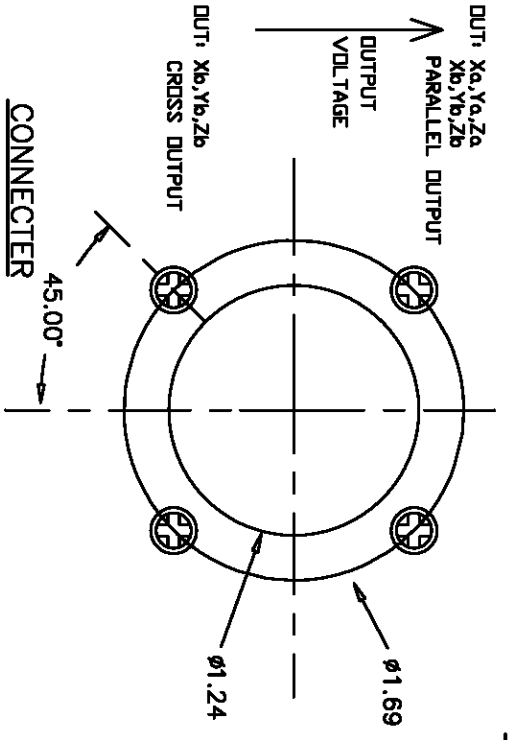
MATERIALS

HOUSING ----- HIGH TEMP. THERMO PLASTIC
 INGRESS PROTECTION ----- IP54

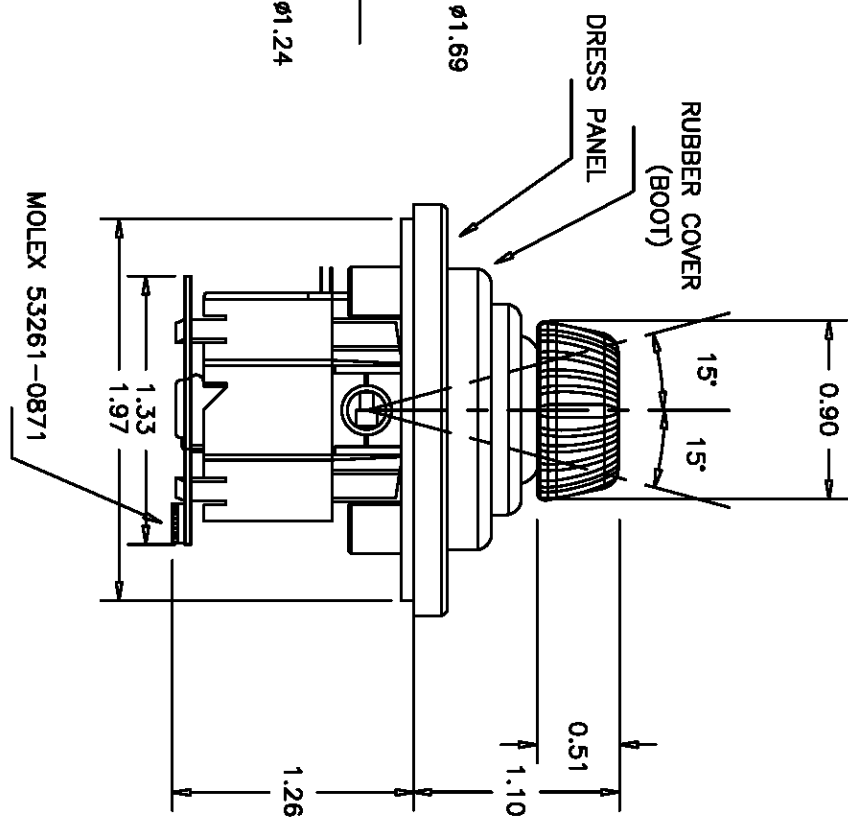
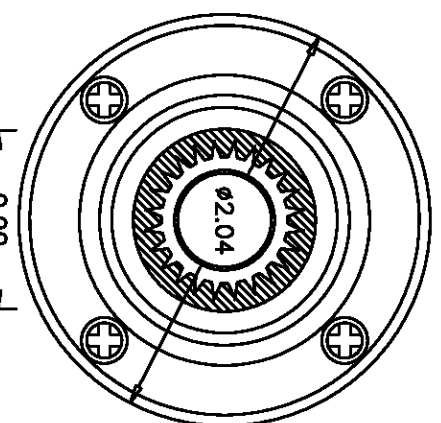
SCHEMATIC



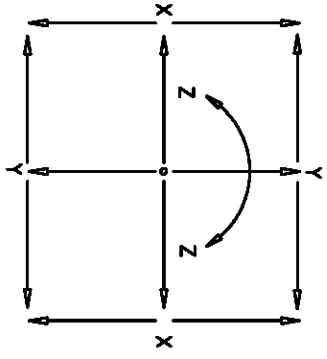
PANEL ARRANGEMENT



REV.	BY	DATE	P/N	J30H-XYZ-B

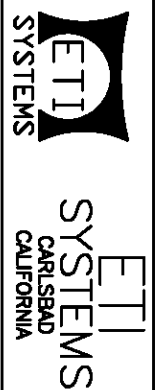


LEVER OPERATION



SCALE	DATE: 7/01/04
NONE	BY: AT
CODE IDENT: 19477	APPRVD

MOLEX 51021-0800



TITLE
 HALL EFFECT JOYSTICK

PART NO.
 J30H-XYZ-B