



[Home Page](#)

[Linear Potentiometers](#)

[Single-Turn Potentiometers](#)

[Multi-Turn Potentiometers](#)

[Turn-Counting Dials](#)

[Industrial Joystick Controls](#)

[Industrial Foot Controllers](#)

[Valve Actuators](#)

[ROHS/WEEE](#)

[Cross Reference](#)

[ETI Systems Sales Reps](#)

[ETI Systems Distributors](#)

phone: 760.929.0749

eti@etisystems.com

DC27 Concentric Precision Turns Counting Dial



DC27 Concentric Turns Counting Dial

- Counts 10 turns (000 to 999 counts)
- Accuracy: $\pm 0.35\%$ of Voltage Ratio
- Repeatability: $\pm 0.02\%$ or Resolution of Pot
- High Temp. Black Plastic Housing.
- Over the Center Lock Available.
- Diameter - 1-1/16"; Extension from Panel - 1.24"
- Operating Temperature -30°C to +85°C

Request For Quotation (Requires User Registration)

Available Options:

Shaft Size

Over Center Lock (standard)

Comments & Special Requirements:

Quantity Required

Date Required

**Engineering
Drawing (PDF)**

Return to: [Turn-Counting Dials Selection Guide](#)

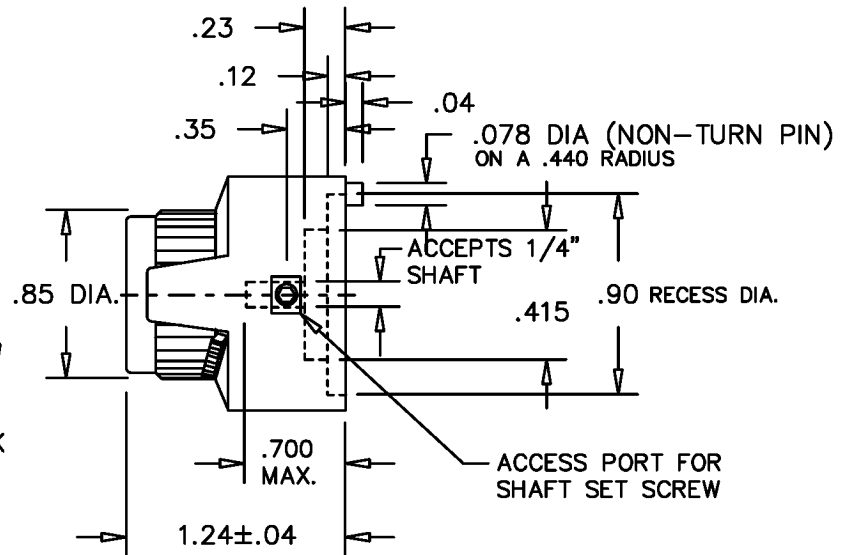
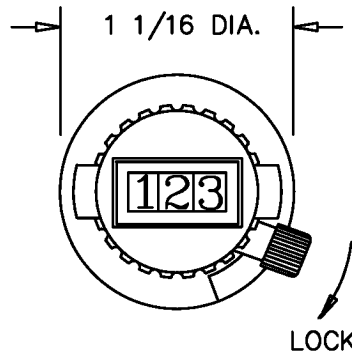
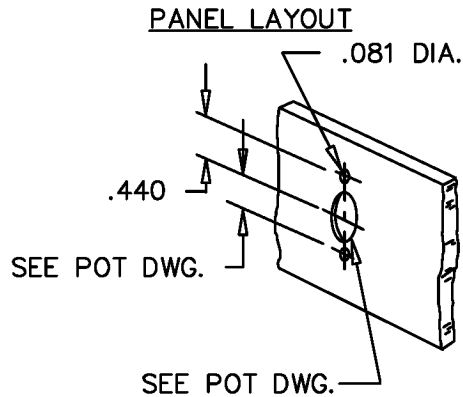
Call ETI Systems at **(760)929-0749** to order by phone
or for assistance with your custom application

THIS DOCUMENT CONTAINS PROPRIETARY DATA OF POLARIS INDUSTRIAL ENTERPRISES, INC. NO DISCLOSURE, REPRODUCTION, OR USE OF ANY PART THERE OF MAY BE MADE EXCEPT BY WRITTEN PERMISSION.

REV.	BY	DATE	APPRVL.	P/N	DC27
C	DMS	3/23/98	BT	ADDED SHAFT CHART	

SPECIFICATIONS

ACCURACY ----- ±0.35% OF VOLTAGE RATIO
 REPEATABILITY ----- ±0.02% OR RESOLUTION OF POT
 OPERATING TEMPERATURE RANGE ----- -30°C TO 85°C
 TURNS ----- 10 (000 TO 999 COUNTS)
 LOCK ----- OVER THE CENTER
 HOUSING MATERIAL ----- HIGH TEMP. BLACK PLASTIC



PART #	SHAFT DIA.	LOCKING UNIT
DC27L-1/4	0.250	YES
DC27N-1/4	0.250	NO
DC27L-1/8	0.125	YES
DC27N-1/8	0.125	NO
DC27L-6mm	6mm	YES
DC27N-6mm	6mm	NO
DC27L-3mm	3mm	YES
DC27N-3mm	3mm	NO

NOTES

- COMPATIBLE ETI SYSTEMS POTENTIOMETERS 3 TO 30 TURNS.
 MW20B MW46B MH20B
 MW22B MR46B MH46B
- POT/DIAL COMBINATIONS AVAILABLE
 SEE ETI SPECIFICATION DC22.
- OTHER SHAFT SIZE BUSHINGS AVAILABLE
- NUMBERS INCREASE WITH CLOCKWISE ROTATION

TOLERANCES XX = +/- .010" FRACT. = +/- 1/64" XXX = +/- .005" ANGLES = +/- 1/2" ALL SPECIFICATIONS SUBJECT TO CHANGE WITHOUT NOTICE.	SCALE	DATE: 3/18/98	ETI SYSTEMS CARLSBAD CALIFORNIA	TITLE	PART NO. DC27
	N/A	BY DMS		TURN COUNTING DIAL	
		APPRV'D BT			
	CODE IDENT: 19477				