

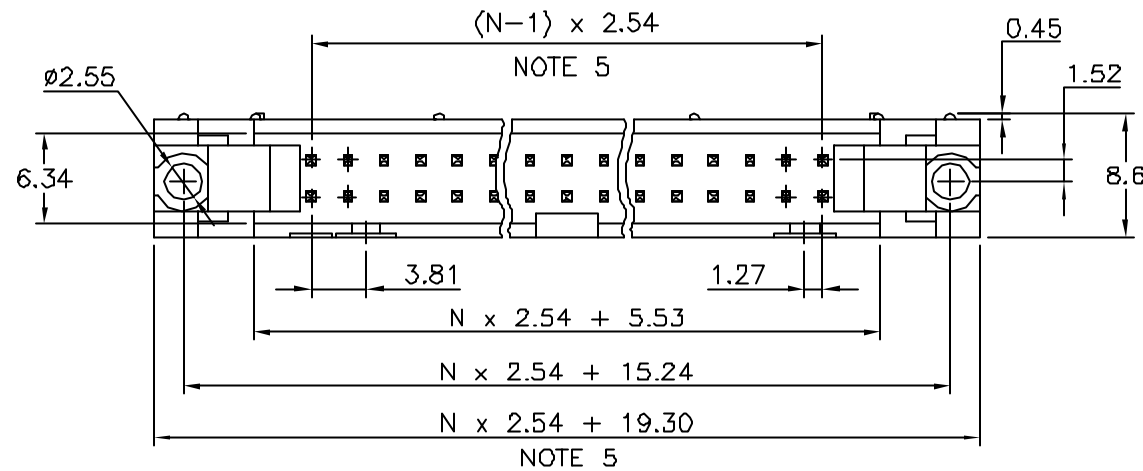
PRODUCT NUMBER

71918-YXXLF

WHEN REQUIRED, ADD SUFFIX LETTER "LF"  
INDICATES THE PRODUCT IS RoHS  
COMPATIBLE, SEE NOTE 10

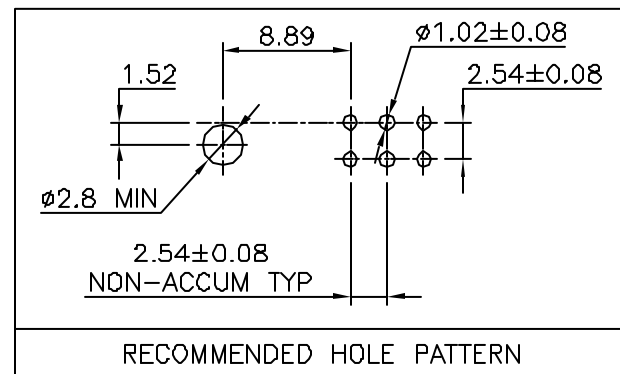
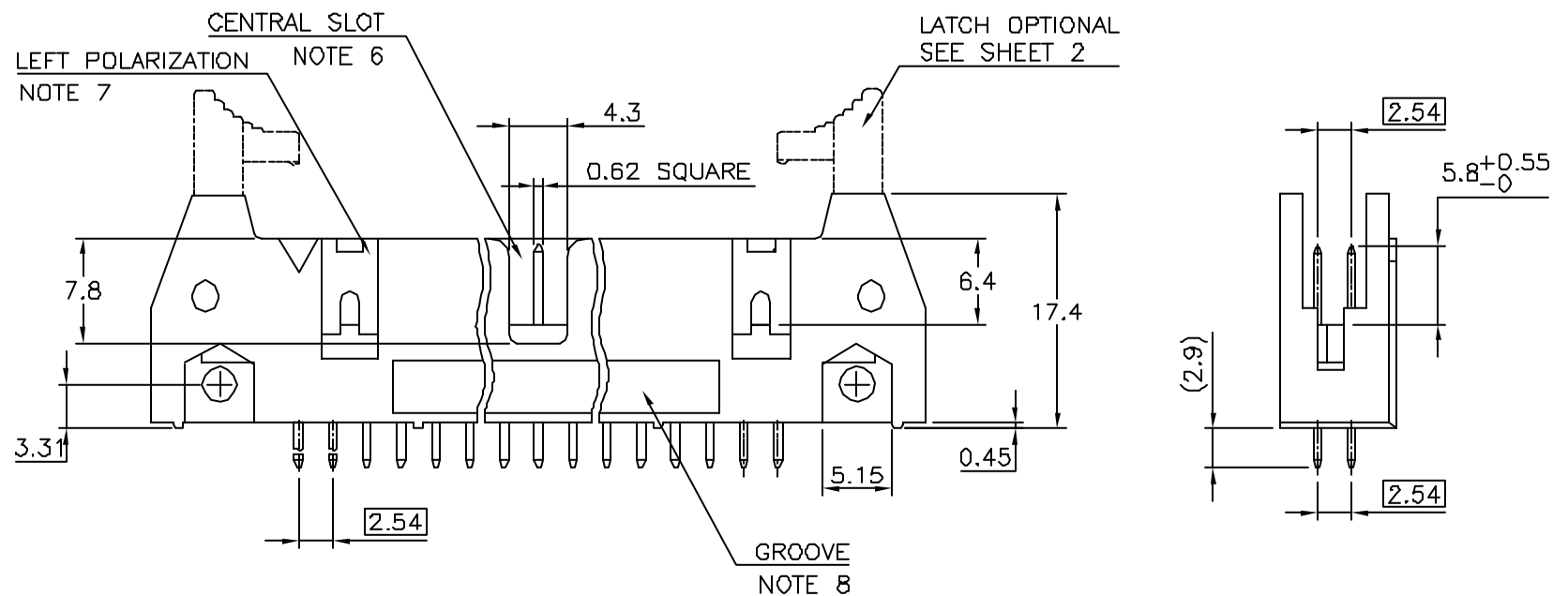
TOTAL NB OF POSITIONS, SEE SHEET 2

LATCHING  
0= WITHOUT LATCH  
1= STANDARD LATCH  
2= LOW PROFILE LATCH



NOTES:

- 1 - HOUSING MAT'L : GLASS FILLED THERMOPLASTIC. UL94V-0 COLOR: GREY
- 2 - PIN MATERIAL : PHOSPHOR BRONZE
- 3 - PRODUCT PACKAGED IN TUBES
- 4 - 40N MIN LATCH RETENTION FORCE AT FIRST EXTRACTION
- 5 - TO DETERMINE DIMENSIONS :  
N = NUMBER OF POSITIONS PER ROW  
EXAMPLE : 8 POS  $N \times 2.54 = 20.32\text{mm}$
- 6 - NO CENTRAL SLOT ON POSITIONS 6 & 8
- 7 - NO LEFT POLARIZATION ON POSITIONS 06, 08, 10, 14.
- 8 - NO GROOVE ON POSITIONS 06, 08, 10, 14, 30, 34
- 9 - 4.5mm SOLDER TAIL  
ORDER 71918-4XX (WITH STANDARD LATCH ONLY)
- 10 - RoHS COMPATIBLE PRODUCT SPECIFICATIONS
  - a - PLATING:
    - "LF" MEANS THE PRODUCT IS LEAD-FREE, 2 $\mu\text{m}$  MINIMUM MATTE TIN OVER 1.27 $\mu\text{m}$  MINIMUM NICKEL UNDERPLATE.
  - b - MANUFACTURING PROCESS COMPATIBILITY
    - THE HOUSING WILL WITHSTAND EXPOSURE TO 260°C  $\pm$ 5°C SOLDER BATH TEMPERATURE FOR 5 SECONDS IN A WAVE SOLDER APPLICATION WITH A 1.6mm MIN THICK CIRCUIT BOARD.
  - c - LABELING:
    - MEETS PACKAGING SPECS AS PER GS-14-920
  - d - LEGAL STATEMENT: SEE GS-22-008.



mat'l. code		surface	tolerance	projection	product family
SEE NOTES		ISO 1302	ISO 406 ISO 1101		QUICKIE
Ltr	ecn no	dr	date	tolerances unless otherwise specified	title
R	F04-0198	LMU	04.05.28	angles linear	SHR.EL.HEADER
S	F04-0389	LMU	04.12.20	.X $\pm 0.3$	STR DR TMT
T	F06-0229	LMU	06.07.17	.XX $\pm 0.13$	
U	F07-0195	LMU	07.05.25	.XXX $\pm 0.05$	scale 2:1
		dr	D.LE	01.01.24	dwg no
		enr	JM.C	01.01.24	sheet 1 of 2
		chr	JF.N	01.01.24	size
		appd	JM.C	01.01.24	A3
sheet		revision	U	R	type
index		sheet	1	2	CUSTOMER Drawing

CORE RANGE

LATCHING	NUMBER OF POSITIONS
1	06
1	08
1	10
1	14
1	16
1	18
1	20
1	26
1	30
1	34
1	40
1	44
1	50
1	60
1	64

CATALOGUE RANGE

LATCHING	NUMBER OF POSITIONS
0/2	06
0/2	08
0/2	10
0/2	14
0/2	16
0/2	18
0/2	20
0/2	26
0/2	30
0/2	34
0/2	40
0/2	44
0/2	50
0/2	60
0/2	64

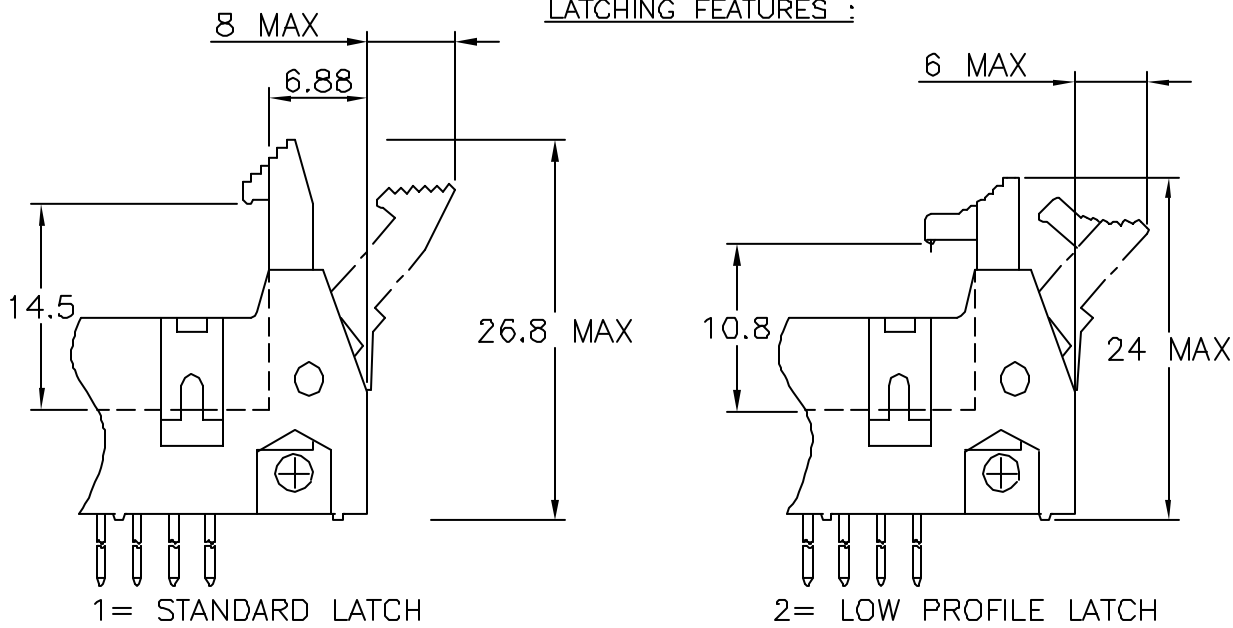
PLATING :

- 0.76µm GOLD OR 0.76µm GXT (PdNi WITH GOLD FLASH) ON CONTACT AREA
- 3.81µm TIN-LEAD ON TAIL
- UNDERPLATE : 1.27µm Ni MIN
- WHEN SUFFIX LETTER "LF" IS REQUIRED, 2µm MIN MATTE TIN OVER 1.27µm MIN NICKEL IS PROVIDED INSTEAD OF TIN-LEAD

PLATING :

- 0.76µm GOLD OR 0.76µm GXT (PdNi WITH GOLD FLASH) ON CONTACT AREA
- 3.81µm TIN-LEAD ON TAIL
- UNDERPLATE : 1.27µm Ni MIN
- WHEN SUFFIX LETTER "LF" IS REQUIRED, 2µm MIN MATTE TIN OVER 1.27µm MIN NICKEL IS PROVIDED INSTEAD OF TIN-LEAD

LATCHING FEATURES :



mat'l. code		surface		tolerance		projection		product family	
		ISO 1302 ✓		ISO 406 ISO 1101		mm		QUICKIE	
Ltr	ecn na	dr	date	tolerances unless otherwise specified				title	
R	F07-0195	LMU	07.05.25	angles	Linear			SHR.EL.HEADER STR DR TMT	
						scale 2:1		dwg no	
K	F10149	LMU	01.02.22					71918	
L	F10309	DLE	01.05.10	dr	D.LE			sheet 2 of - size	
M	F04-0176	LMU	04.04.22	enr	JM.C			A3	
N	F04-0389	LMU	04.12.22	chr	JF.N			type	
P	F06-0229	LMU	06.07.17	appd	JM.C			CUSTOMER Drawing	
sheet index		revision sheet							



Copyright FCI