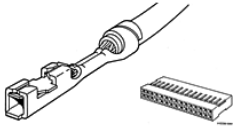


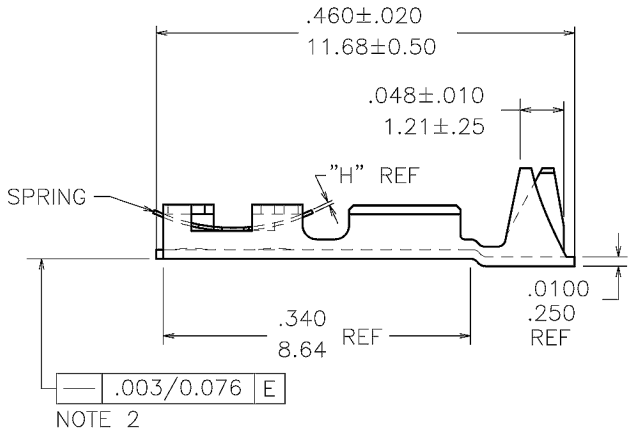
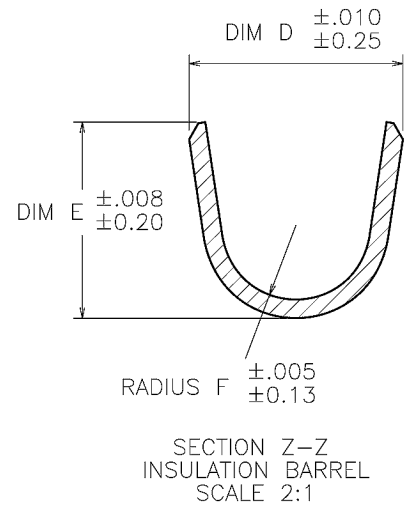
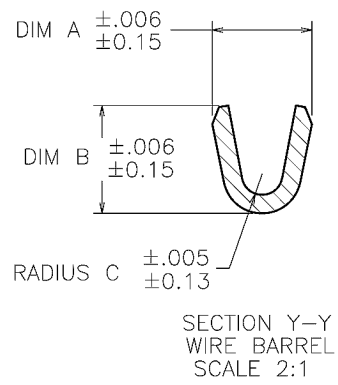
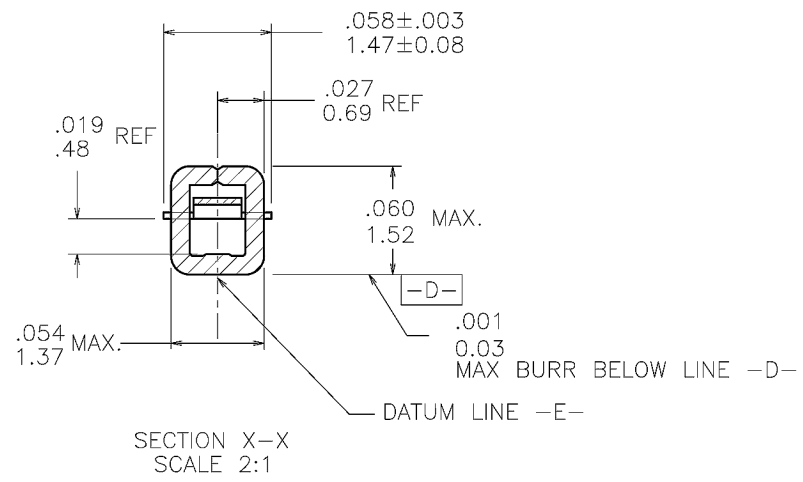
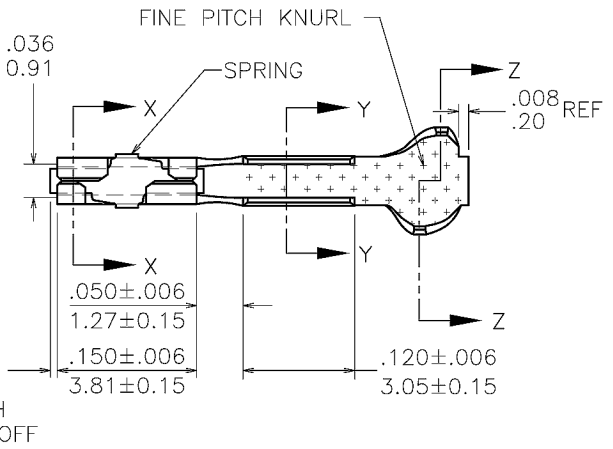
**48254-000LF - Mini-PV™, Basics+ : 2.54 mm (0.1 in.)  
Centerline Crimp-to-Wire Receptacle**



**Specifications**

<b>General</b>	
<b>Product Type</b>	Crimp-to-Wire Contact
<b>Number of contacts (per housing)</b>	10-50
<b>Mating half</b>	Mates with most 2.54 mm (0.1 in.) Centerline Products with 0.64 mm (0.025in.) Square or Round Pins
<b>Dimensional</b>	
<b>Size (Wire)</b>	22 to 26 AWG
<b>Height (Crimp)</b>	0.81 - 0.86 mm (0.032 - 0.034 in.)
<b>Size Insulation OD (Discrete contact)</b>	0.91 mm (0.036 in.) to 2.62 mm (0.103 in.)
<b>Size Insulation OD (Latch housing application)</b>	0.91 mm (0.036 in.) to 1.52 mm (0.06 in.)
<b>Thickness (Spring)</b>	0.122 mm (0.0048 in.)
<b>Electrical</b>	
<b>Current rating</b>	3A Continuous
<b>Resistance (Contact)</b>	15 M-ohms max.
<b>Resistance (Insulation)</b>	5000 M-ohms
<b>Voltage rating</b>	1000V rms
<b>Mechanical</b>	
<b>Insertion force</b>	4.41N (450 gf)
<b>Withdrawal Force</b>	0.75N (75 gf)
<b>Spring force</b>	High
<b>Physical</b>	
<b>Material (Contact)</b>	Copper Alloy
<b>Plating (Contact area)</b>	0.38 µm (15 µin.) Gold
<b>Humidity Range</b>	10% to 95%
<b>Underplating</b>	1.27 µm (50 µin.) Nickel
<b>Material (Spring)</b>	Copper Alloy
<b>Temperature (Range)</b>	-65°C to +125°C
<b>Approvals / Certifications</b>	
<b>Approvals / Certifications</b>	UL and CSA Approved
<b>Other Features</b>	
<b>Accessory</b>	Ratcheting Hand Crimping Tool: Part Number HT-0095
<b>Packaging (Type)</b>	Box
<b>Comments</b>	PV™ Contact Removal Tool: Part Number HT-0080

PRODUCT NUMBER  
SEE SHEET 3



mat'l. code				surface	tolerance	projection	product family	
SEE TABLE				<input checked="" type="checkbox"/>			PV TERMINALS	
lir	ecn no	dr	date	tolerances unless otherwise specified			title	
AG	v07-0218	HTB	2007-03-16	angles	linear	$.XX \pm .01 / X \pm .3$	MINI PV™ RECEPTACLE CRIMP TO WIRE	
AH	v08-0113	HTB	2008-03-28			$.XXX \pm .005 / .XX \pm .13$		
AJ	F08-0159	HTB	2008-04-16			$.XXX \pm .0020 / .XXX \pm .051$	scale 5:1	
AK	F08-0189	HTB	2008-06-25	dr	T. BREWBAKER	2006-04-18	dwg no	
				engr	T. BREWBAKER	2006-04-18	sheet 1 of 6	
AE	v06-0197	HTB	2006-03-03	chr	T. BREWBAKER	2006-04-18	size	
AF	v06-0303	HTB	2006-04-18	appd	T. BREWBAKER	2006-04-18	A3	
sheet	revision	AK	AK	AK	AK	AK	47212	
index	sheet	1	2	3	4	5		6
							type	Product Customer Drawing

PRODUCT NUMBER SEE SHEET 3	AWG	WIRE BARREL			INSULATION BARREL			
	RANGE	DIM A	DIM B	RADIUS C	INSULATION DIAMETER RANGE	DIM D	DIM E	RADIUS F
	18-20	.104/2.64	.104/2.64	.021/.53	.042/1.07-.103/2.62	.139/3.53	.120/3.05	.050/1.27
	22-26	.070/1.78	.070/1.78	.017/.43	.036/.91-.103/2.62	.139/3.53	.120/3.05	.050/1.27
	28-32	.054/1.37	.058/1.47	.011/.28	.028/.71-.054/1.37	.115/2.92	.105/2.67	.040/1.02

NOTES:

1. TERMINAL MATES WITH  $.025 \pm .002 / 0.64 \pm 0.05$  SQUARE OR ROUND PIN.
- ② WHEN MEASURED ALONG DATUM -E- WITHIN  $.340 / 8.64$  REF DIM.
3. PRODUCT SPECIFICATION: BUS-12-067.  
APPLICATION SPECIFICATIONS:  
TA-75: TERMINAL DATA FOR USE WITH MINI LATCH HOUSING.  
TA-146: TERMINAL DATA FOR CONTACTS NOT USED IN HOUSINGS.  
TA-210: TERMINAL DATA FOR CONTACTS USED WITH MINI ROD HOUSINGS.  
TA-228: APPLICATIONS USING 20 AWG WIRE.  
TA-531: INSTALLING AND REMOVING TERMINALS.
- ④ PRODUCT MEETS EUROPEAN UNION DIRECTIVES AND OTHER COUNTRY REGULATIONS AS DESCRIBED IN GS-22-008.
5. THIS PRODUCT IS NOT INTENDED TO BE EXPOSED TO MANUFACTURING SOLDERING PROCESSES.
- ⑥ THIS PRODUCT HAS 100% TIN PLATING IN THE INTERFACE AND HAS NOT BEEN TESTED FOR WHISKER GROWTH IN ALL INTERCONNECT ENVIRONMENTS.



mat'l. code SEE TABLE				surface <input checked="" type="checkbox"/>	tolerance	projection	product family PV TERMINALS	
ltr	ecm no	dr	date	tolerances unless otherwise specified		INCH/MM scale 1:1	title MINI PV™ RECEPTACLE CRIMP TO WIRE	
AK				angles	linear		FCJ	dwg no 47212
								sheet 2 of 6
				dr	T. BREWBAKER 2006-04-18		type Product Customer Drawing	
				engr	T. BREWBAKER 2006-04-18			
				chr	T. BREWBAKER 2006-04-18			
				appd	T. BREWBAKER 2006-04-18			
sheet index	revision sheet							

MATERIAL & PLATING		SPRING THICKNESS DIM H±.0005/0.012	AWG RANGE	REELED NOTE 4	LOOSE NOTE 4	PLATING AVAILABILITY								
1/4 HARD BRASS BODY	Be/Cu SPRING					-000	-000LF	-001	-001LF	-002	-002LF			
UNDERPLATING: 50μ"/1.27μ Ni CONTACT AREA: 15μ"/0.38μ Au INSIDE BOX AREA: -000LF Au FLASH -001LF 15μ"/0.38μ Au -002LF 6μ"/0.15μ Au REMAINDER: -000LF Au FLASH -001LF 15μ"/0.38μ Au -002LF Au FLASH	Au FLASH	.0035/0.089	18-20	48241	48250	NO	YES	NO	NO	NO	NO			
			22-26	48242	48251	NO	YES	NO	NO	NO	NO			
			28-32	48243	48252	NO	YES	NO	NO	NO	NO			
		.0048/0.122		18-20	48244	48253	NO	YES	NO	NO	NO	NO		
				22-26	48245	48254	NO	YES	NO	NO	NO	NO		
				28-32	48246	48255	NO	YES	NO	NO	NO	NO		
		.0058/0.147		18-20	94011	94014	NO	NO	NO	NO	NO	NO	OBS.	
				22-26	94012	94015	NO	NO	NO	NO	NO	NO	OBS.	
				28-32	94013	94016	NO	NO	NO	NO	NO	NO	OBS.	
		.0065/0.165		18-20	48247	48256	NO	YES	NO	NO	NO	NO		
				22-26	48248	48257	NO	YES	NO	NO	NO	NO		
				28-32	48249	48258	NO	YES	NO	NO	NO	NO		
UNDERPLATING: 50μ"/1.27μ Ni CONTACT AREA: 30μ"/0.76μ Au INSIDE BOX AREA: -000LF Au FLASH -001LF 30μ"/0.76μ Au -002LF 8μ"/0.2μ Au REMAINDER: -000LF Au FLASH -001LF 30μ"/0.76μ Au -002LF Au FLASH	Au FLASH	.0035/0.089	18-20	48231	48266	NO	YES	NO	NO	NO	NO			
			22-26	48049	48235	NO	YES	NO	NO	NO	NO	YES		
			28-32	48048	48238	NO	YES	NO	NO	NO	NO	YES		
		.0048/0.122		18-20	48047	48232	NO	YES	NO	NO	NO	NO	YES	
				22-26	48046	48234	NO	YES	NO	NO	NO	NO	YES	
				28-32	48045	48237	NO	YES	NO	NO	NO	NO	YES	
		.0058/0.147		18-20	94017	94019	NO	NO	NO	NO	NO	NO	NO	OBS.
				22-26	94018	94020	NO	NO	NO	NO	NO	NO	NO	OBS.
				28-32	93259	94021	NO	NO	NO	NO	NO	NO	NO	OBS.
		.0065/0.165		18-20	48052	48233	NO	YES	NO	NO	NO	NO	YES*	
				22-26	48051	48236	NO	YES	NO	NO	NO	NO	YES	
				28-32	48050	48239	NO	YES	NO	NO	NO	NO	YES	

\* LOOSE PIECE NOT AVAILABLE



mat'l. code SEE TABLE				surface <input checked="" type="checkbox"/> tolerance		projection		product family PV TERMINALS		
ltr	ecn no	dr	date	tolerances unless otherwise specified		INCH/MM		title		
AK				angles	linear	.XX±.01/.X±.3 .XXX±.005/.XX±.13 XXX±.0020/XXX±.051		MINI PV™ RECEPTACLE CRIMP TO WIRE		
				dr	T. BREWBAKER	2006-04-18	scale 1:1		dwg no	
				engr	T. BREWBAKER	2006-04-18	sheet 3 of 6		size	
				chr	T. BREWBAKER	2006-04-18	FCI		47212	A3
				appd	T. BREWBAKER	2006-04-18	type		Product Customer Drawing	
sheet index	revision sheet									