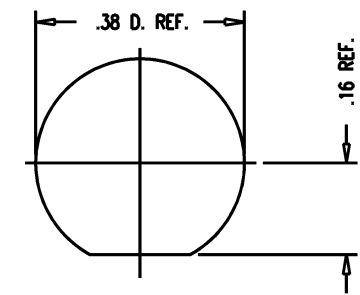
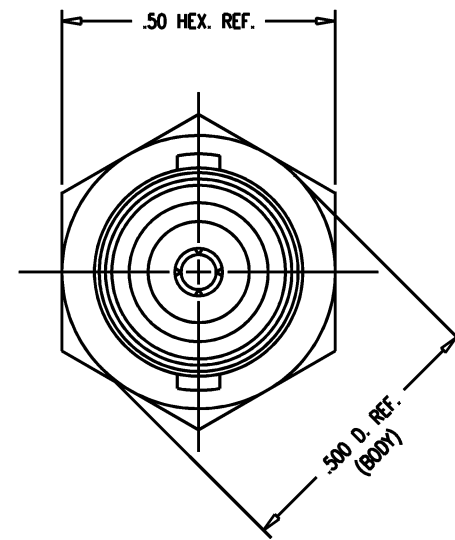
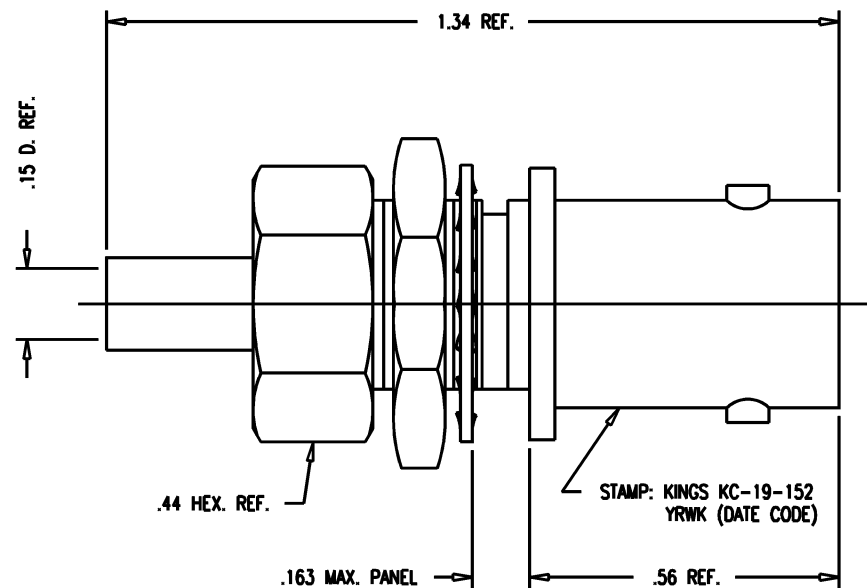


DASH NO.	M CODE	MADE FROM
----------	--------	-----------

GSD

KC-19-152



MOUNTING HOLE

GSD

REVISIONS	
ISSUE	CHANGES
4	CN 33608 C REDRAWN JCA 12/18/91
5	CN 34589 E JCA 04/19/93
6	CN 35657 B KH 07/20/94
7	CN 39182 D JPK 10/12/04
8	CN 39807 C HVN 02/22/07

- NOTES:
- FOR USE WITH RG-174, 179, 187, 188 & 316/U CABLE.
 - FOR CABLING INSTRUCTIONS SEE CP-430.
 - FOR CRIMPING USE DIE KTH-2024.
 - INTERFACE PER MIL-STD-348, FIG. 301-2.
 - MATERIALS:
 - INSULATORS: TEFLON, ASTM-D-4894
 - K-GRIP SLEEVE: COM. BRONZE, ASTM-B-135
 - LOCKWASHER: PHOS. BRONZE, QQ-B-750
 - CENTER CONTACT: BER. COP., ASTM-B-196
 - ALL OTHER PARTS: BRASS, ASTM-B16-H02
 - FINISHES:
 - CENTER CONTACT: GOLD PLATE PER ASTM-B-488
 - ALL OTHER METAL PARTS: KINGS TARNISH RESISTANT FINISH (TR-5)
 - ELECTRICAL CHARACTERISTICS:
 - NOMINAL IMPEDANCE: 50 OHMS
 - VOLTAGE RATING: 500 VRMS
 - FREQUENCY RANGE: DC TO 4 GHz

KC-19-152 SD

SCALE 4:1

APPROX SURFACE AREA

USED ON

REF:

JACK, BULKHEAD, BNC

DRAWN	JCA	DATE	12/18/91
-------	-----	------	----------

DESIGN	MJB	DATE	12/19/91
--------	-----	------	----------

APPR.		DATE	
-------	--	------	--

KINGS
ELECTRONICS CO., INC.
ROCK HILL, SOUTH CAROLINA 29730

KC-19-152