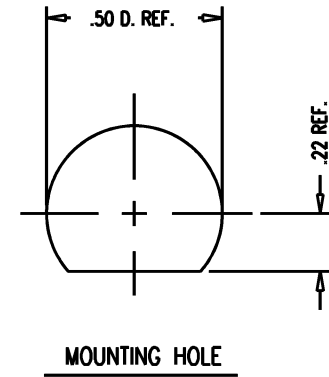
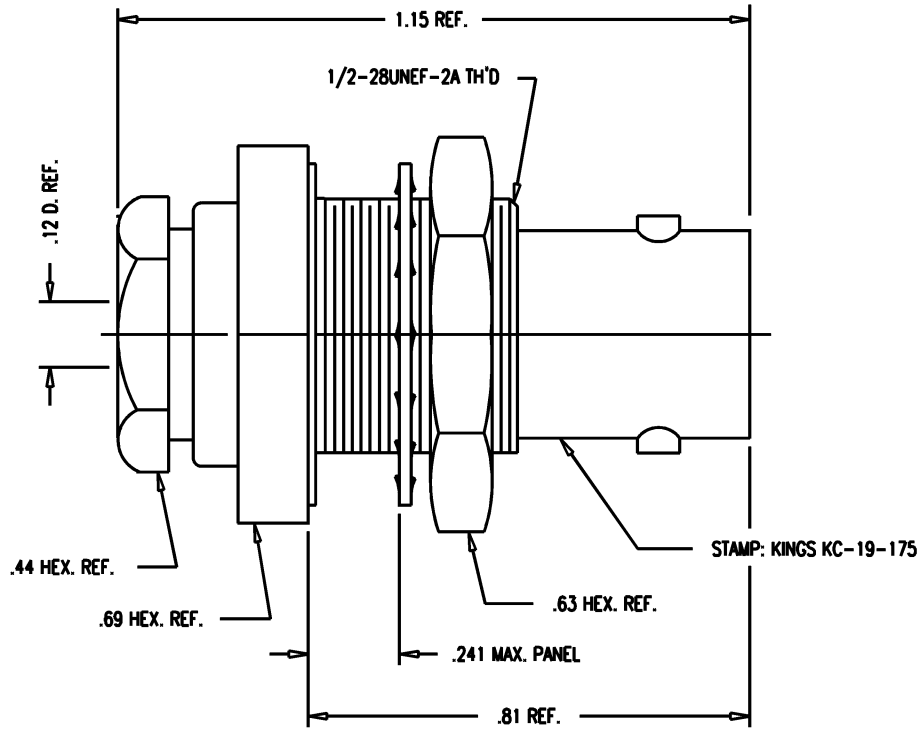


DASH NO.	M CODE	MADE FROM
----------	--------	-----------

# GSD

KC-19-175

REVISIONS	
ISSUE	CHANGES
3	CN 37183 A REDRAWN KH 11/17/96



- NOTES:
- FOR USE WITH RG-174, 179, 187, 188 CABLES.
  - FOR CABLING INSTRUCTIONS SEE CP-1004.1
  - INTERFACE PER MIL-STD-348, FIG. 301-2.
  - MATERIALS:
    - INSULATORS: TEFLON, ASTM-D-4894
    - LOCKWASHER: PHOSPHOR BRONZE, ASTM-B-103
    - GASKETS: SILICONE RUBBER, ZZ-R-765
    - CENTER CONTACT: BER. COPPER, ASTM-B-196
    - ALL OTHER METAL PARTS: BRASS, ASTM-B16
  - FINISHES:
    - CENTER CONTACT: GOLD PLATE PER MIL-G-45204
    - ALL OTHER METAL PARTS: KINGS TARNISH RESISTANT NICKEL FINISH (TR-5)
  - ELECTRICAL CHARACTERISTICS:
    - NOMINAL IMPEDANCE: 50 OHMS
    - WORKING VOLTAGE: 500 VRMS
    - FREQUENCY RANGE: DC TO 4 GHz.

KAM6880

SCALE	4:1
APPROX SURFACE AREA	
USED ON	
REF:	GRUMMAN GC811EN2 REV. A

JACK, BULKHEAD, BNC

DRAWN	KH	04/27/96
DESIGN	LI	04/27/96
APPR.		DATE

**KINGS**  
ELECTRONICS CO., INC.  
TUCKAHOE, NEW YORK 10707

KC-19-175

# GSD