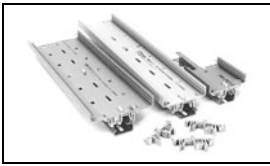


6TK2-48 Product Details

[Share](#) [Print](#) [Email](#)



6TK2-48
(5-1437685-0)
TE Internal Number: 5-1437685-0
 Active

Terminal Block Interface Modules & Accessories

Always EU RoHS/ELV Compliant (Statement of Compliance)

Product Highlights:

- Accessory
- Accessory Type = SNAPTRACK Channel
- Track Width = 105.40 mm
- Track Length = 1219.20 mm
- PC Board Width = 101.60 mm

[View all Features](#)

Quick Links

- ▶ [Pricing & Availability](#)
- ▶ [Search for Tooling](#)
- ▶ [Product Feature Selector](#)
- ▶ [Contact Us About This Product](#)

[Add to My Part List](#) [Request Sample](#) [Find Similar Products](#) [Buy Product](#)

Documentation & Additional Information

Product Drawings:

- [6TK2-48 SNAPTRACK](#) (PDF, English)

Catalog Pages/Data Sheets:

- [BUCHANAN TERMINAL BLOCKS - INTERFACE MODULE SYSTEMS](#) (PDF, English)

Product Specifications:

- None Available

Application Specifications:

- None Available

Instruction Sheets:

- None Available

CAD Files:

- None Available

Additional Information:

- [Product Line Information](#)

Related Products:

- [Tooling](#)

[List all Documents](#)

Product Features (Please use the Product Drawing for all design activity)

Product Type Features:

- Product Type = Accessory
- Accessory Type = SNAPTRACK Channel

Electrical Characteristics:

- Track Width (mm [in]) = 105.40 [4.150]

Dimensions:

- PC Board Width (mm [in]) = 101.60 [4.000]

Body Features:

- Track Length (mm [in]) = 1219.20 [48.000]

Industry Standards:

- [RoHS/ELV Compliance](#) = RoHS compliant, ELV compliant
- [Lead Free Solder Processes](#) = Not relevant for lead free process
- [RoHS/ELV Compliance History](#) = Always was RoHS compliant

Other:

- Brand = Buchanan

Corporate Information

[About TE](#)
[Investors](#)
[News Room](#)
[Supplier Portal](#)
[Careers](#)
[Terms & Conditions](#)
[Privacy Policy](#)

Quick Links

[Distributor Inventory](#)
[Product Cross Reference](#)
[Documents & Drawings](#)
[Product Compliance Support Center](#)
[Site Map](#)

Customer Support

[Email or Chat With Us](#)
[Find a Phone Number](#)
[Knowledge Base](#)
[Manage Your Account](#)

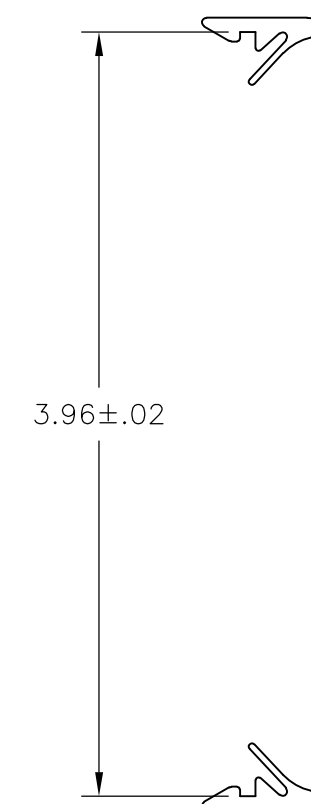
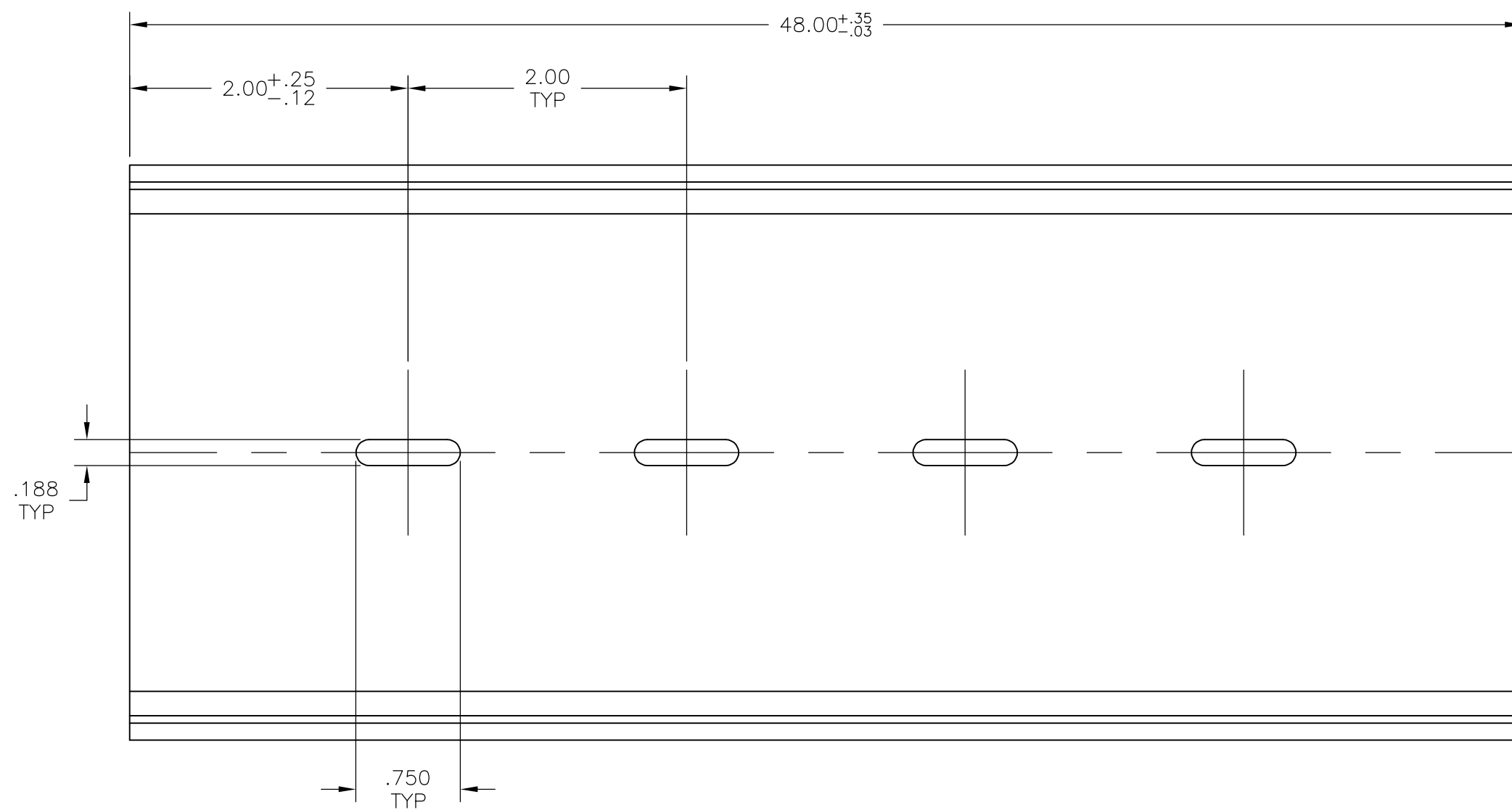
Keep Me Informed



THIS DRAWING IS UNPUBLISHED. RELEASED FOR PUBLICATION
 © COPYRIGHT BY TYCO ELECTRONICS CORPORATION. ALL INTERNATIONAL RIGHTS RESERVED.

LOC	DIST	REVISIONS			
P	LTR	DESCRIPTION	DATE	DWN	APVD
-	-	A	5/6/09	SS	CR

1. ALL DIMENSIONS ARE ±.015 UNLESS OTHERWISE NOTED.
2. MATERIAL: RIGID, PVC, COLOR: GRAY.
3. RECOMMENDED PC BOARD WIDTH 4.00"



6TK2-48	5-1437685-0
CATALOG NUMBER	PART NUMBER

THIS DRAWING IS A CONTROLLED DOCUMENT.		DWN	S SCHLEGEL	1/12/05	Tyco Electronics Corporation Harrisburg, PA 17105-3608				
DIMENSIONS: INCHES		CHK	C RICHARD	5/6/09					
TOLERANCES UNLESS OTHERWISE SPECIFIED:		APVD	C RICHARD	5/6/09					
0 PLC ± - 1 PLC ± - 2 PLC ± .02 3 PLC ± .005 4 PLC ± - ANGLES ± 1°		PRODUCT SPEC	NAME			6TK2-48 SNAPTRACK			
MATERIAL		APPLICATION SPEC		RESTRICTED TO		-			
FINISH		WEIGHT	A2 00779		SIZE	CAGE CODE	DRAWING NO	RESTRICTED TO	
-		-		C=5-1437685-0		-		-	
CUSTOMER DRAWING				SCALE	NTS	SHEET	1 of 1	REV	A