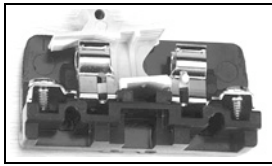


0351 Product Details

[Share](#) [Print](#) [Email](#)



0351

(1437397-9)

TE Internal Number: 1437397-9

Active

[View 3D PDF](#)

NEMA Terminal Blocks

Always EU RoHS/ELV Compliant (Statement of Compliance)

Product Highlights:

- 300 Series Block Series
- NEMA Product Line
- Block Type = Fuse
- Contact Configuration = Strap Screw
- In-Line Circuit Protection Application

[View all Features](#)

Quick Links

- ▶ [Pricing & Availability](#)
- ▶ [Search for Tooling](#)
- ▶ [Product Feature Selector](#)
- ▶ [Contact Us About This Product](#)

[Add to My Part List](#) [Request Sample](#) [Find Similar Products](#) [Buy Product](#)

Documentation & Additional Information

Product Drawings:

- [CONTACT SECTION W/ FUSE PULLER & TUBULAR CONTACT \(PDF, English\)](#)

Catalog Pages/Data Sheets:

- [BUCHANAN TERMINAL BLOCKS CATALOG - NEMA TERMINAL BLOCKS \(PDF, English\)](#)

Product Specifications:

- None Available

Application Specifications:

- None Available

Instruction Sheets:

- None Available

CAD Files: [\(CAD Format & Compression Information\)](#)

- [2D Drawing \(DXF, Version A\)](#)
- [3D Model \(IGES, Version A\)](#)
- [3D Model \(STEP, Version A\)](#)

[List all Documents](#)

Additional Information:

- [Product Line Information](#)

Additional Product Images:

- [Line Drawing](#)
- [Typical Mounting Configuration](#)

Related Products:

- [Tooling](#)

Product Features (Please use the Product Drawing for all design activity)

Product Type Features:

- [Block Series](#) = 300 Series
- [Product Line](#) = NEMA
- [Block Type](#) = Fuse
- [Fuse Puller](#) = With
- [Screw Size](#) = 10-32 Binding Head

Electrical Characteristics:

- [Voltage Rating \(VAC\)](#) = 600
- [Amperes \(A\)](#) = 25.0

Body Features:

- [Mount Style](#) = Channel Mount (Dovetail Base)
- [Wire Range \(Solid and Stranded\)\[MCM\] \(AWG\)](#) = 22-8
- [Blown Fuse Indicator](#) = Without
- [Blown Fuse Indicator Type](#) = None

Contact Features:

- [Contact Configuration](#) = Strap Screw
- [Pitch \(mm \[in\]\)](#) = 19.05 [0.750]

Housing Features:

- [Housing Material](#) = Phenolic - GF
- [UL Flammability Rating](#) = UL 94V-1

Industry Standards:

- [RoHS/ELV Compliance](#) = RoHS compliant, ELV compliant
- [Lead Free Solder Processes](#) = Not relevant for lead free process
- [RoHS/ELV Compliance History](#) = Always was RoHS compliant

Conditions for Usage:

- [Temperature, Max. \(°C\)](#) = 150

Operation/Application:

- [Application](#) = In-Line Circuit Protection

Packaging Features:

- [Terminals Per Foot](#) = 16

Other:

- [Brand](#) = Buchanan

Corporate Information

- [About TE](#)
- [Investors](#)
- [News Room](#)
- [Supplier Portal](#)
- [Careers](#)

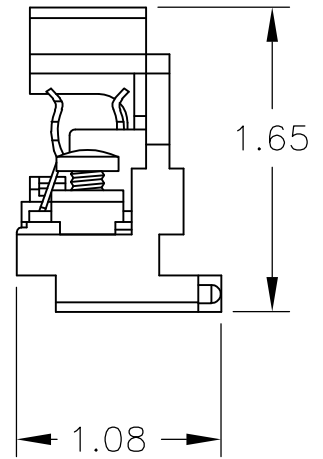
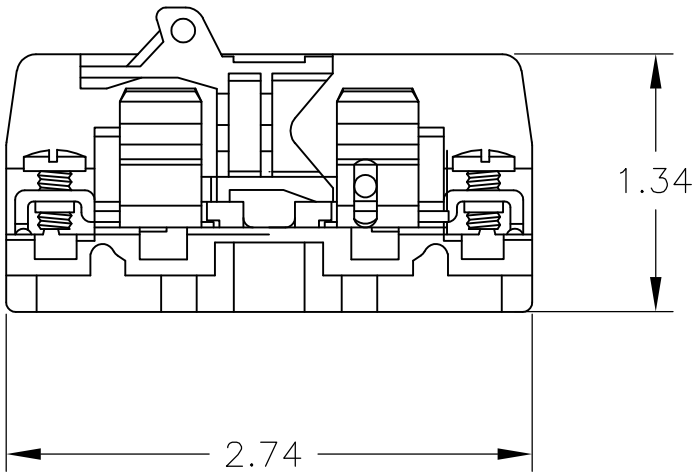
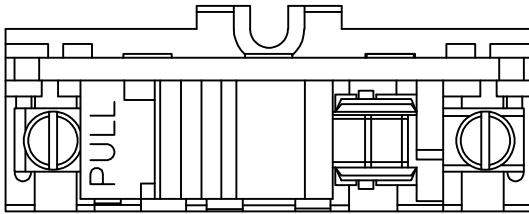
Quick Links

- [Distributor Inventory](#)
- [Product Cross Reference](#)
- [Documents & Drawings](#)
- [Product Compliance Support Center](#)
- [Site Map](#)

Customer Support

- [Email or Chat With Us](#)
- [Find a Phone Number](#)
- [Knowledge Base](#)
- [Manage Your Account](#)

LOC	DIST	REVISIONS					
—	—	P	LTR	DESCRIPTION	DATE	DWN	APVD
			A	REDRAWN PER ECO-08-023052	30SEP08	HMR	SM



0351	PHENOLIC, DOVETAIL	1437397-9
351	PHENOLIC, FLAT	2-1437397-8
P0311	POLY DOVETAIL	4-1437397-0
0311	NYLON DOVETAIL	1437397-1
CAT. NO.	DESCRIPTION	PART NO.

THIS DRAWING IS UNPUBLISHED. ALL INTERNATIONAL RIGHTS RESERVED. BY TYCO ELECTRONICS CORPORATION.

DIMENSIONS: INCHES TOLERANCES UNLESS OTHERWISE SPECIFIED: 0 PLC ± - 1 PLC ± - 2 PLC ± .01 3 PLC ± .005 4 PLC ± .0005 ANGLES ± 1°	DWN	30SEP08	MATERIAL	FINISH
	CHK	30SEP08	-	
	APVD	30SEP08	Tyco Electronics Corporation Harrisburg, PA 17105-3608	
	PRODUCT SPEC	NAME		
	APPLICATION SPEC	CONTACT SECTION W/ FUSE PULLER & TUBULAR CONTACT		
	WEIGHT	—	SIZE	RESTRICTED TO
			A4 00779	—
			DRAWING NO	
			C-1437397-1	
			SCALE	REV
			1:1	A
			SHEET	
			1 OF 1	
			CUSTOMER DRAWING	