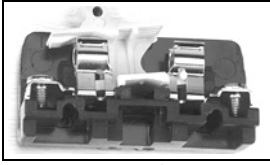


351 Product Details

[Share](#) [Print](#) [Email](#)



351

(2-1437397-8)

TE Internal Number: 2-1437397-8

Active

[View 3D PDF](#)

NEMA Terminal Blocks

Always EU RoHS/ELV Compliant (Statement of Compliance)

Product Highlights:

- 300 Series Block Series
- NEMA Product Line
- Block Type = Fuse
- Contact Configuration = Strap Screw
- In-Line Circuit Protection Application

[View all Features](#)

Quick Links

- ▶ [Pricing & Availability](#)
- ▶ [Search for Tooling](#)
- ▶ [Product Feature Selector](#)
- ▶ [Contact Us About This Product](#)

[Add to My Part List](#) [Request Sample](#) [Find Similar Products](#) [Buy Product](#)

Documentation & Additional Information

Product Drawings:

- [CONTACT SECTION W/ FUSE PULLER & TUBULAR CONTACT \(PDF, English\)](#)

Catalog Pages/Data Sheets:

- [BUCHANAN TERMINAL BLOCKS CATALOG - NEMA TERMINAL BLOCKS \(PDF, English\)](#)

Product Specifications:

- None Available

Application Specifications:

- None Available

Instruction Sheets:

- None Available

CAD Files: [\(CAD Format & Compression Information\)](#)

- [2D Drawing \(DXF, Version A\)](#)
- [3D Model \(IGES, Version A\)](#)
- [3D Model \(STEP, Version A\)](#)

[List all Documents](#)

Additional Information:

- [Product Line Information](#)

Additional Product Images:

- [Line Drawing](#)
- [Typical Mounting Configuration](#)

Related Products:

- [Tooling](#)

Product Features (Please use the Product Drawing for all design activity)

Product Type Features:

- [Block Series](#) = 300 Series
- [Product Line](#) = NEMA
- [Block Type](#) = Fuse
- [Fuse Puller](#) = With
- [Screw Size](#) = 10-32 Binding Head

Electrical Characteristics:

- [Voltage Rating \(VAC\)](#) = 600
- [Amperes \(A\)](#) = 25.0

Body Features:

- [Mount Style](#) = Direct Mount (Flat Base)
- [Wire Range \(Solid and Stranded\)\[MCM\] \(AWG\)](#) = 22-8
- [Blown Fuse Indicator](#) = Without
- [Blown Fuse Indicator Type](#) = None

Contact Features:

- [Contact Configuration](#) = Strap Screw
- [Pitch \(mm \[in\]\)](#) = 19.05 [0.750]

Housing Features:

- [Housing Material](#) = Phenolic - GF
- [UL Flammability Rating](#) = UL 94V-1

Industry Standards:

- [RoHS/ELV Compliance](#) = RoHS compliant, ELV compliant
- [Lead Free Solder Processes](#) = Not relevant for lead free process
- [RoHS/ELV Compliance History](#) = Always was RoHS compliant

Conditions for Usage:

- [Temperature, Max. \(°C\)](#) = 150

Operation/Application:

- [Application](#) = In-Line Circuit Protection

Packaging Features:

- [Terminals Per Foot](#) = 16

Other:

- [Brand](#) = Buchanan

Corporate Information

[About TE](#)
[Investors](#)
[News Room](#)
[Supplier Portal](#)
[Careers](#)

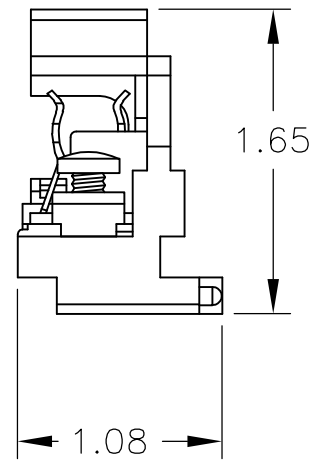
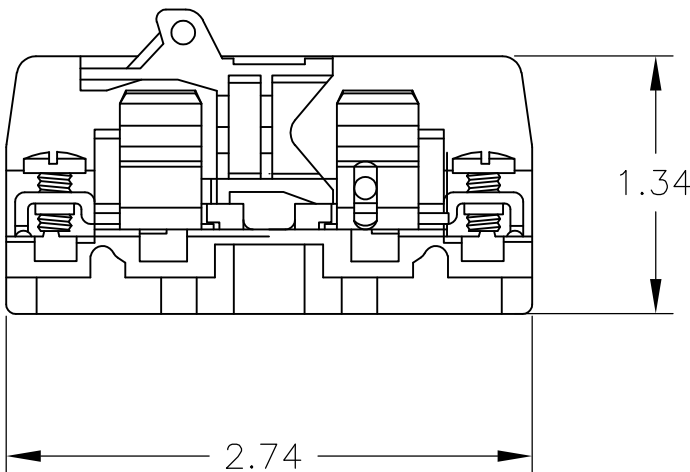
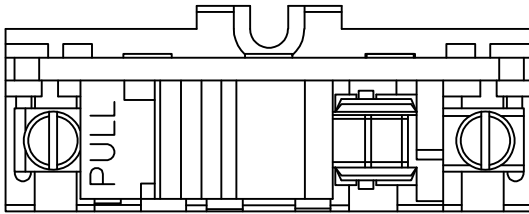
Quick Links

[Distributor Inventory](#)
[Product Cross Reference](#)
[Documents & Drawings](#)
[Product Compliance Support Center](#)
[Site Map](#)

Customer Support

[Email or Chat With Us](#)
[Find a Phone Number](#)
[Knowledge Base](#)
[Manage Your Account](#)

LOC	DIST	REVISIONS					
—	—	P	LTR	DESCRIPTION	DATE	DWN	APVD
		A		REDRAWN PER ECO-08-023052	30SEP08	HMR	SM



0351	PHENOLIC, DOVETAIL	1437397-9
351	PHENOLIC, FLAT	2-1437397-8
P0311	POLY DOVETAIL	4-1437397-0
0311	NYLON DOVETAIL	1437397-1
CAT. NO.	DESCRIPTION	PART NO.

THIS DRAWING IS UNPUBLISHED.

ALL INTERNATIONAL RIGHTS RESERVED.

BY TYCO ELECTRONICS CORPORATION.

© COPYRIGHT

DIMENSIONS:	
INCHES	
TOLERANCES UNLESS OTHERWISE SPECIFIED:	
0 PLC	± -
1 PLC	± -
2 PLC	± .01
3 PLC	± .005
4 PLC	± .0005
ANGLES	± 1'

DWN	30SEP08	MATERIAL	FINISH
RAGHAVENDRA		-	-
CHK	30SEP08	Tyco Electronics Corporation Harrisburg, PA 17105-3608	
MACE SAM			
APVD	30SEP08	NAME	
MACE SAM		CANTACT SECTION W/ FUSE PULLER & TUBULAR CONTACT	
PRODUCT SPEC		SIZE	CAGE CODE
—		A4	00779
APPLICATION SPEC		DRAWING NO	RESTRICTED TO
—		1437397-1	—
WEIGHT		CUSTOMER DRAWING	
—		SCALE	1:1
		SHEET	1 OF 1
		REV	A