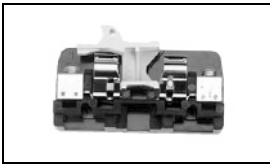


## 0352 Product Details

[Share](#) [Print](#) [Email](#)



**0352**

(1-1437397-0)

TE Internal Number: 1-1437397-0

Active

[View 3D PDF](#)

### NEMA Terminal Blocks

Always EU RoHS/ELV Compliant (Statement of Compliance)

#### Product Highlights:

- 300 Series Block Series
- NEMA Product Line
- Block Type = Fuse
- Contact Configuration = Tubular Screw
- In-Line Circuit Protection Application

[View all Features](#)

### Quick Links

- ▶ [Pricing & Availability](#)
- ▶ [Search for Tooling](#)
- ▶ [Product Feature Selector](#)
- ▶ [Contact Us About This Product](#)

[Add to My Part List](#)

[Request Sample](#)

[Find Similar Products](#)

[Buy Product](#)

### Documentation & Additional Information

#### Product Drawings:

- [CONTACT SECTION W/ FUSE PULLER & TUBULAR CONTACT \(PDF, English\)](#)

#### Catalog Pages/Data Sheets:

- [BUCHANAN TERMINAL BLOCKS CATALOG - NEMA TERMINAL BLOCKS \(PDF, English\)](#)

#### Product Specifications:

- None Available

#### Application Specifications:

- None Available

#### Instruction Sheets:

- None Available

#### CAD Files: [\(CAD Format & Compression Information\)](#)

- [2D Drawing \(DXF, Version B\)](#)
- [3D Model \(IGES, Version B\)](#)
- [3D Model \(STEP, Version B\)](#)

[List all Documents](#)

#### Additional Information:

- [Product Line Information](#)

#### Additional Product Images:

- [Line Drawing](#)
- [Typical Mounting Configuration](#)

#### Related Products:

- [Tooling](#)

### Product Features (Please use the Product Drawing for all design activity)

#### Product Type Features:

- [Block Series](#) = 300 Series
- [Product Line](#) = NEMA
- [Block Type](#) = Fuse
- [Fuse Puller](#) = With
- [Screw Size](#) = 1/4-28 Set Screw

#### Electrical Characteristics:

- [Voltage Rating \(VAC\)](#) = 600
- [Amperes \(A\)](#) = 25.0

#### Body Features:

- [Mount Style](#) = Channel Mount (Dovetail Base)
- [Wire Range \(Solid and Stranded\)\[MCM\] \(AWG\)](#) = 18-8
- [Blown Fuse Indicator](#) = Without
- [Blown Fuse Indicator Type](#) = None
- [Wire Strip Length \(mm \[in\]\)](#) = 12.70 [0.500]

#### Contact Features:

- [Contact Configuration](#) = Tubular Screw
- [Pitch \(mm \[in\]\)](#) = 19.05 [0.750]

#### Housing Features:

- [Housing Material](#) = Phenolic - GF
- [UL Flammability Rating](#) = UL 94V-1

#### Industry Standards:

- [RoHS/ELV Compliance](#) = RoHS compliant, ELV compliant
- [Lead Free Solder Processes](#) = Not relevant for lead free process
- [RoHS/ELV Compliance History](#) = Always was RoHS compliant

#### Conditions for Usage:

- [Temperature, Max. \(°C\)](#) = 150

#### Operation/Application:

- [Application](#) = In-Line Circuit Protection

#### Packaging Features:

- [Terminals Per Foot](#) = 16

#### Other:

- [Brand](#) = Buchanan

### Corporate Information

- [About TE](#)
- [Investors](#)
- [News Room](#)
- [Supplier Portal](#)
- [Careers](#)

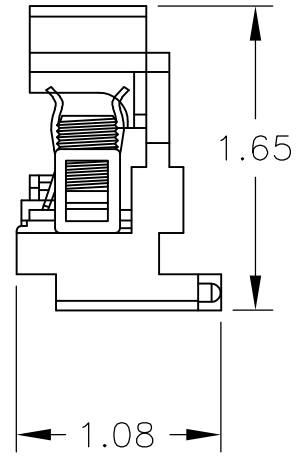
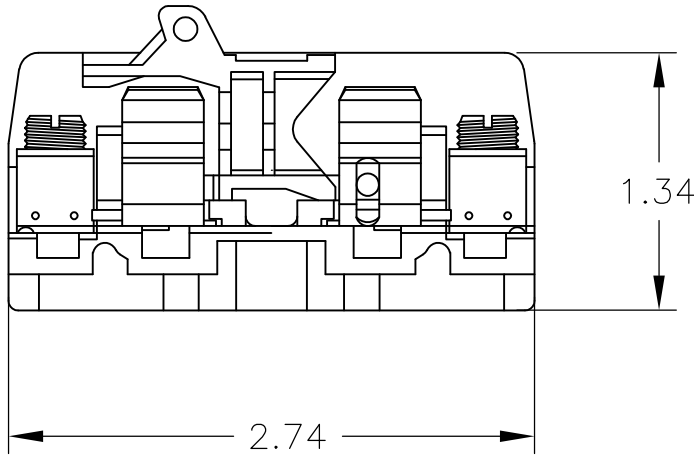
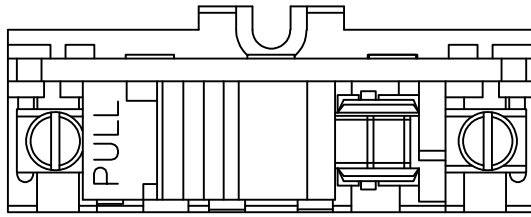
### Quick Links

- [Distributor Inventory](#)
- [Product Cross Reference](#)
- [Documents & Drawings](#)
- [Product Compliance Support Center](#)
- [Site Map](#)

### Customer Support

- [Email or Chat With Us](#)
- [Find a Phone Number](#)
- [Knowledge Base](#)
- [Manage Your Account](#)

LOC	DIST	REVISIONS					
—	—	P	LTR	DESCRIPTION	DATE	DWN	APVD
		B		REVISED PER ECO-12-006553	10APR12	KH	MS



0352	PHENOLIC, DOVETAIL	1-1437397-0
352	PHENOLIC, FLAT	3-1437397-0
P0312	POLY DOVETAIL	4-1437397-2
0312	NYLON DOVETAIL	1437397-2
CAT. NO.	DESCRIPTION	PART NO.

RELEASED FOR PUBLICATION

ALL RIGHTS RESERVED.

THIS DRAWING IS UNPUBLISHED.

By -  
COPYRIGHT -

DIMENSIONS:	
INCHES	
TOLERANCES UNLESS OTHERWISE SPECIFIED:	
0 PLC	± -
1 PLC	± -
2 PLC	± .01
3 PLC	± .005
4 PLC	± .0005
ANGLES	± 1'

DWN RAGHAVENDRA 30SEP08	MATERIAL -	FINISH -
CHK MACE SAM 30SEP08	TE Connectivity	
APVD MACE SAM 30SEP08		
PRODUCT SPEC -	NAME CONTACT SECTION W/ FUSE PULLER & TUBULAR CONTACT	
APPLICATION SPEC -	SIZE A4	CAGE CODE 00779
WEIGHT -	DRAWING NO C-1437397-2	RESTRICTED TO -
CUSTOMER DRAWING		SCALE 1:1
		SHEET 1 OF 1
		REV B