



Audio

MPR-HD Series



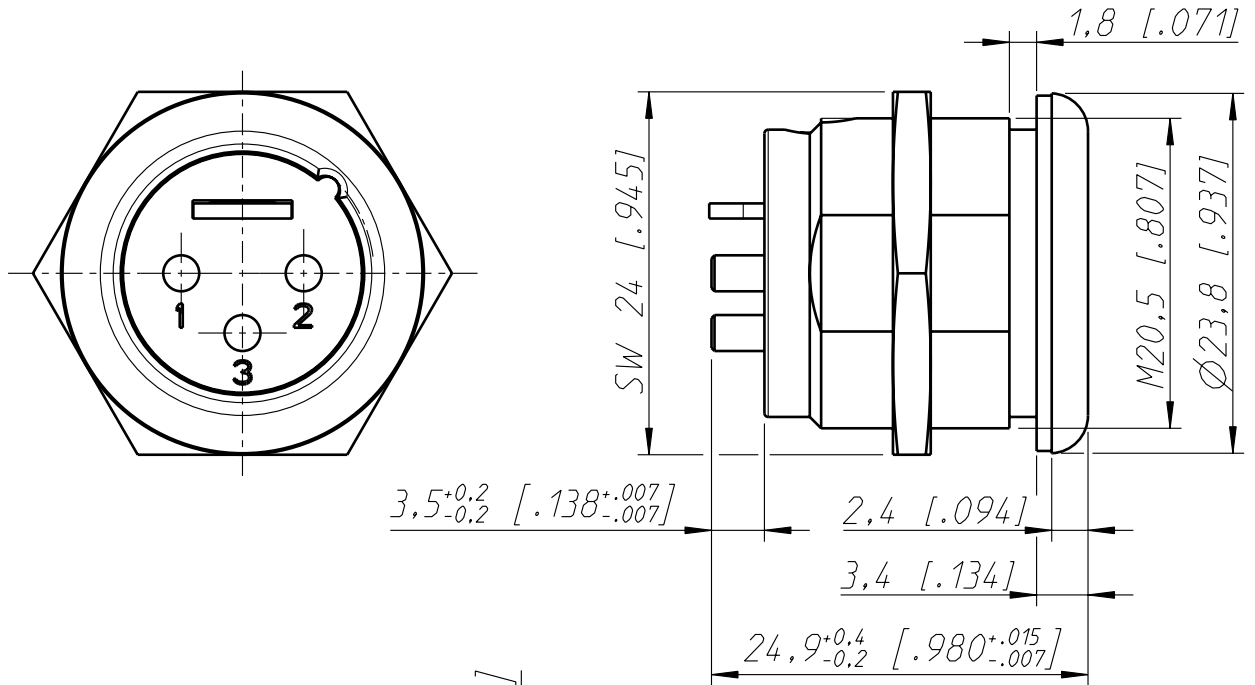
NC3MPR-HD

Heavy duty sealed male 3-pole XLR chassis connector for outdoor use. Dust and water ingress sealing to IP65 rating is achieved by using HD cable connector (NC3FX-HD).

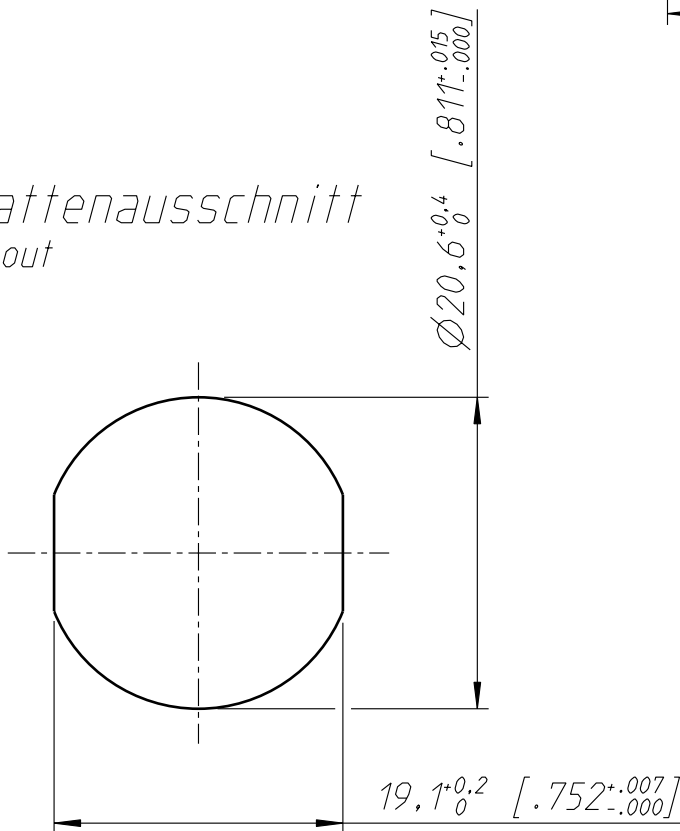
These chassis connectors can be used perfectly for outdoor and weatherproof applications as well as in a wide range of industrial applications.

Features & Benefits

- IP 65 - in combination with NC3FX-HD cable connector
- Perfect for outdoor applications
- Sealing gasket for water tight panel mount
- Gold plated contacts
- Fastening nut included



Frontplattenausschnitt
Panel cut out



Allgemeintoleranzen ISO 2768-m	Werkstoff	Massstab:	Datum	Name	
Zeichnung urheberrechtlich geschuetzt (DIN 34) (C)	-	2:1	Gezeichnet	18.02.05	Mijatovic
	-	(A4)	Freigegeben	-	-
Benennung	NC 3MPR-HD NC 3MPR-HD	-	Geändert	17.01.07	Ender
			Aend.-Nr.	-	Aend.-Index
			Ersatz fuer:	Blatt 1 von 1 Bl.	
NEUTRIK AG FL-9494 SCHAAN		Zeichn. Nr.		ST-NC 3MPR-HD	



MPR-HD Series

NC3MPR-HD

There are no technical infos for this product.

Product	
Connector Type	XLR
Gender	male
Electrical	
Capacitance between contacts	≤ 4 pF
Contact resistance	≤ 5 m Ω
Dielectric strength	1,5 kVdc
Insulation resistance	> 2 G Ω (initial)
Insulation resistance	> 1 G Ω (after damp heat test)
Rated current per contact	16 A
Rated voltage	50 V
Mechanical	
Insertion force	< 35 N
Wiring	Solder contacts
Locking device	latch lock
Mounting direction	front
Chassis shape	P
Material	
Contact plating	0.2 μ m Au over 2 μ m Ni
Contacts	Brass (CuZn39Pb3)
Insert	Polyamide (PA 6.6 30 % GR)
Gasket	Tesnit®
Shell	Zinc diecast (ZnAl4Cu1)
Shell plating	Nickel
Environmental	
Standard compliance	IEC 61076-2-103
Protection class	IP 65
Solderability	Complies with IEC 68-2-20
Optical	
Mobile Cables	