

1954283-1 Product Details

[Share](#) [Print](#) [Email](#)



1954283-1

TE Internal Number: 1954283-1
 Active

[View 3D PDF](#)

SOLARLOK Connector System

Always EU RoHS/ELV Compliant (Statement of Compliance)

Product Highlights:

- SOLARLOK 5-string Combiner Box
- Color = Black
- Packaging Quantity = 1
- RoHS compliant, ELV compliant
- Lead Free Solder Processes = Not relevant for lead free process

[View all Features](#)

Quick Links

- ▶ [Pricing & Availability](#)
- ▶ [Search for Tooling](#)
- ▶ [Product Feature Selector](#)
- ▶ [Contact Us About This Product](#)

[Add to My Part List](#) [Request Sample](#) [Find Similar Products](#) [Buy Product](#)

Documentation & Additional Information

Product Drawings:

- [SOLAR COMBINER BOX 5 STRING](#) (PDF, English)

Catalog Pages/Data Sheets:

- [CONNECTIVITY_SYSTEMS_FOR_PV_INSTALLERS_3-1773458-6](#) (PDF, English)
- [SOLARLOK_CONNECTIVITY_SYSTEMS_FOR_PV_MANUFACTURERS_3...](#) (PDF, English)
- [SOLARLOK_RESIDENTIAL_COMBINER_BOX](#) (PDF, English)

Product Specifications:

- None Available

Application Specifications:

- None Available

Instruction Sheets:

- [SOLARLOK Combiner Box Assemblies 1954283-1 and 1954283-2](#) (PDF, English)

CAD Files: (CAD Format & Compression Information)

- [2D Drawing](#) (DXF, Version G)
- [3D Model](#) (IGES, Version G)
- [3D Model](#) (STEP, Version G)

[List all Documents](#)

Related Products:

- [Tooling](#)

Product Features (Please use the Product Drawing for all design activity)

Product Type Features:

- Product Type = SOLARLOK 5-string Combiner Box
- Color = Black

Industry Standards:

- [RoHS/ELV Compliance](#) = RoHS compliant, ELV compliant
- [Lead Free Solder Processes](#) = Not relevant for lead free process
- [RoHS/ELV Compliance History](#) = Always was RoHS compliant

Packaging Features:

- Packaging Quantity = 1

Other:

- Brand = TE Connectivity

Corporate Information

- [About TE](#)
- [Investors](#)
- [News Room](#)
- [Supplier Portal](#)
- [Careers](#)
- [Terms & Conditions](#)
- [Privacy Policy](#)

Quick Links

- [Distributor Inventory](#)
- [Product Cross Reference](#)
- [Documents & Drawings](#)
- [Product Compliance Support Center](#)
- [Site Map](#)

Customer Support

- [Email or Chat With Us](#)
- [Find a Phone Number](#)
- [Knowledge Base](#)
- [Manage Your Account](#)

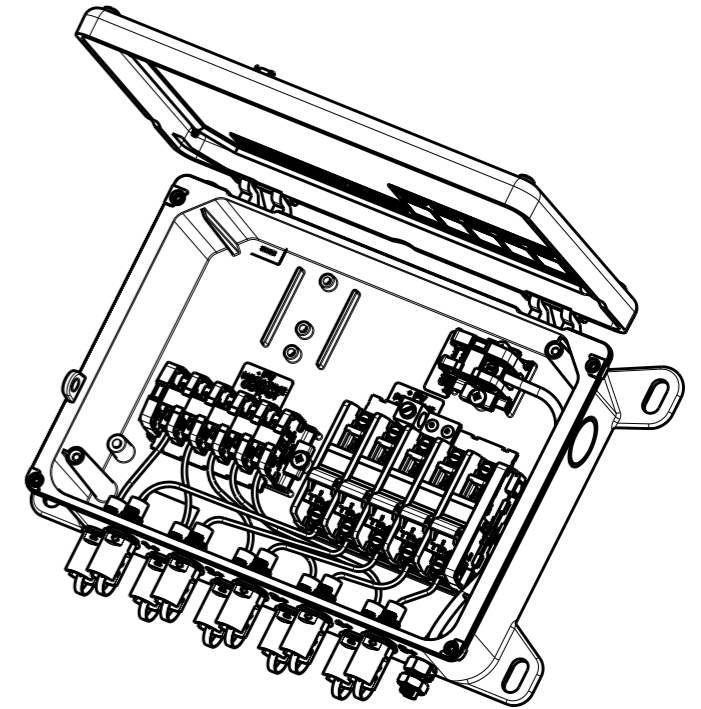
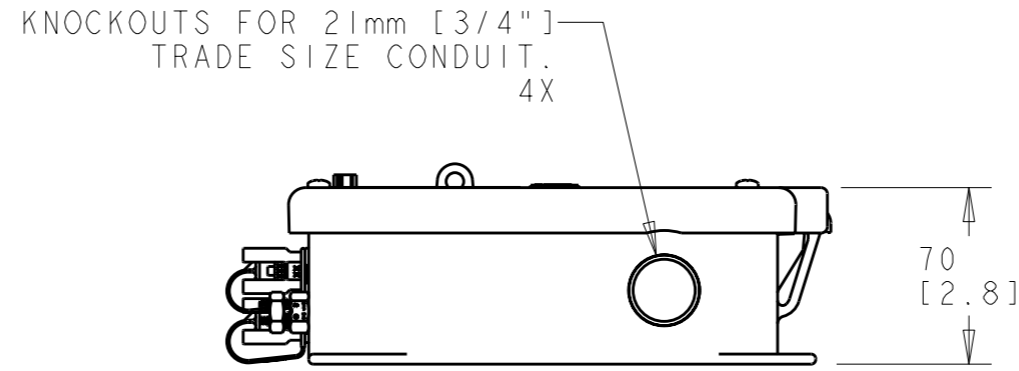
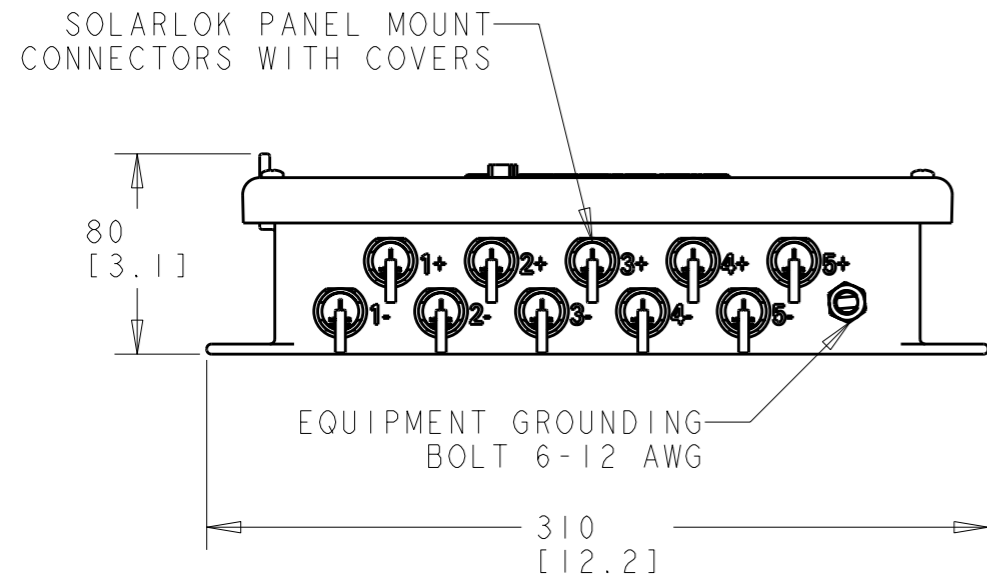
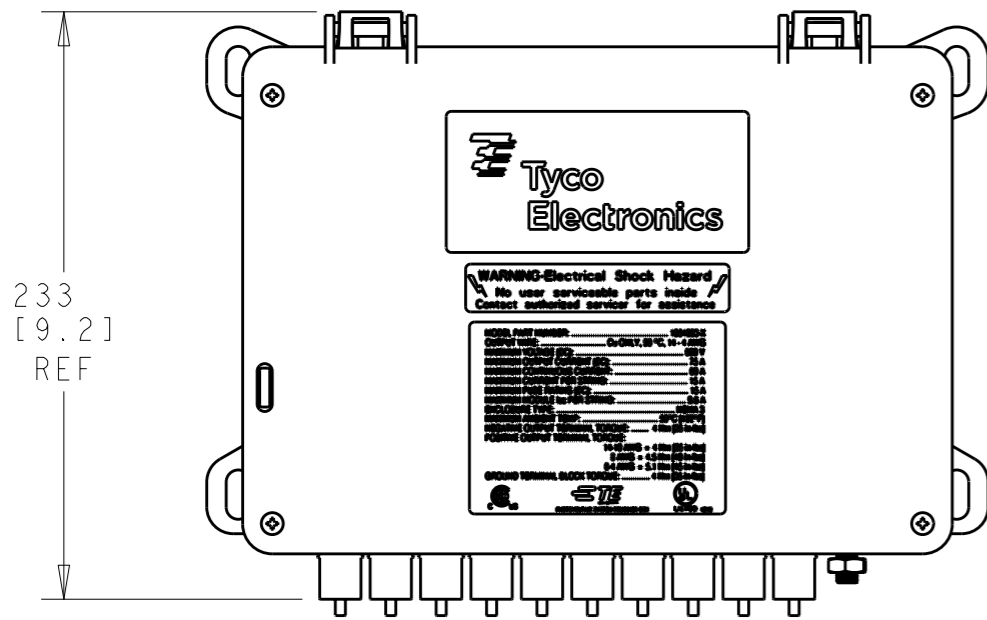
Keep Me Informed



THIS DRAWING IS UNPUBLISHED. RELEASED FOR PUBLICATION 20
 © COPYRIGHT 20 BY TYCO ELECTRONICS CORPORATION. ALL RIGHTS RESERVED.

LOC	DIST	REVISIONS					
		P	LTR	DESCRIPTION	DATE	DWN	APVD
-	-		G1	UPDATED PER ECO-11-013121	15JUL2011	DW	JE

1. SEE INSTRUCTION SHEET 408-10271 FOR INSTALLATION REQUIREMENTS.
2. FUSES AND MOUNTING HARDWARE NOT SUPPLIED.
3. THIS PRODUCT HAS NOT COMPLETED VALIDATION TESTING. IT HAS COMPLETED VERIFICATION TESTING AND UL LISTING (FILE E321923).
4. THE INSIDE OF THE COMBINER BOX IS NOT TO BE MODIFIED IN ANY WAY OR HAVE ADDITIONAL COMPONENTS INSTALLED (OTHER THAN THAT DESCRIBED BY THE INSTRUCTION SHEET 408-10271) AS THIS MAY VOID UL APPROVALS FOR THE COMBINER BOX.



SHOWN OPEN WITH INNER COVER REMOVED.

SCALE 1:4

5-STRING	BLACK	1954283-1
DESCRIPTION	ENCLOSURE COLOR	PART NUMBER

THIS DRAWING IS A CONTROLLED DOCUMENT FOR TYCO ELECTRONICS CORPORATION IT IS SUBJECT TO CHANGE AND THE CONTROLLING ENGINEERING ORGANIZATION SHOULD BE CONTACTED FOR THE LATEST REVISION.		DWN HILT 11JUN2007	Tyco Electronics Harrisburg, PA 17105-3608	
DIMENSIONS: mm	TOLERANCES UNLESS OTHERWISE SPECIFIED: 0 PLC ±2 1 PLC ±0.5 2 PLC ± 3 PLC ± 4 PLC ± ANGLES ±5	CHK S. DUESTERHOEFT	NAME SOLAR COMBINER BOX 5 STRING	
		APVD -	-	
MATERIAL -	FINISH -	PRODUCT SPEC -	APPLICATION SPEC -	RESTRICTED TO -
		WEIGHT 1.6 kg [3.5lb]	SIZE A3	CAGE CODE 00779
		DRAWING NO C-1954283		
		CUSTOMER DRAWING		SCALE 1:3 SHEET 1 OF 2 REV G1

4

3

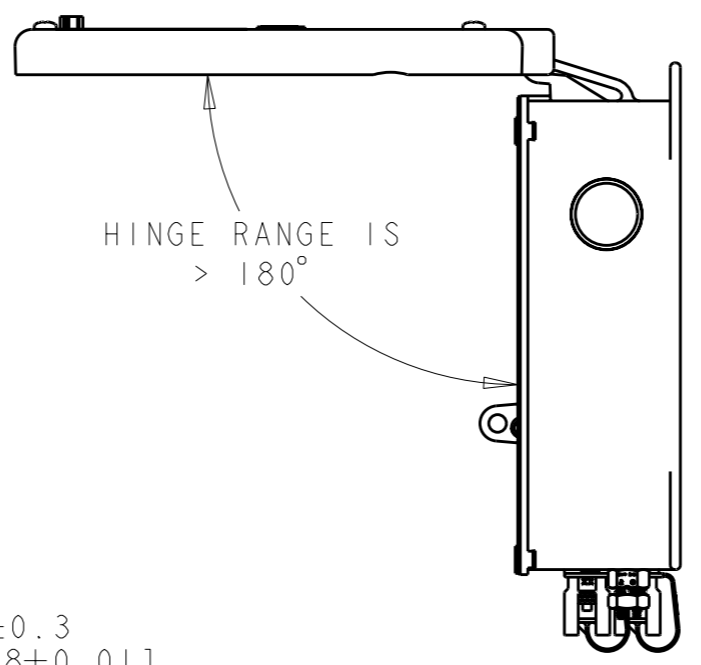
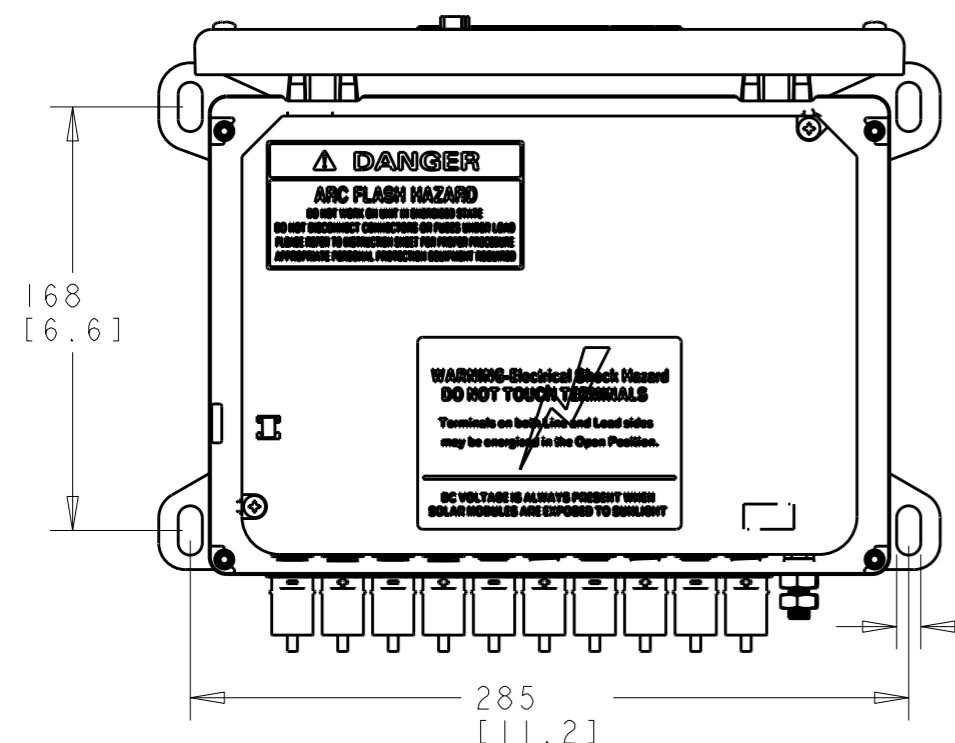
2

1

THIS DRAWING IS UNPUBLISHED. RELEASED FOR PUBLICATION 20

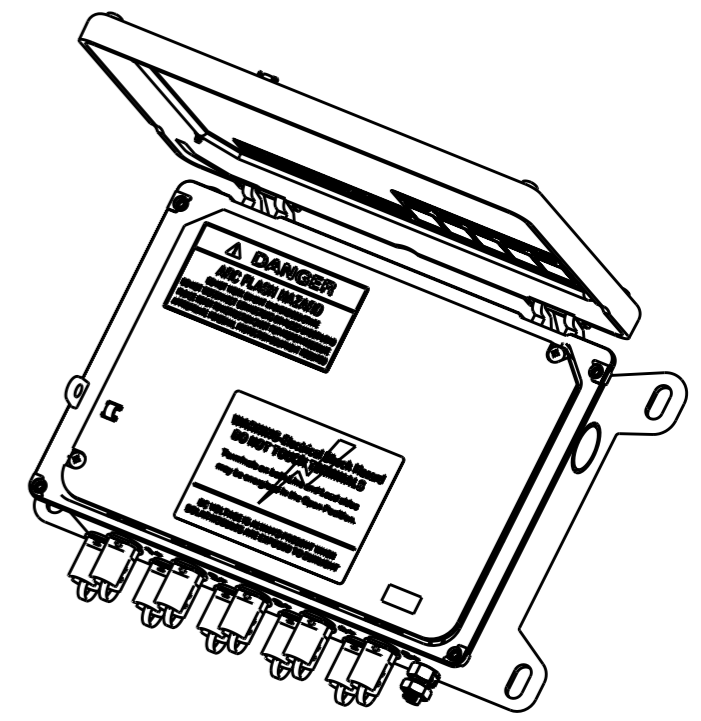
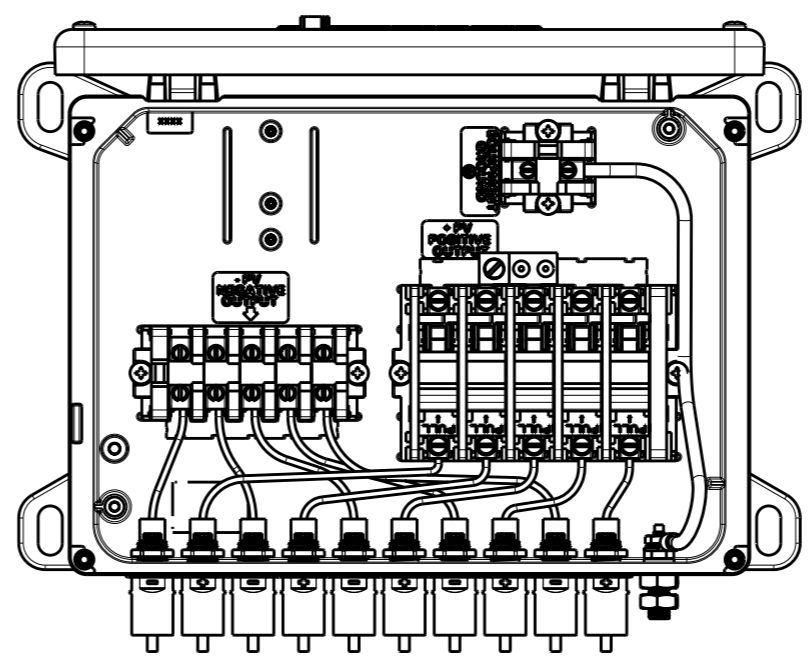
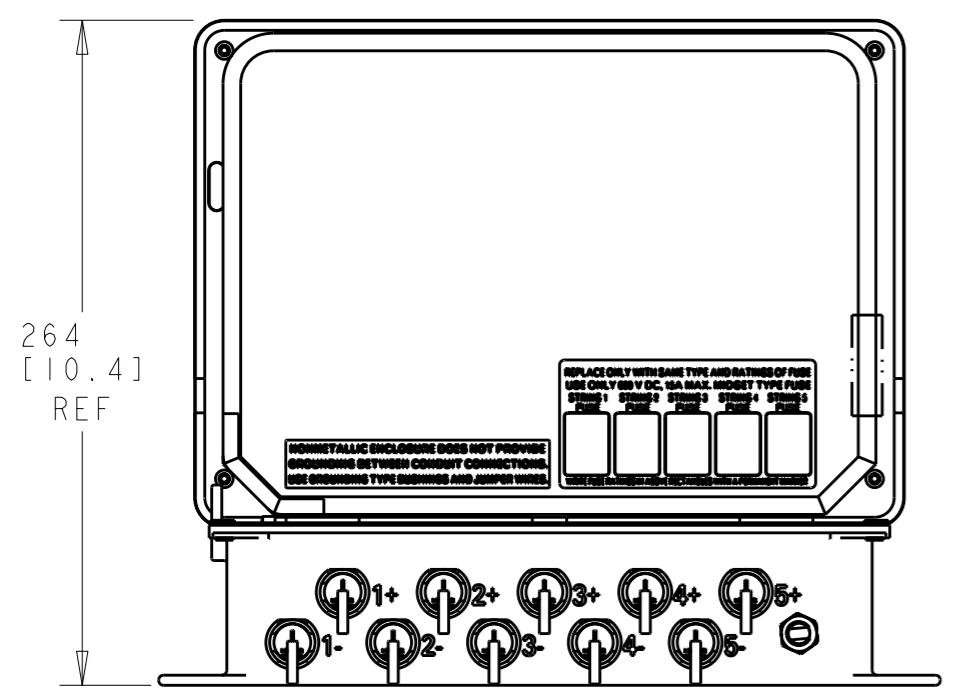
© COPYRIGHT 20 BY TYCO ELECTRONICS CORPORATION. ALL RIGHTS RESERVED.

LOC	DIST	REVISIONS					
		P	LTR	DESCRIPTION	DATE	DWN	APVD
-	-	-	-	SEE SHEET 1	-	-	-



9.6±0.3 [0.38±0.01]

SHOWN OPEN WITH INNER COVER IN PLACE.



THIS DRAWING IS A CONTROLLED DOCUMENT FOR TYCO ELECTRONICS CORPORATION
 IT IS SUBJECT TO CHANGE AND THE CONTROLLING ENGINEERING ORGANIZATION
 SHOULD BE CONTACTED FOR THE LATEST REVISION.

DIMENSIONS:	TOLERANCES UNLESS OTHERWISE SPECIFIED:
mm	0 PLC ±2
	1 PLC ±0.5
	2 PLC ±
	3 PLC ±
	4 PLC ±
	ANGLES ±5
MATERIAL	FINISH

DWN	HILT	11JUN2007
CHK	S. DUESTERHOEFT	-
APVD	-	-
PRODUCT SPEC	-	-
APPLICATION SPEC	-	-
WEIGHT	1.6 kg [3.5lb]	-
CUSTOMER DRAWING		

Tyco Electronics Harrisburg, PA 17105-3608		NAME	
SOLAR COMBINER BOX 5 STRING		RESTRICTED TO	
SIZE	CAGE CODE	DRAWING NO	REV
A3	00779	C-1954283	G1
SCALE	SHEET	OF	REV
1:3	2	2	G1