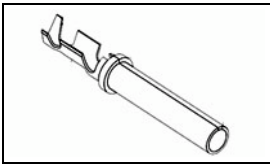


1924580-1 Product Details

[Share](#) [Print](#) [Email](#)



1924580-1

TE Internal Number: 1924580-1
Active

[View 3D PDF](#)

Heavy Duty Contacts

Always EU RoHS/ELV Compliant (Statement of Compliance)

Product Highlights:

- Contact Configuration = Socket
- With Insulation Support
- Wire Size - Details = 18 - 20
- Accepts Wire Insulation Diameter, Range = 2.26 - 3.32 mm
- Select Gold (30) Plating Material

[View all Features](#)

Quick Links

- ▶ [Pricing & Availability](#)
- ▶ [Search for Tooling](#)
- ▶ [Product Feature Selector](#)
- ▶ [Contact Us About This Product](#)

[Add to My Part List](#) [Request Sample](#) [Find Similar Products](#) [Buy Product](#)

Documentation & Additional Information

Product Drawings:

- [ASSEMBLY, SOCKET CONTACT, LOOSE PIECE \(PDF, English\)](#)

Catalog Pages/Data Sheets:

- None Available

Product Specifications:

- None Available

Application Specifications:

- None Available

Instruction Sheets:

- None Available

CAD Files: [\(CAD Format & Compression Information\)](#)

- [2D Drawing \(DXF, Version A\)](#)
- [3D Model \(IGES, Version A\)](#)
- [3D Model \(STEP, Version A\)](#)

[List all Documents](#)

Related Products:

- [Tooling](#)

Product Features (Please use the Product Drawing for all design activity)

Product Type Features:

- [Insulation Support](#) = With

Body Features:

- [Plating Material](#) = Select Gold (30)

Contact Features:

- [Contact Configuration](#) = Socket

Industry Standards:

- [RoHS/ELV Compliance](#) = RoHS compliant, ELV compliant
- [Lead Free Solder Processes](#) = Not relevant for lead free process
- [RoHS/ELV Compliance History](#) = Always was RoHS compliant

Conditions for Usage:

- [Wire Size - Details](#) = 18 - 20
- [Accepts Wire Insulation Diameter, Range \(mm \[in\]\)](#) = 2.26 - 3.32 [0.089 - 0.131]

Packaging Features:

- [Packaging Method](#) = Loose Piece

Other:

- [Brand](#) = TE Connectivity

Corporate Information

- [About TE](#)
- [Investors](#)
- [News Room](#)
- [Supplier Portal](#)
- [Careers](#)
- [Terms & Conditions](#)
- [Privacy Policy](#)

Quick Links

- [Distributor Inventory](#)
- [Product Cross Reference](#)
- [Documents & Drawings](#)
- [Product Compliance Support Center](#)
- [Site Map](#)

Customer Support

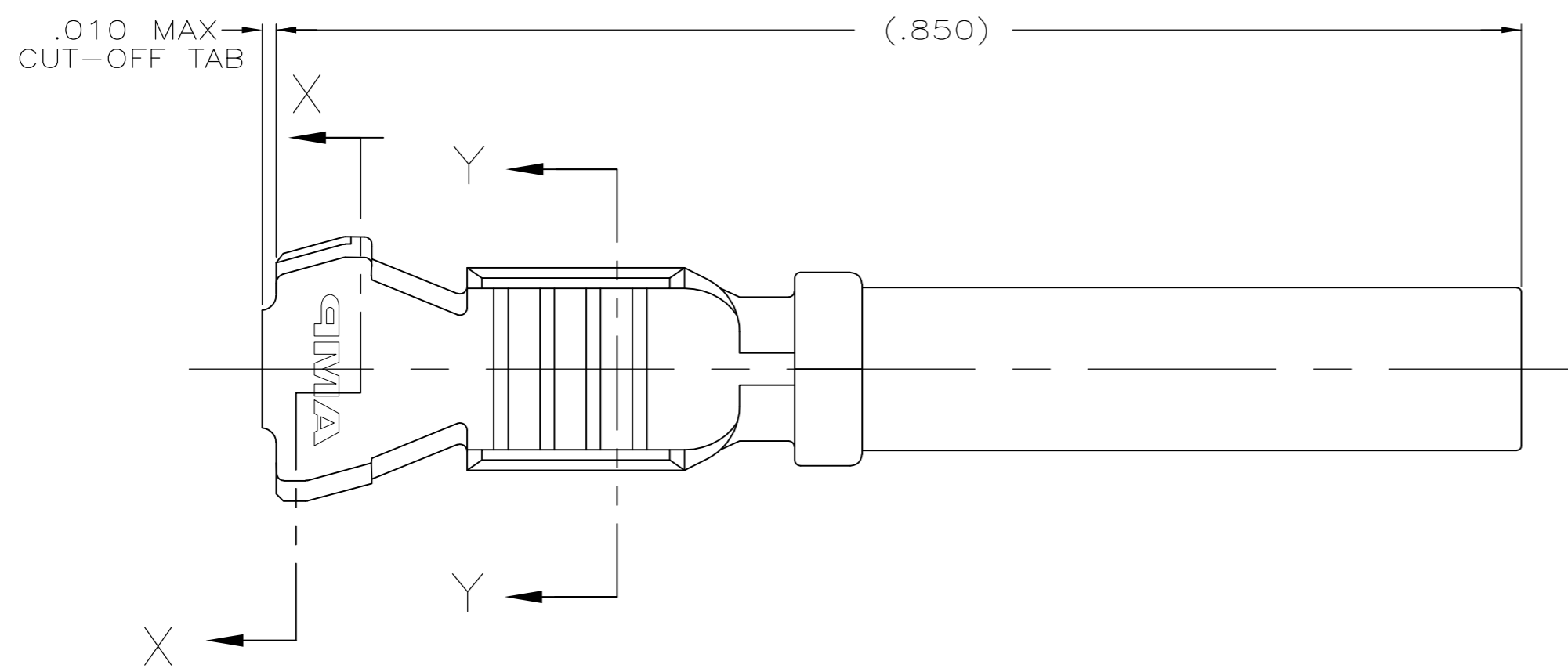
- [Email or Chat With Us](#)
- [Find a Phone Number](#)
- [Knowledge Base](#)
- [Manage Your Account](#)

Keep Me Informed

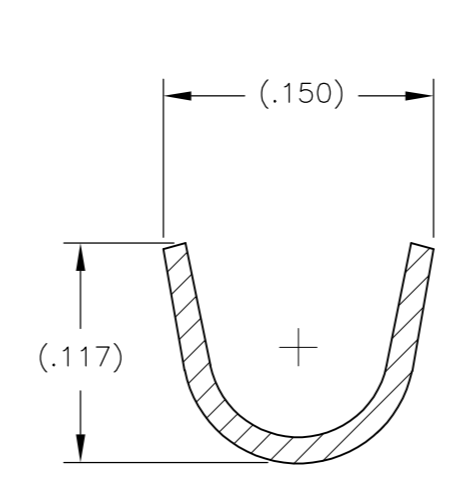
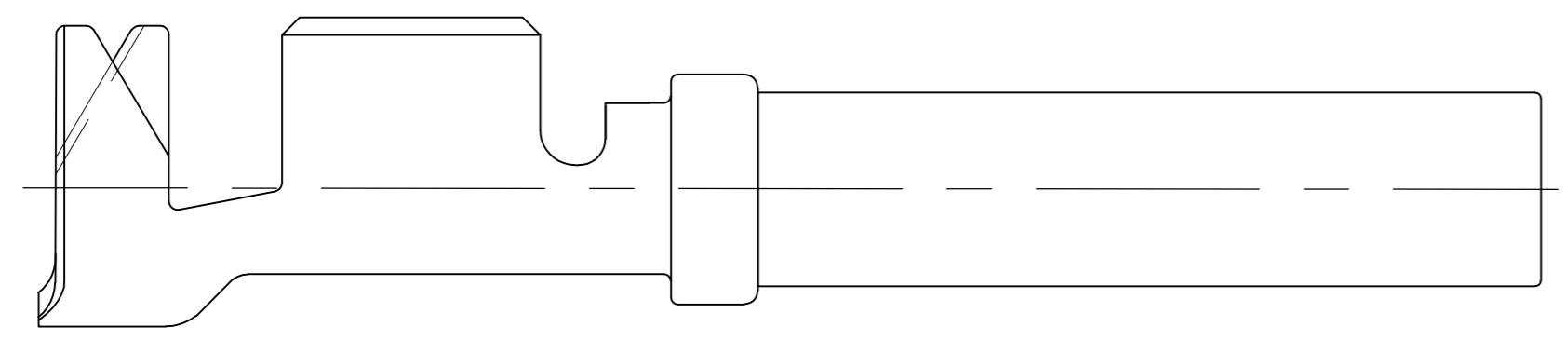
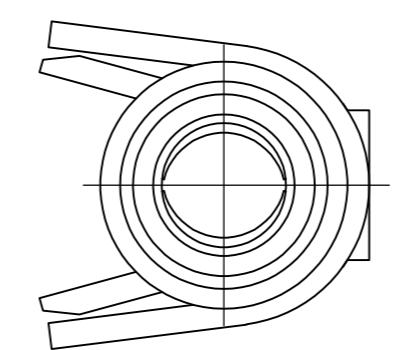


THIS DRAWING IS UNPUBLISHED. RELEASED FOR PUBLICATION
 © COPYRIGHT BY TYCO ELECTRONICS CORPORATION. ALL INTERNATIONAL RIGHTS RESERVED.

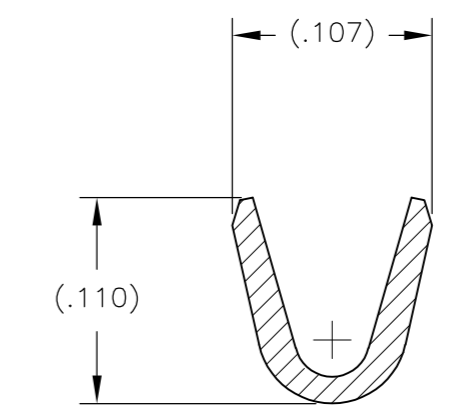
| LOC | DIST | REVISIONS | | | |
|-----|------|-------------|----------------------------|-----------|---------|
| P | LTR | DESCRIPTION | DATE | DWN | APVD |
| GE | 33 | A | RELEASED PER ECO-10-004070 | 26FEB2010 | DLD MPT |



1. WIRE RANGE: 20-18 AWG WITH INSULATION DIAMETERS OF .050 - .107 INCHES.



SECTION X-X



SECTION Y-Y

| LOOSE PIECE VERSION OF 1924464-2 | NICKEL | 1924580-2 |
|----------------------------------|--------|-------------|
| LOOSE PIECE VERSION OF 1924464-1 | GOLD | 1924580-1 |
| DESCRIPTION | FINISH | PART NUMBER |

| | | | | |
|--|--|---------------------------------|---|-----------------------|
| THIS DRAWING IS A CONTROLLED DOCUMENT. | | DWN D. DRUMMOND 20JUL2009 | Tyco Electronics Corporation Harrisburg, PA 17105-3608 | |
| DIMENSIONS: INCHES | | CHK M. TRULL 20JUL2009 | NAME ASSEMBLY, SOCKET CONTACT, LOOSE PIECE | |
| TOLERANCES UNLESS OTHERWISE SPECIFIED: | | APVD M. TRULL 20JUL2009 | SIZE A2 | |
| 0 PLC ± - | | PRODUCT SPEC | CAGE CODE 00779 | DRAWING NO 1924580 |
| 1 PLC ± - | | APPLICATION SPEC | RESTRICTED TO | |
| 2 PLC ± .02 | | WEIGHT | SCALE 10:1 | |
| 3 PLC ± .005 | | FINISH | SHEET 1 of 1 | |
| 4 PLC ± - | | CUSTOMER DRAWING | REV A | |
| ANGLES ± - | | | | |
| MATERIAL | | | | |