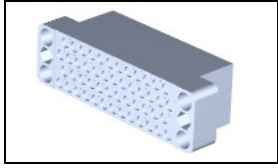


200277-2 Product Details



200277-2

TE Internal Number: 200277-2



Active

M Series Connectors

 Always EU RoHS/ELV Compliant (Statement of Compliance)

Product Highlights:

- Product Series = M Series
- Connector
- Cable-to-Cable / Cable-to-Panel
- Applies To Panel, Applies To Wire/Cable
- Housing

Documentation & Additional Information

Product Drawings:

- [BLOCK, FEMALE, 50 POS, MINIATURE RECTANGULAR, M SERIES](#) (PDF, English)

Catalog Pages/Data Sheets:

- [M_SERIES_PIN_AND_SOCKET_CONNECTORS](#) (PDF, English)

Product Specifications:

- None Available

Application Specifications:

- None Available

Instruction Sheets:

- [AMP* 20 HVC, 34 AND 50 POSITION SERIES "M" CONNECTOR](#) (PDF, English)
- [LATCHING SHIELD AND PIN HOOD FOR 50 POSITION "M" S...](#) (PDF, English)

CAD Files: (CAD Format & Compression Information)

- [2D Drawing](#) (DXF, Version AN)
- [3D Model](#) (IGES, Version AN)
- [3D Model](#) (STEP, Version AN)

Additional Information:

- [Product Line Information](#)

Related Products:

- [Tooling](#)

Product Features (Please use the Product Drawing for all design activity)

Product Type Features:

- Product Series = M Series
- Product Type = Connector
- Connector Type = Housing
- Strain Relief = Without
- Sealed = No

Mechanical Attachment:

- Panel Mount Retention = With
- Panel Mount Retention Type = Screw Mount

Dimensions:

- Length (X-Axis) (mm [in]) = 23.24 [0.915]
- Width (Z-Axis) (mm [in]) = 19.05 [0.750]
- Profile Height (Y-Axis) (mm [in]) = 65.86 [2.593]

Body Features:

- Mating Retention = Without

Contact Features:

- Contact Type = Socket

Housing Features:

- Connector Style = Receptacle
- Centerline (mm [in]) = 4.57 [0.180]
- Housing Material = Phenolic - GF
- Housing Color = Black
- Mating Alignment = With
- Mating Alignment Type = Guide Hole
- UL Flammability Rating = UL 94V-0

Configuration Features:

- Number of Positions = 50

Industry Standards:

- [RoHS/ELV Compliance](#) = RoHS compliant, ELV compliant
- [Lead Free Solder Processes](#) = Wave solder capable to 260°C, Wave solder capable to 240°C, Wave solder capable to 265°C
- [RoHS/ELV Compliance History](#) = Always was RoHS compliant

Environmental:

- Operating Temperature (°C [°F]) = -55 - +150 [-67 - +302]

Conditions for Usage:

- Applies To = Panel, Wire/Cable
- For Use With = Pin Housing

Operation/Application:

- Application Use = Cable-to-Cable / Cable-to-Panel

Packaging Features:

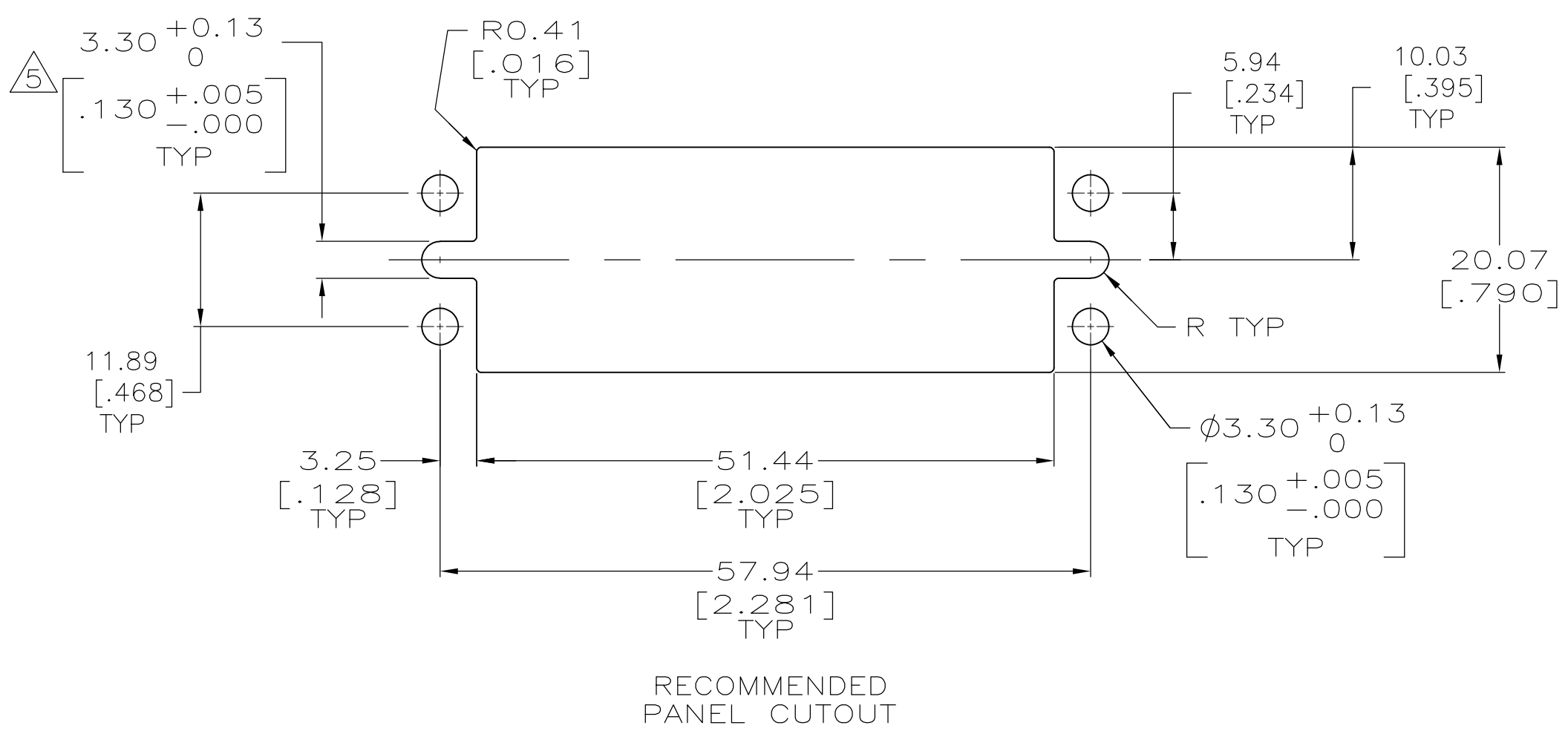
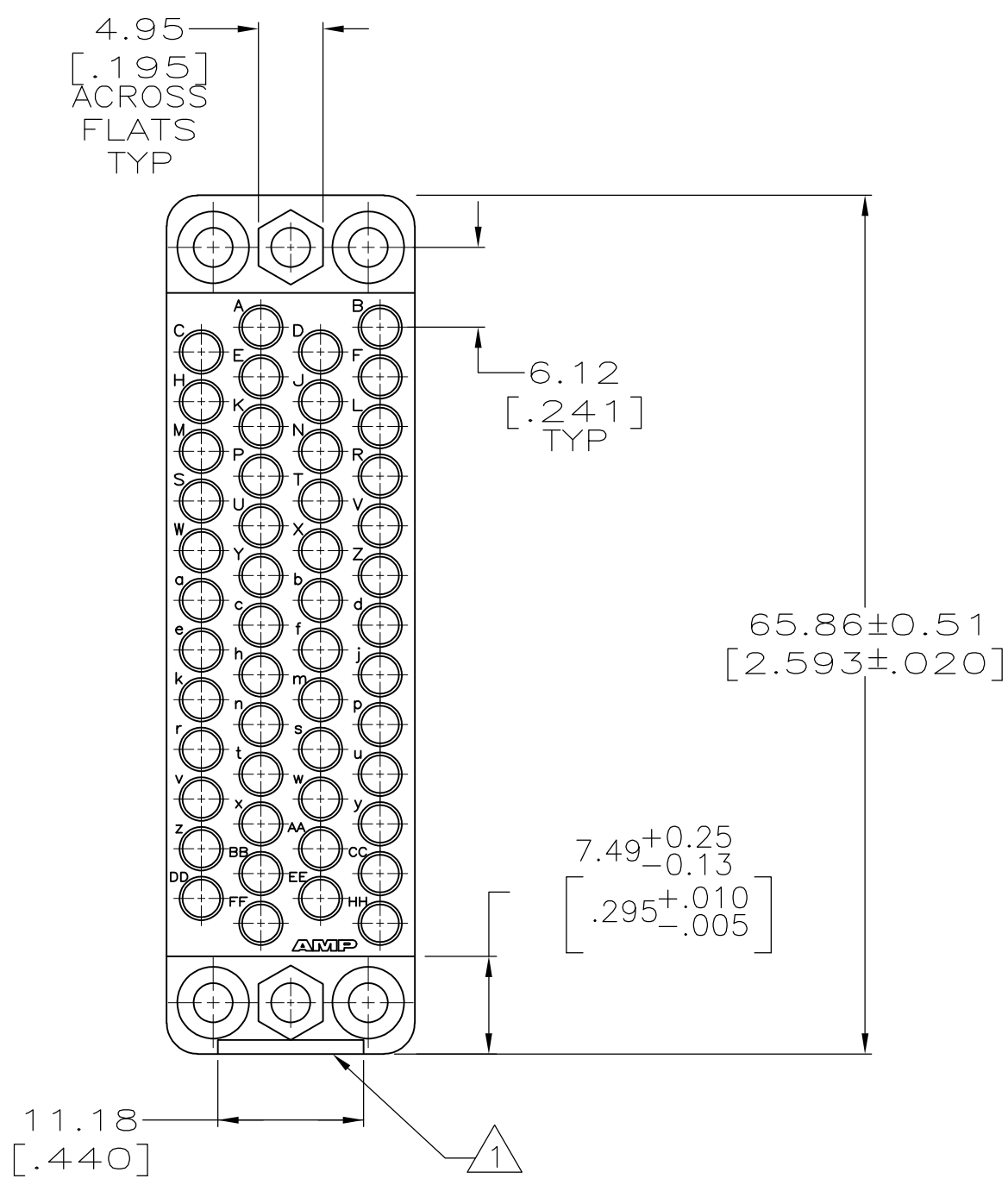
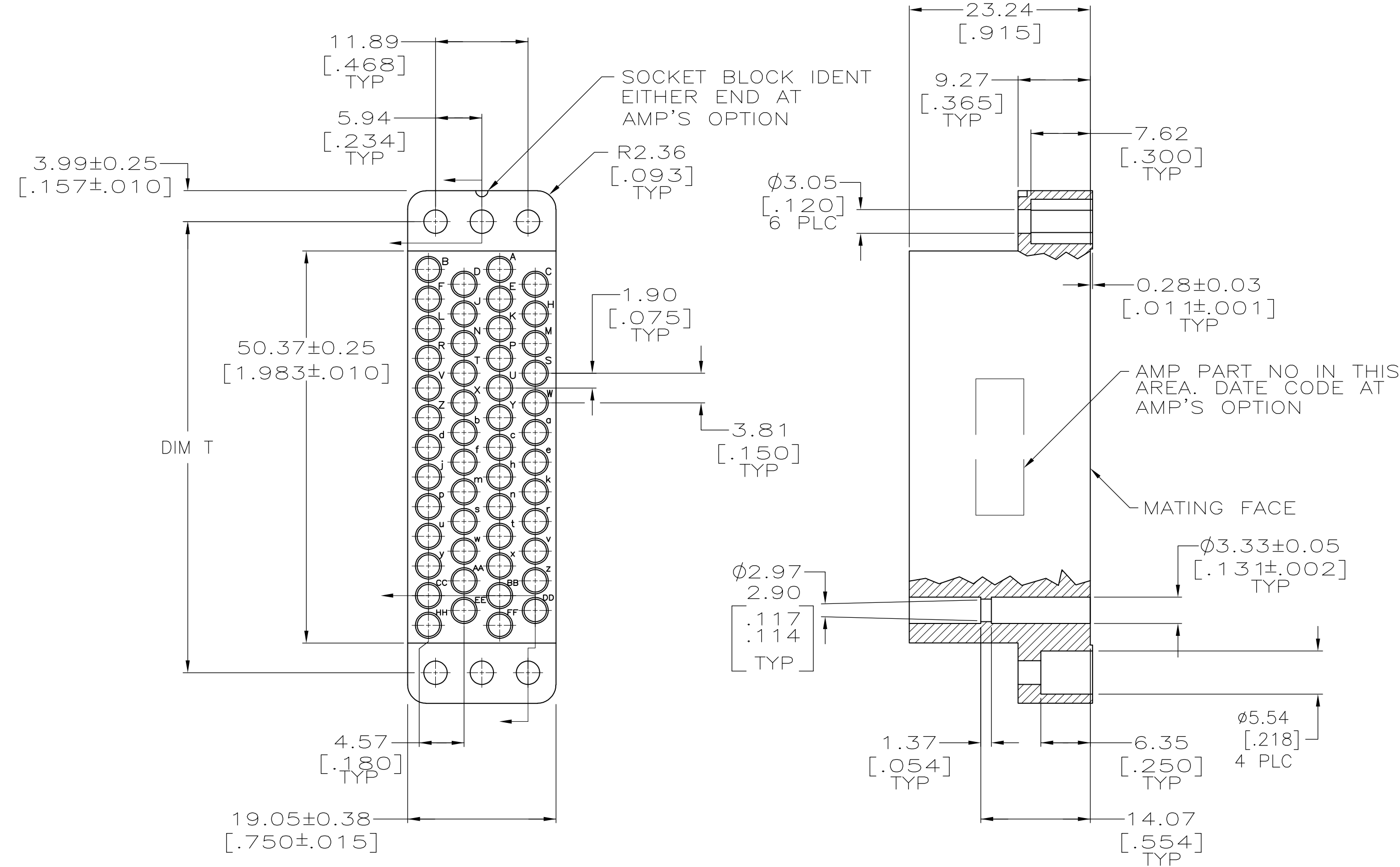
- Packaging Method = Carton
- Packaging Quantity = 70

Other:

- Brand = AMP
- Comment = Pins and/or sockets may be used in any housing.; Housing cavity identification are mirror image.; Housing accepts type II, type III+ and Subminiature Coaxicon contacts.

THIS DRAWING IS UNPUBLISHED. RELEASED FOR PUBLICATION
 © COPYRIGHT BY TYCO ELECTRONICS CORPORATION. ALL RIGHTS RESERVED.

LOC		DIST		REVISIONS					
FT		0		P	LTR	DESCRIPTION	DATE	DWN	APVD
				AN1		REVISED PER ECO-07-028849	12/6/07	SS	GS



- △ DEPRESSION OPTIONAL AT EITHER END.
- △ PHENOLIC PER MIL-M-14, TYPE CFG, BLACK.
- △ DIALYL PHTHALATE PER MIL-M-14, TYPE SDG-F, BLUE.
- 4. WHEN MATING WITH BLOCK 201358 ACCOMODATES TYPE II OR TYPE III+ #16 PIN OR SOCKET CONTACTS.
- △ 5.54±0.13 [.218±.005] WHEN USING JACKSCREWS.

2.281±.015 ±.000	△ 3	200277-4
2.281±.005 ±.003	△ 2	200277-2
DIM T	MATERIAL	PART NUMBER

THIS DRAWING IS A CONTROLLED DOCUMENT.		DWN B.CARBO 11 AUG 97	Tyco Electronics Corporation Harrisburg, PA 17105-3608	
DIMENSIONS: mm [INCHES]		CHK R.STONE 18 AUG 97	NAME	
TOLERANCES UNLESS OTHERWISE SPECIFIED:		APVD G.STEINHAUER 05 SEP 97	BLOCK, FEMALE, 50 POS, MINIATURE RECTANGULAR, M SERIES	
0 PLC ± -		PRODUCT SPEC	SIZE CAGE CODE DRAWING NO RESTRICTED TO	
1 PLC ± -		APPLICATION SPEC	A2 00779 C=200277	
2 PLC ± 0.13 [.005]		WEIGHT -	SCALE 2:1 SHEET 1 OF 1 REV AN1	
3 PLC ± -		CUSTOMER DRAWING		
4 PLC ± -				
ANGLES ± -				
FINISH -				