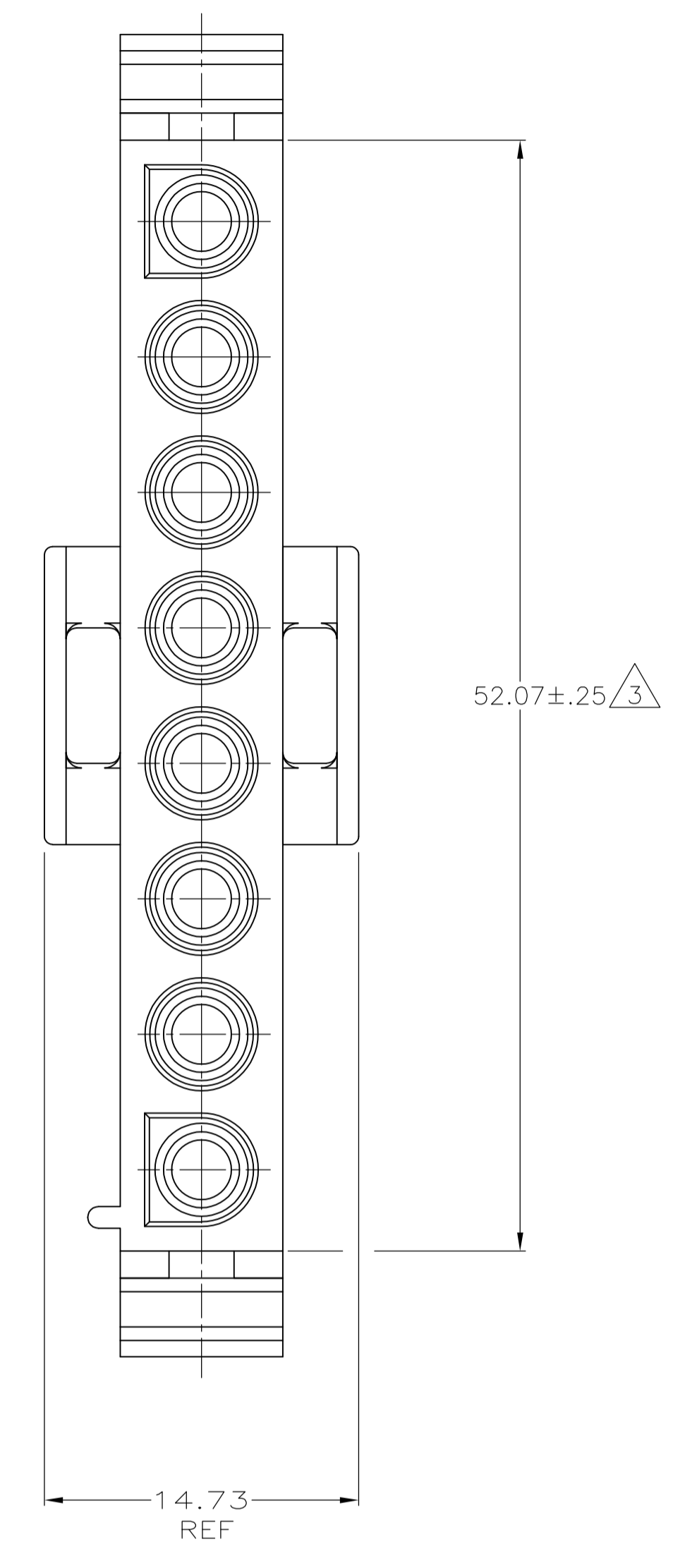
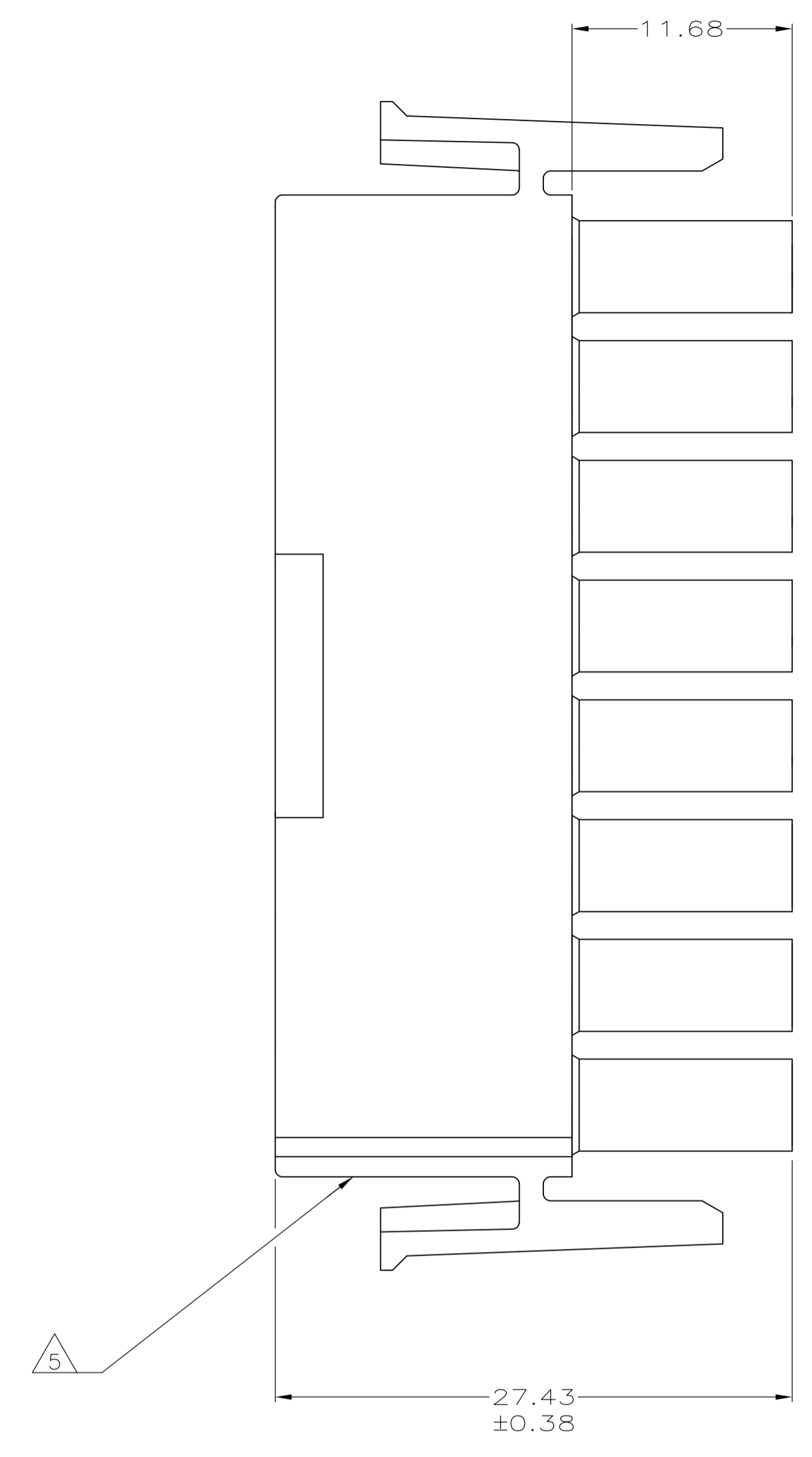
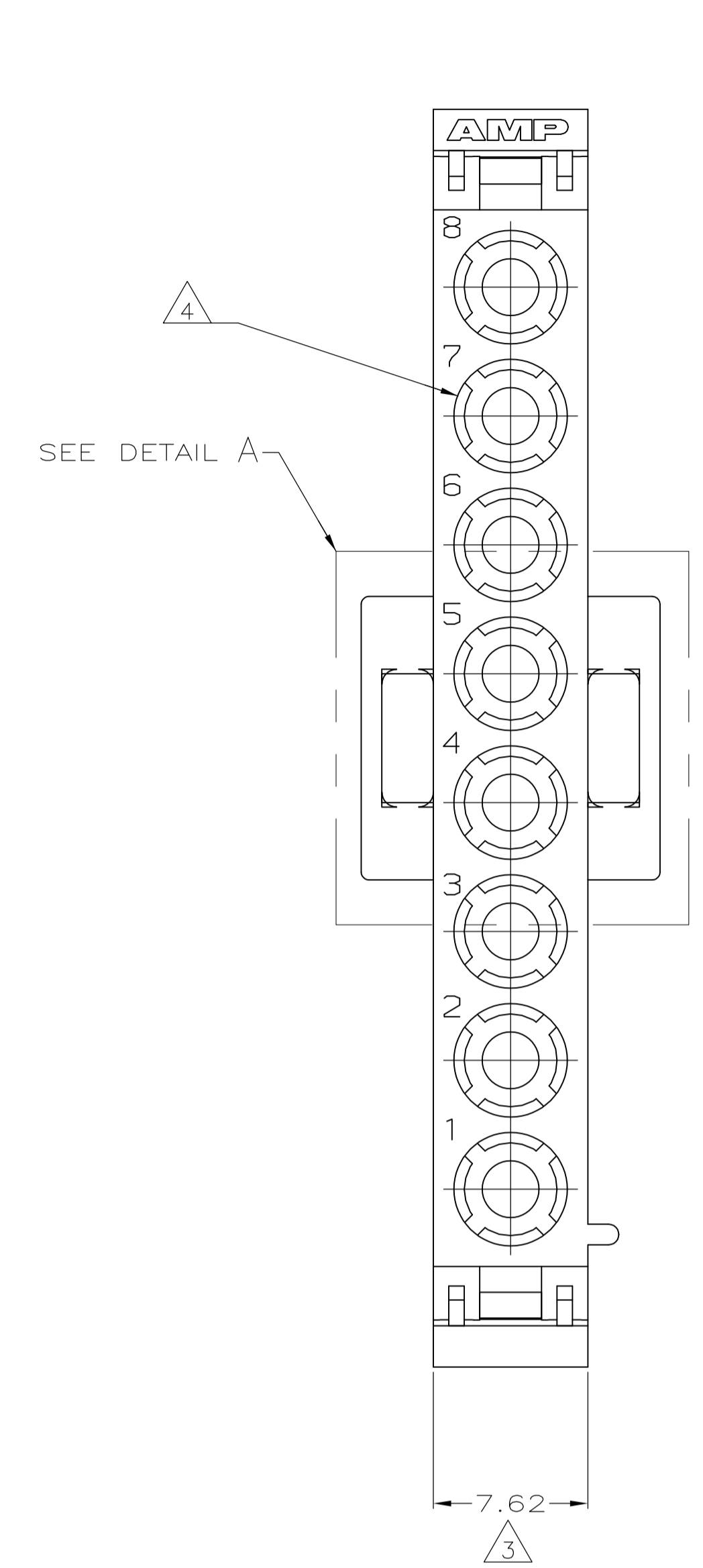
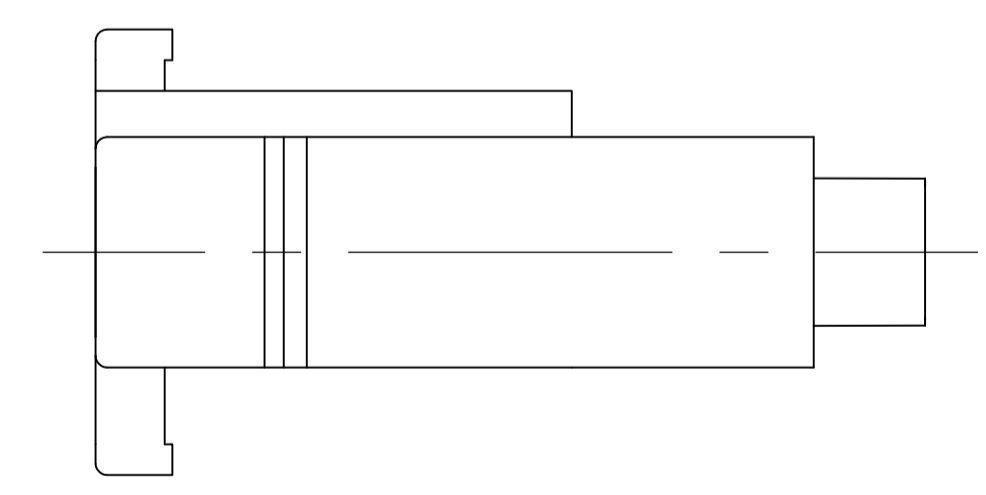
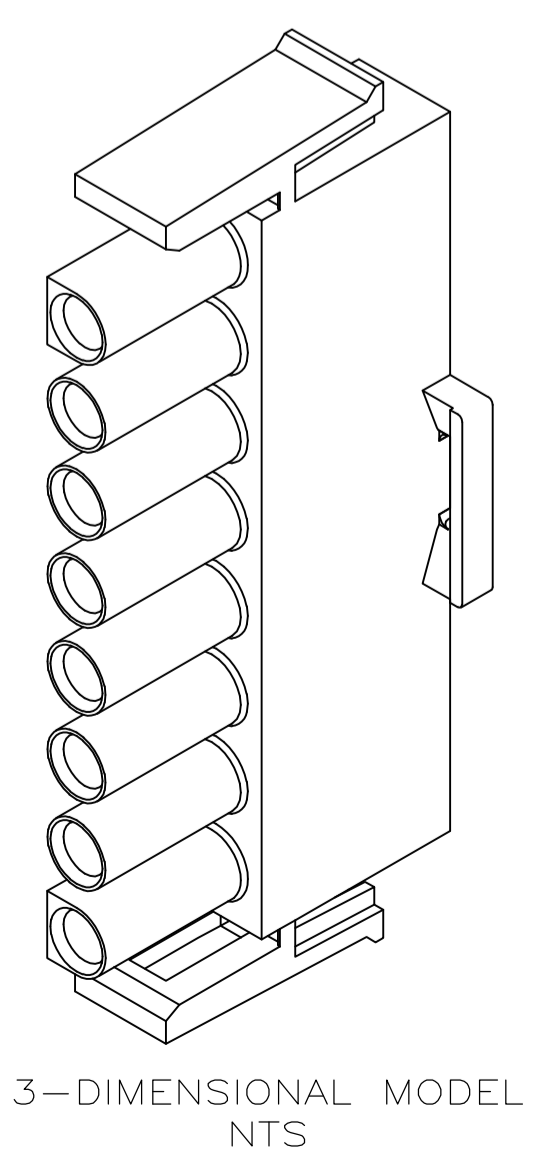
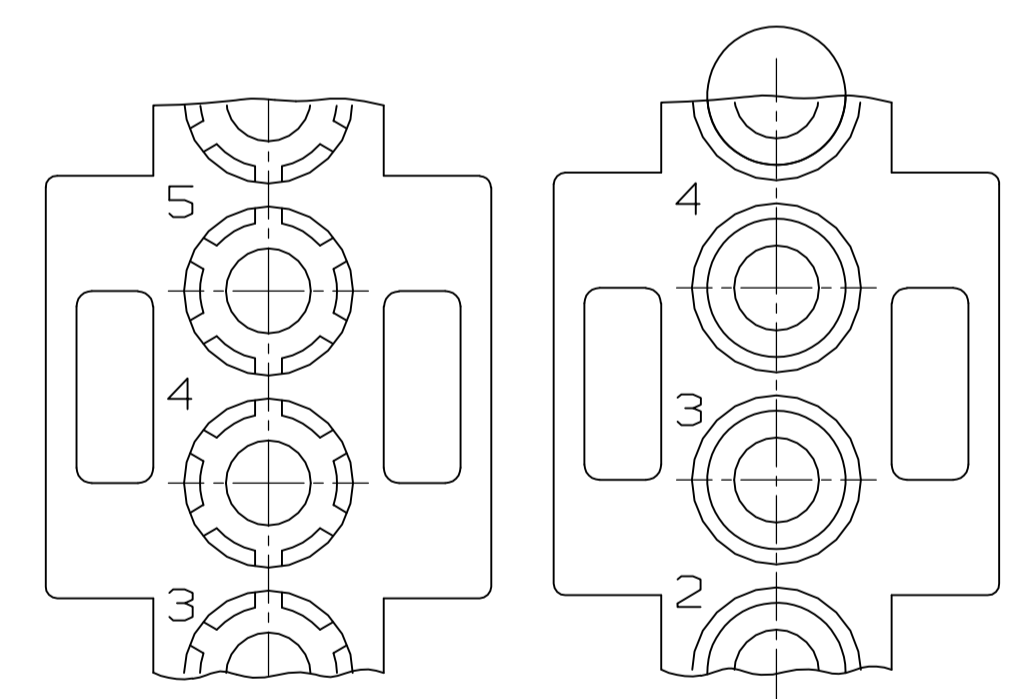


LOC	DIST	REVISIONS			
P	LTR	DESCRIPTION	DATE	DNW	APVD
CM	53	S1	REVISED PER ECR-15-018109	23DEC2015	BW EW



- 1 MATES WITH APPROPRIATE UNIVERSAL MATE-N-LOK™ CAP OR HEADER.
- 2 SMALL NICKS ARE PERMITTED ON THE CIRCUIT TOWERS WHICH COULD INCREASE THE INITIAL HOUSING MATING FORCE BY UP TO 4.4 NEWTONS [1.0 LBS]. NO INDIVIDUAL NICKED TOWER SHALL INCREASE THIS FORCE BY OVER 2.2 NEWTONS [.5 LBS].
- 3 DIMENSION INDICATED IS AS MOLDED. ADDITIONAL GROWTH DUE TO SUBSEQUENT MOISTURE ABSORPTION MAY OCCUR.
- 4 FOUR RIBS EQUALLY SPACED, NO SPECIFIC ORIENTATION. NO RIBS OR SIX RIBS EQUALLY SPACED, NO SPECIFIC ORIENTATION, OPTIONAL.
- 5 UNDERWRITERS RECOGNIZED COMPONENT LOGO AND CSA CERTIFICATION LOGO TO BE LOCATED ONCE EACH ON SIDE OF HOUSING.



DIMENSIONS:	TOLERANCES UNLESS OTHERWISE SPECIFIED:
INCHES	
52.07	2.050
27.43	1.080
14.73	.580
11.68	.460
7.62	.300
0.38	.015
0.13	.005
MM	IN

CONVERSION TABLE

THIS DRAWING IS A CONTROLLED DOCUMENT.

DIN	K. WHITAKER	2-28-92
CHK	R. SWING	2-28-92
APP'D	D. SELF	3-5-92
PRODUCT SPEC		
APPLICATION SPEC		
FINISH		

MATERIAL: NYLON, UL94V-2 NYLON

TE Connectivity

PLUG, 8 CIRCUIT, UNIVERSAL MATE-N-LOK™

SIZE: A1 00779 C=640586

CUSTOMER DRAWING SCALE: 4:1 SHEET: 1 OF 1 REV: S1

640586-1 PART NO