

211398-1 Product Details



211398-1

TE Internal Number: 211398-1



CPC (Circular Plastic) and Circular Metal-Shell Connectors

 Always EU RoHS/ELV Compliant (Statement of Compliance)

Product Highlights:

- Housing
- Connector Style = Receptacle
- 7 Positions
- 7 Signal Positions
- 0 Power Positions

Documentation & Additional Information

Product Drawings:

- [RECEPTACLE, HOUSING, REVERSE SEX, 13-7, CPC](#) (PDF, English)

Catalog Pages/Data Sheets:

- [AMP Circular Connectors for Commercial Signal & Powe...](#) (PDF, English)

Product Specifications:

- None Available

Application Specifications:

- [Circular Plastic Connectors \(CPC\)](#) (PDF, English)

Instruction Sheets:

- None Available

CAD Files: (CAD Format & Compression Information)

- [2D Drawing](#) (DXF, Version AD)
- [3D Model](#) (IGES, Version AD)
- [3D Model](#) (STEP, Version AD)

Additional Product Images:

- [Contact Arrangement](#)
- [Keying Options](#)

Related Products:

- [Tooling](#)
- [Mating Products \(1\)](#)

Product Features (Please use the Product Drawing for all design activity)

Product Type Features:

- Connector Type = Housing
- Mount Angle = Straight
- Shell Size = 13
- PCB Mount Retention = Without
- Shell Type = All Plastic
- Product Series = Series 1
- Thread Size = 3/4 - 20 UNEF-2A
- Sealed = No

Mechanical Attachment:

- Mount = Panel
- Mating Retention Type = Threaded Coupling

Body Features:

- Mount Style = Flange with Mounting Holes

Contact Features:

- Contact Type = Socket
- Reverse Gender = Reverse

Housing Features:

- Connector Style = Receptacle
- Mating Alignment Type = Keyed
- Housing Material = Nylon
- Housing Color = Black
- UL Flammability Rating = UL 94V-0

Configuration Features:

- Number of Positions = 7
- Number of Signal Positions = 7
- Number of Power Positions = 0
- Environmental Protection = Without
- Reverse Numbering = Without

Industry Standards:

- VDE Tested = Yes
- RoHS/ELV Compliance = RoHS compliant, ELV compliant
- Lead Free Solder Processes = Not relevant for lead free process
- RoHS/ELV Compliance History = Always was RoHS compliant

Identification Marking:

- Keying = A

Environmental:

- Fluid Resistance = None

Conditions for Usage:

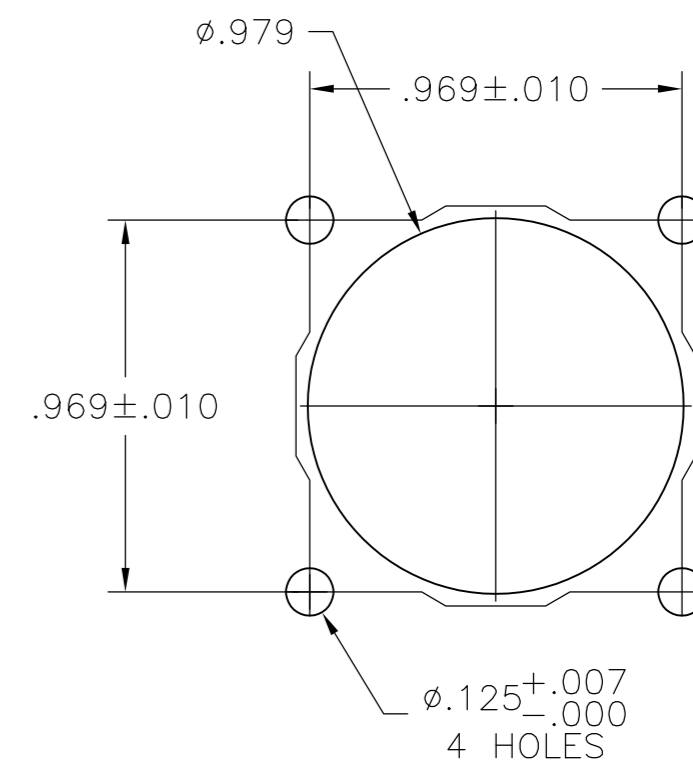
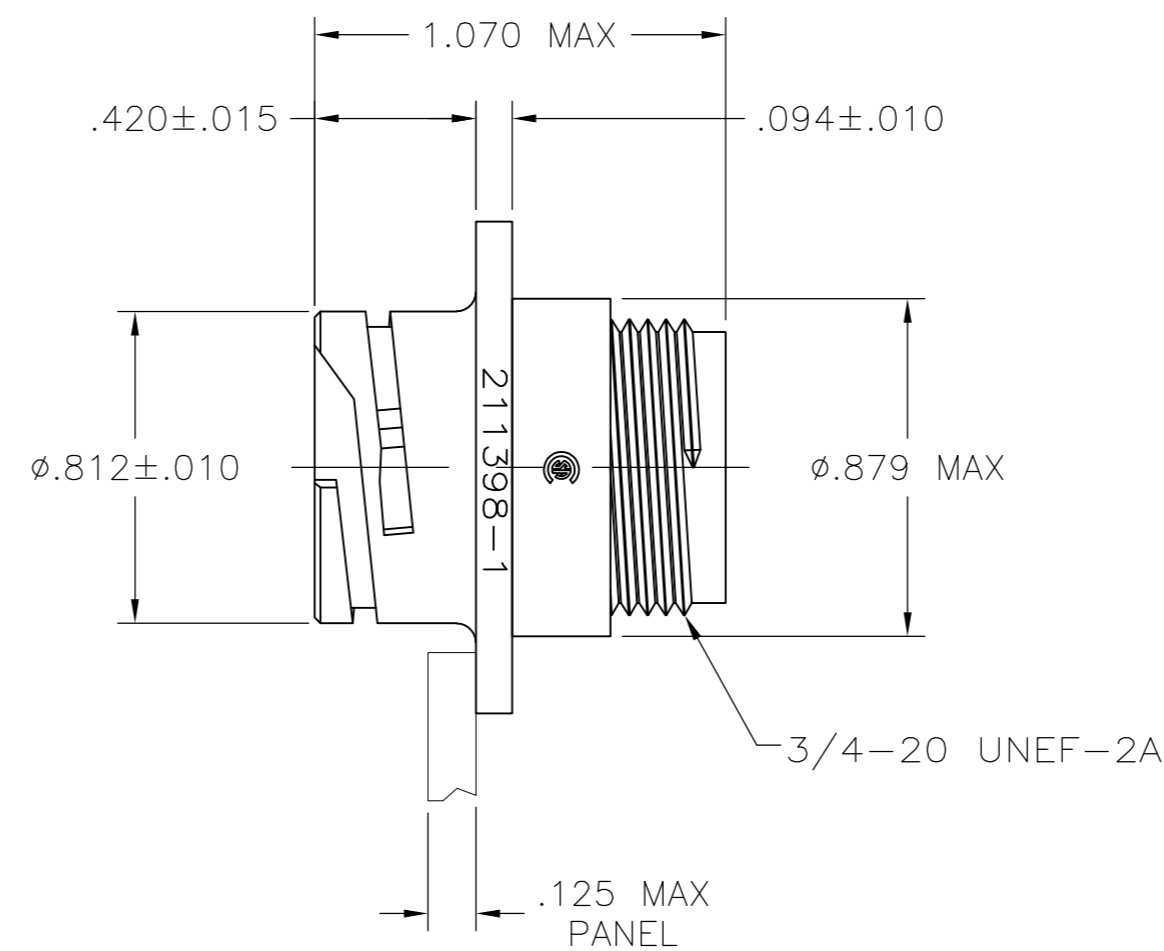
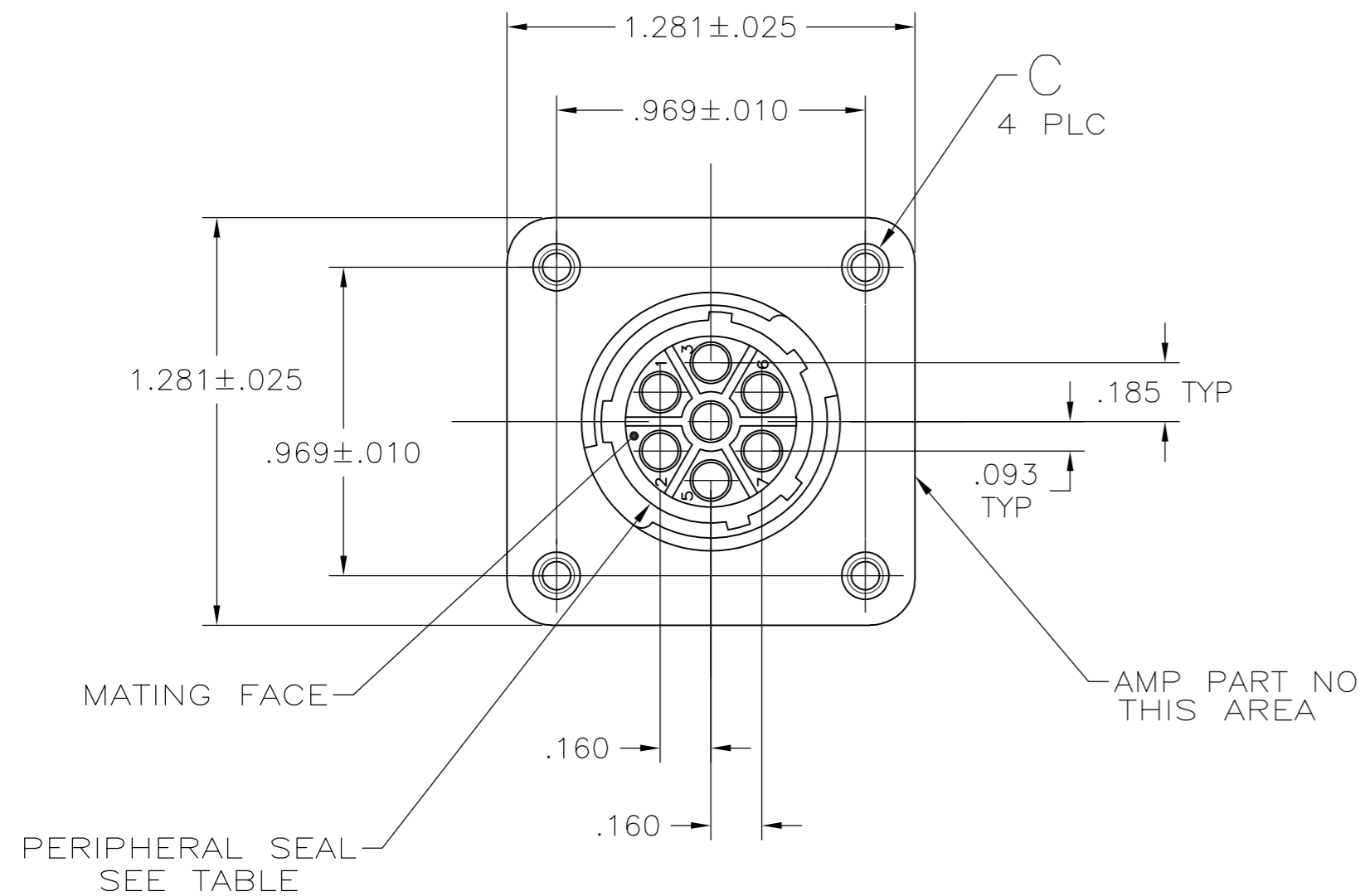
- Accepts Wire Insulation Diameter, Range (mm [in]) = 2.54 [0.100]

Other:

- Brand = AMP

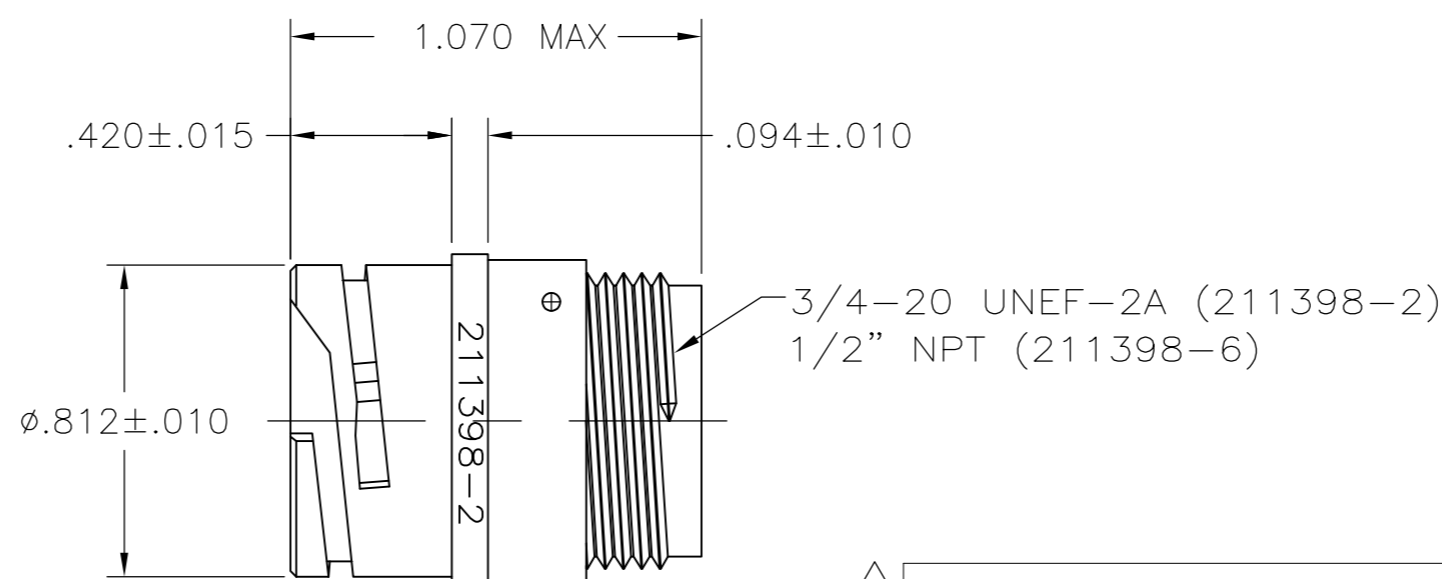
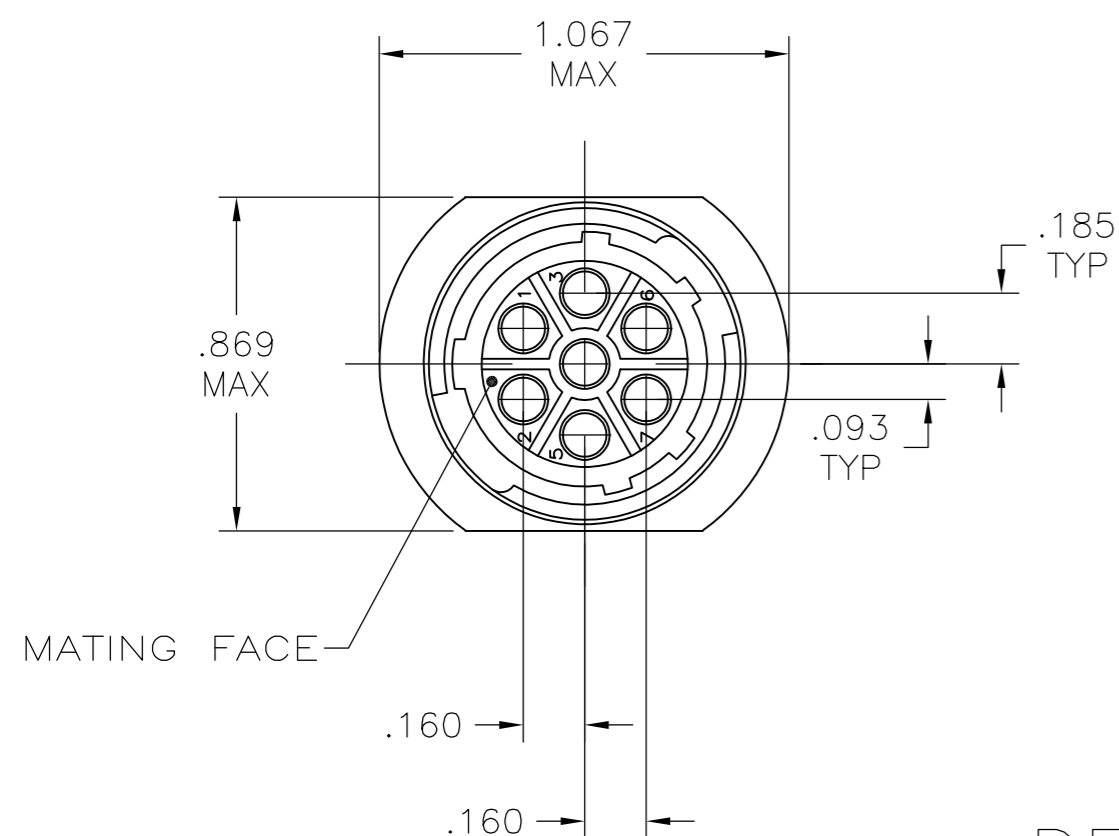
THIS DRAWING IS UNPUBLISHED. RELEASED FOR PUBLICATION
 © COPYRIGHT - By - ALL RIGHTS RESERVED.

LOC		DIST		REVISIONS			
P	LTR	DESCRIPTION		DATE	DWN	APVD	
	K2	REVISED PER ECO-13-006250		12APR2013	KH	ZM	



RECOMMENDED PANEL CUTOUT

DETAIL A



DETAIL B

3	-	NO	B	211398-6
3	4-40 THREADED INSERTS	YES	A	211398-5
	4-40 THREADED INSERTS	NO	A	211398-4
	0.150±.003	YES	A	211398-3
	-	NO	B	211398-2
	0.150±.003	NO	A	211398-1
	C	PERIPHERAL SEAL	SEE DETAIL	PART NUMBER

NOTES:

- CAVITY IDENTIFICATION ON FRONT AND REAR FACE.
- WILL ACCEPT SEVEN (7) MULTIMATE SOCKET CONTACTS.
- PRELIMINARY PART NUMBER.

4 COMPARATIVE TRACKING INDEX OF HOUSING MATERIAL PER UL746A=400 MIN.

THIS DRAWING IS A CONTROLLED DOCUMENT.		DWN 07-27-94 D.HARDY														
DIMENSIONS: INCHES		CHK 08-10-94 R.STONE														
TOLERANCES UNLESS OTHERWISE SPECIFIED:		APVD 10-03-94 A.FRANTUM	NAME RECEPTACLE, HOUSING, REVERSE SEX, 13-7, CPC													
<table border="1"> <tr><td>0 PLC</td><td>± -</td></tr> <tr><td>1 PLC</td><td>± -</td></tr> <tr><td>2 PLC</td><td>± .005</td></tr> <tr><td>3 PLC</td><td>± -</td></tr> <tr><td>4 PLC</td><td>± -</td></tr> <tr><td>ANGLES</td><td>± 0°30'</td></tr> </table>		0 PLC	± -	1 PLC	± -	2 PLC	± .005	3 PLC	± -	4 PLC	± -	ANGLES	± 0°30'	APPLICATION SPEC	SIZE A2	CAGE CODE 00779
0 PLC	± -															
1 PLC	± -															
2 PLC	± .005															
3 PLC	± -															
4 PLC	± -															
ANGLES	± 0°30'															
MATERIAL NYLON, BLACK	FINISH -	WEIGHT -	DRAWING NO C=211398	RESTRICTED TO -												
CUSTOMER DRAWING			SCALE 2:1	SHEET 1 of 1												