

4

3

2

1

THIS DRAWING IS UNPUBLISHED.

RELEASED FOR PUBLICATION

2009

© COPYRIGHT 2009

ALL RIGHTS RESERVED.

LOC

DIST


REVISIONS

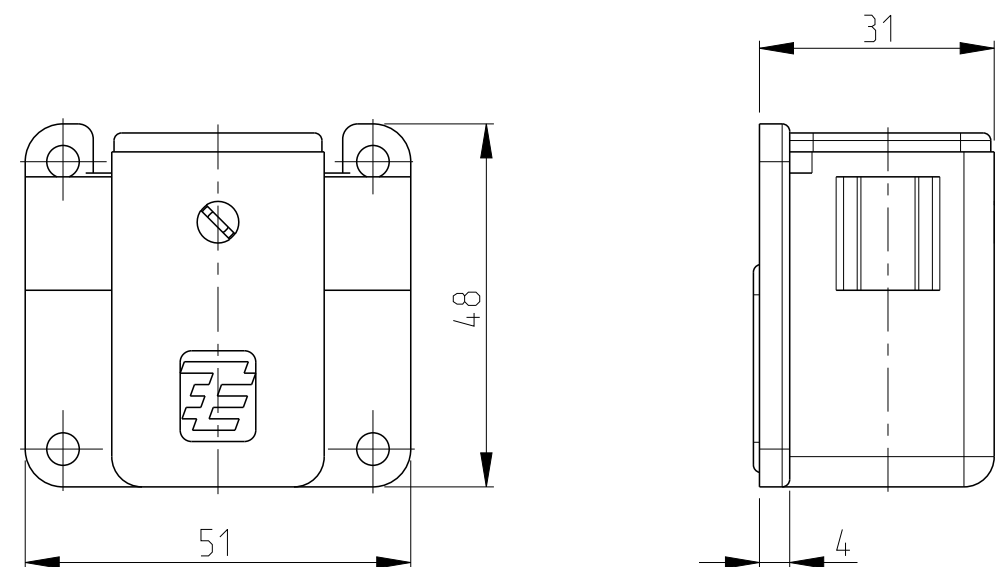
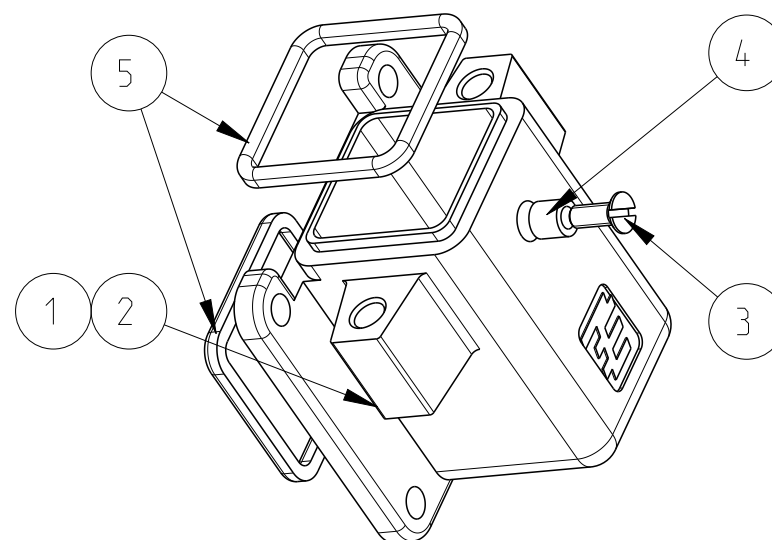
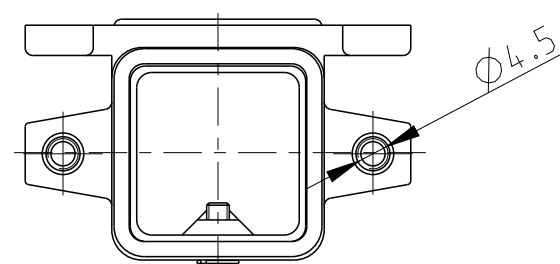
A1

-

P	LTR	DESCRIPTION	DATE	DWN	APVD
	A7	ECR-09-023155	22OCT2009	VG	AR
	A8	ECR-14-006716	15MAY2014	RK	MKO

Notes

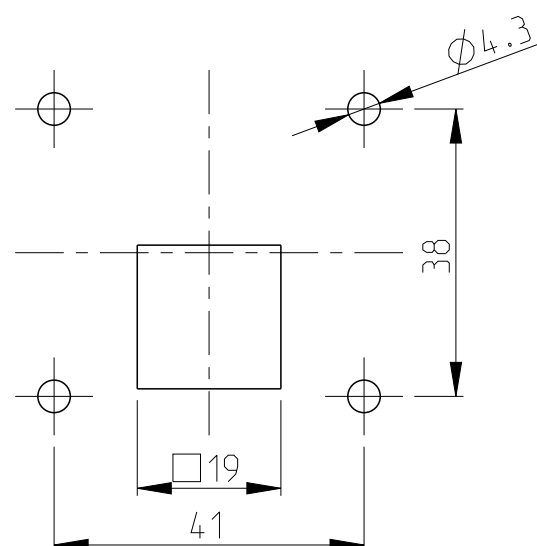
- SUITABLE HOUSINGS: SERIES EMV, SIZE 1
CUSTOMER DRAWING 1102700, 1106402, 1106200
- STANDARDS:
DIN EN 61984, DIN EN 60664-1
-  SUR TEC 650 CHROMIT AL TCP PASSIVATION
- TOOL:
SLOTTED SCREW DRIVER 4,0x0,8
- VARNISH ON INSIDE AREA NOT NECESSARY
- PACKAGING:
10 SETS IN A CARTON, PRE-MOUNTED

PN 4-5 AS SHOWN

3-1102702-5	EMV.3/4.SGF
4-1102702-5	EMV-K.3/4.SGF
PART NO.	ORDERING TEXT

PANEL-CUT-OUT



2	2	PROFILE SEAL	FKM	BLACK	SERIES EMV / HIP	5
1	1	HOSE SECTION	FKM	BLACK	SERIES EMV / HIP $\varnothing 3 \times 1 \times 4.5$	4
1	1	SCREW, SLOTTED COUNTERS. FLAT HEAD	STAINL. STEEL	BLANK	M3x8 DIN EN ISO 2009	3
1	-	ANGLED BULKHEAD HOUSING	ALU	BLACK SEE NOTE 	SERIES EMV-K	2
-	1	ANGLED BULKHEAD HOUSING	ALU	GREY	SERIES EMV	1
4-5	3-5					
		DESCRIPTION	MATERIAL	COLOR/SURFACE	NOTE	ITEM

PARTS LIST (PER ONE UNIT)

THIS DRAWING IS A CONTROLLED DOCUMENT.

DWN V.GLUMM 25AUG2009

CHK H.Braun 25AUG2009

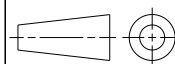
APVD T.Schnurpfeil 25AUG2009

PRODUCT SPEC

APPLICATION SPEC

WEIGHT

Customer Drawing

DIMENSIONS:
mm


MATERIAL

TOLERANCES UNLESS OTHERWISE SPECIFIED:

0 PLC	±-
1 PLC	±-
2 PLC	±-
3 PLC	±-
4 PLC	±-
ANGLES	±1°
FINISH	-

FINISH

 TE Connectivity
NAME
ANGLED BULKHEAD HOUSING ASS'Y
BOTTOM ENTRY, SERIES EMV, SIZE 1

RESTRICTED TO

SIZE A3 CAGE CODE 00779 DRAWING NO. C-1102702

SCALE 1:1 SHEET 1 OF 1 REV A8

1470-19 (3/11)