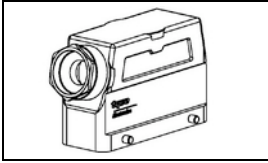


## 1-1102449-6 Product Details

[Share](#) [Print](#) [Email](#)



**1-1102449-6**

TE Internal Number: 1-1102449-6

Active

### HTS Connectors and Accessories

Always EU RoHS/ELV Compliant (Statement of Compliance)

#### Product Highlights:

- HD.64 Series
- Accessory
- Accessory Type = Hood
- Product Size = 8
- Locking Device Type = Side Clip at Housing Bottom

[View all Features](#)

### Quick Links

- ▶ [Pricing & Availability](#)
- ▶ [Search for Tooling](#)
- ▶ [Product Feature Selector](#)
- ▶ [Contact Us About This Product](#)

[Add to My Part List](#)

[Request Sample](#)

[Find Similar Products](#)

[Buy Product](#)

### Documentation & Additional Information

#### Product Drawings:

- [Hood HD.64](#) (PDF, English)

#### Catalog Pages/Data Sheets:

- None Available

#### Product Specifications:

- None Available

#### Application Specifications:

- None Available

#### Instruction Sheets:

- None Available

#### CAD Files:

- None Available

[List all Documents](#)

#### Additional Information:

- [Product Line Information](#)

#### Related Products:

- [Tooling](#)

### Product Features (Please use the Product Drawing for all design activity)

#### Product Type Features:

- Product Type = Accessory
- Accessory Type = Hood
- Product Size = 8
- Thread Size = PG29
- Color = Gray

#### Body Features:

- Entry Style = Side
- Dimensions (L x H x W) (mm [in]) = 120.0 x 78.0 x 43.0 [4.72 x 3.07 x 1.69]
- Material = Die Cast Aluminum

#### Contact Features:

- Corrosion Protected = No

#### Configuration Features:

- Locking Device Type = Side Clip at Housing Bottom

#### Industry Standards:

- [RoHS/ELV Compliance](#) = RoHS compliant, ELV compliant
- [Lead Free Solder Processes](#) = Not relevant for lead free process
- [RoHS/ELV Compliance History](#) = Always was RoHS compliant

#### Conditions for Usage:

- Applies To = Cable

#### Packaging Features:

- Packaging Quantity = 5

#### Other:

- Series = HD.64
- Brand = AMP
- Comment = Includes cable fitting

### Corporate Information

- [About TE](#)
- [Investors](#)
- [News Room](#)
- [Supplier Portal](#)
- [Careers](#)
- [Terms & Conditions](#)
- [Privacy Policy](#)

### Quick Links

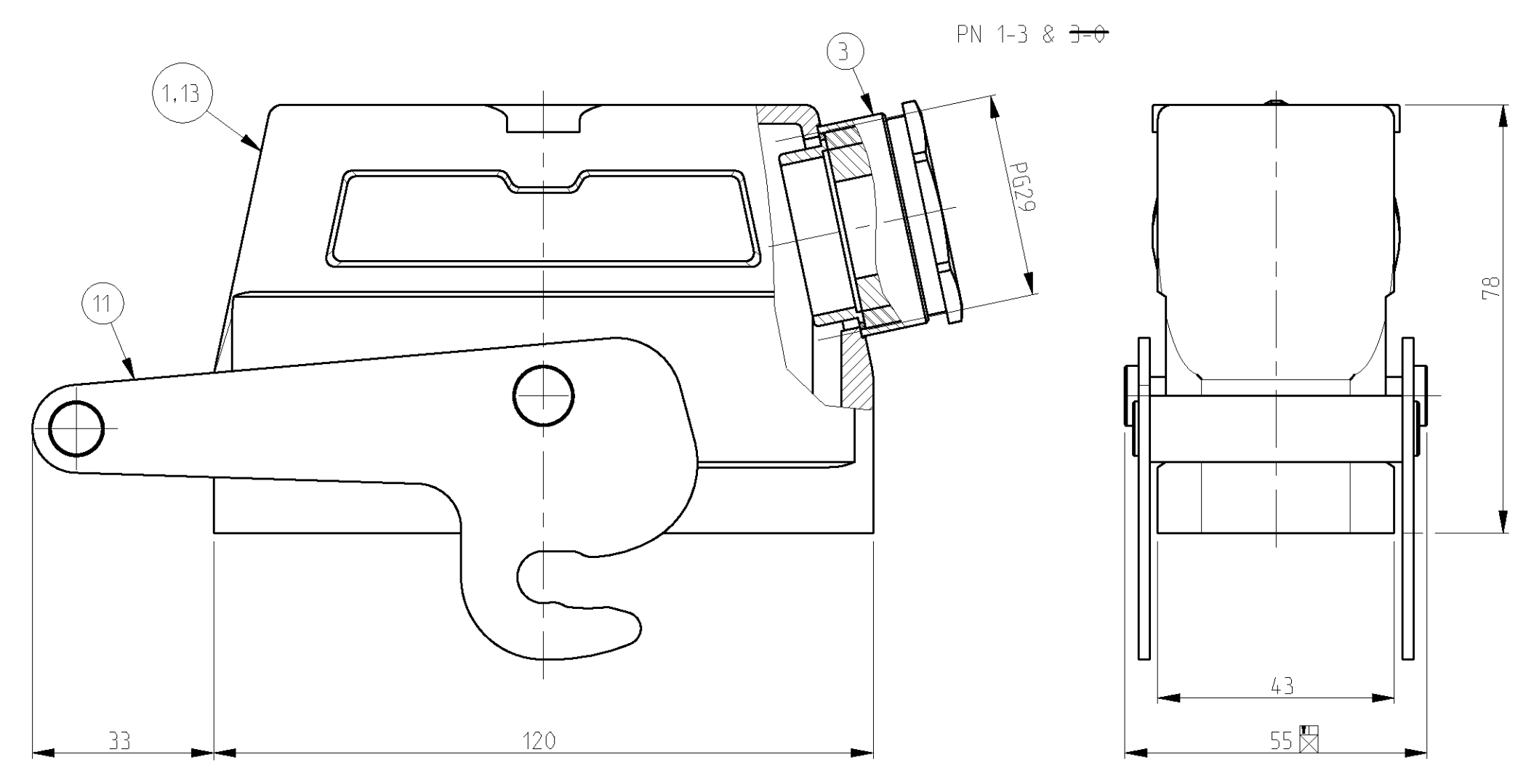
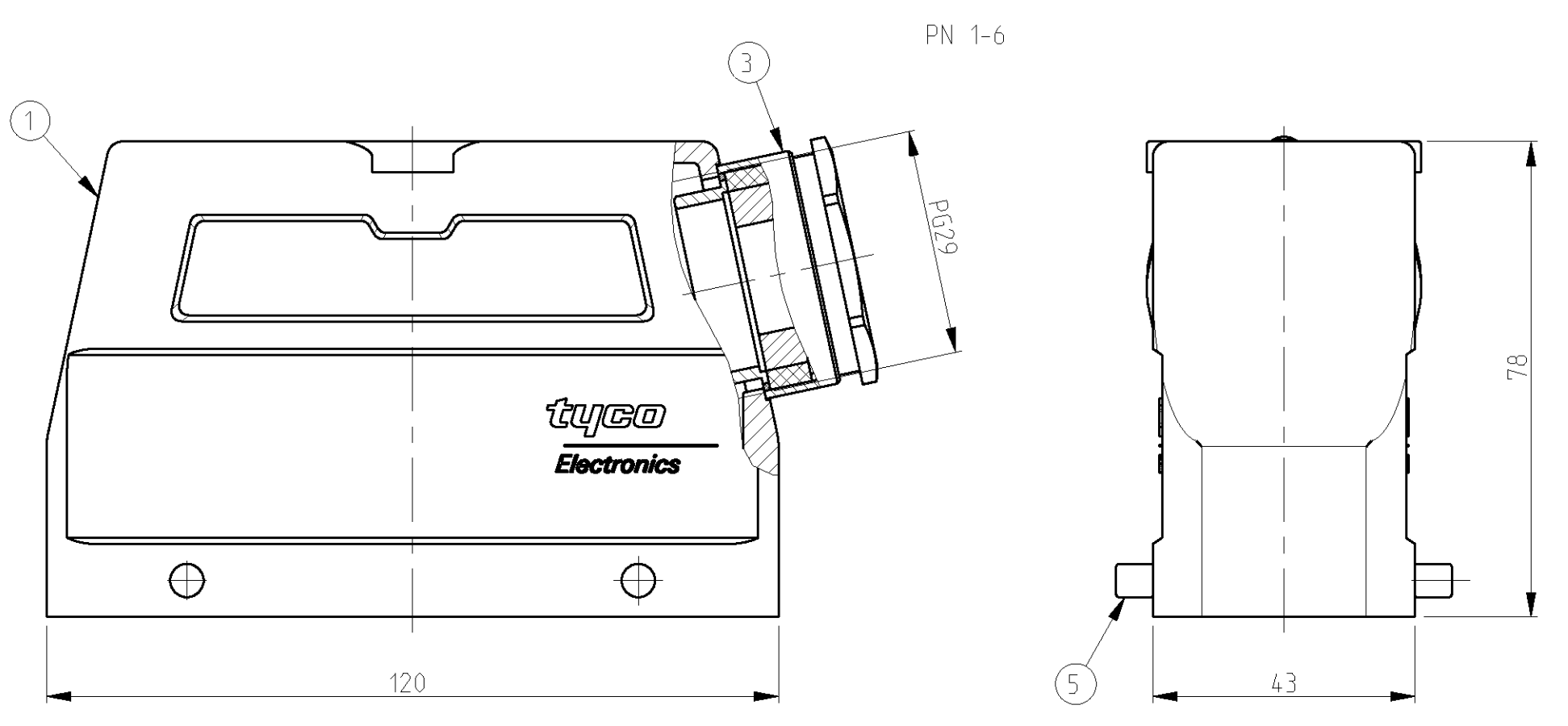
- [Distributor Inventory](#)
- [Product Cross Reference](#)
- [Documents & Drawings](#)
- [Product Compliance Support Center](#)
- [Site Map](#)

### Customer Support

- [Email or Chat With Us](#)
- [Find a Phone Number](#)
- [Knowledge Base](#)
- [Manage Your Account](#)

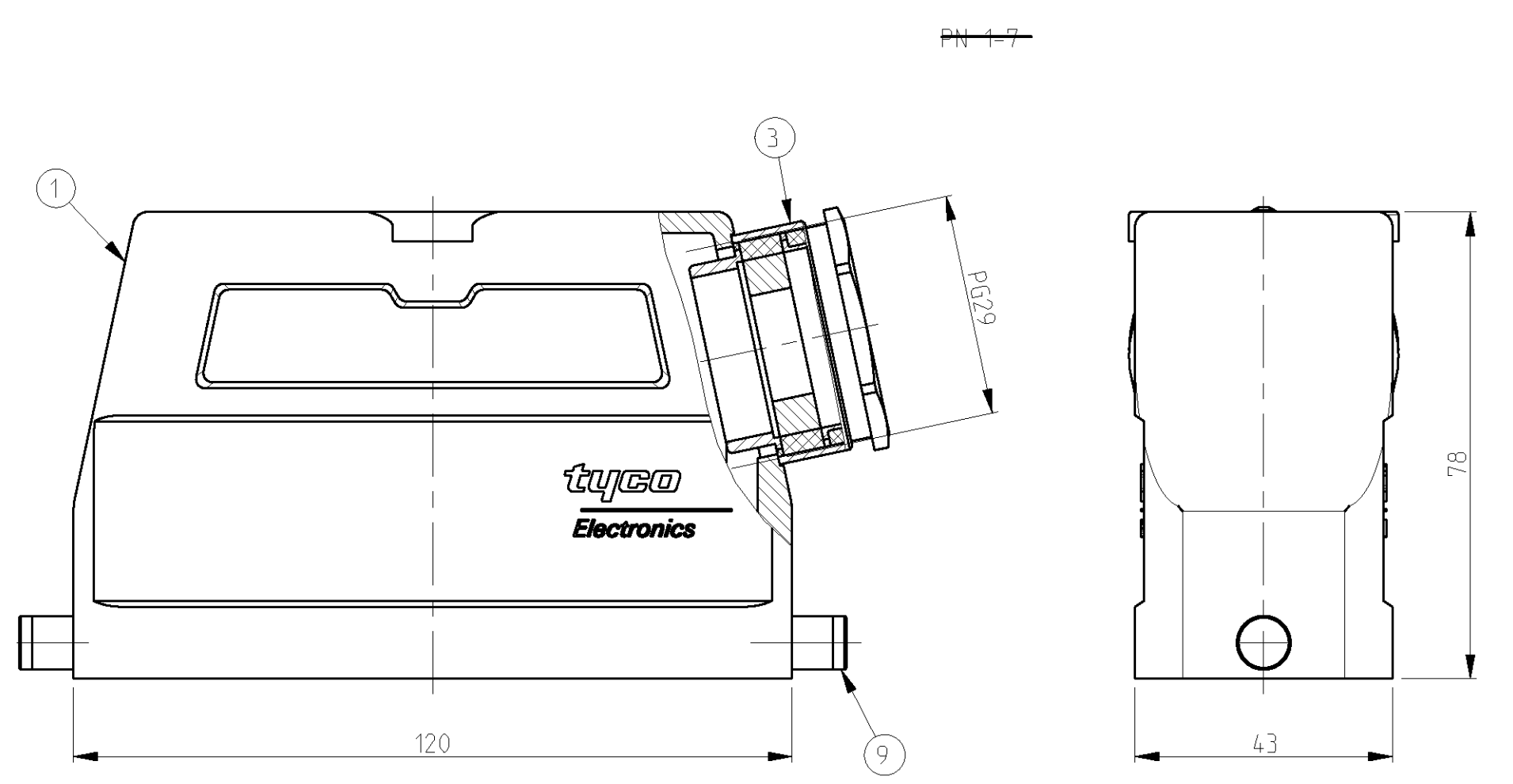
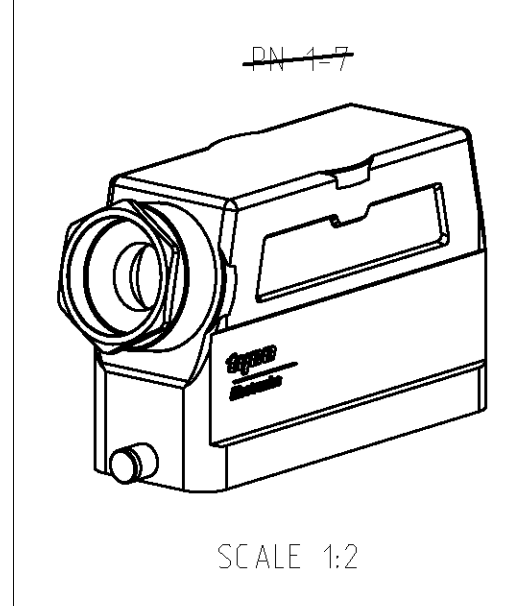
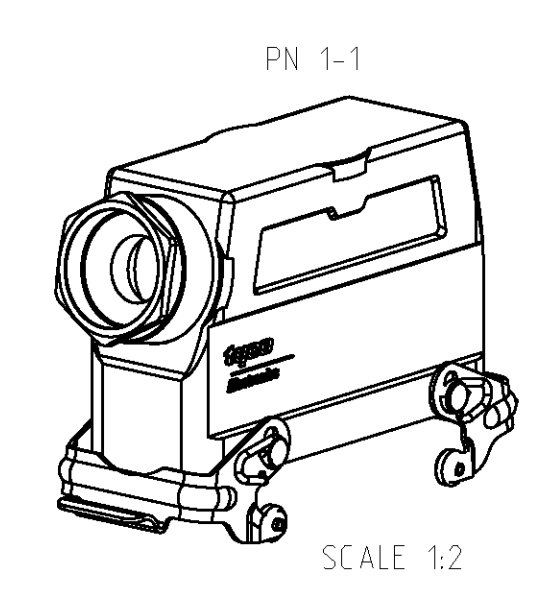
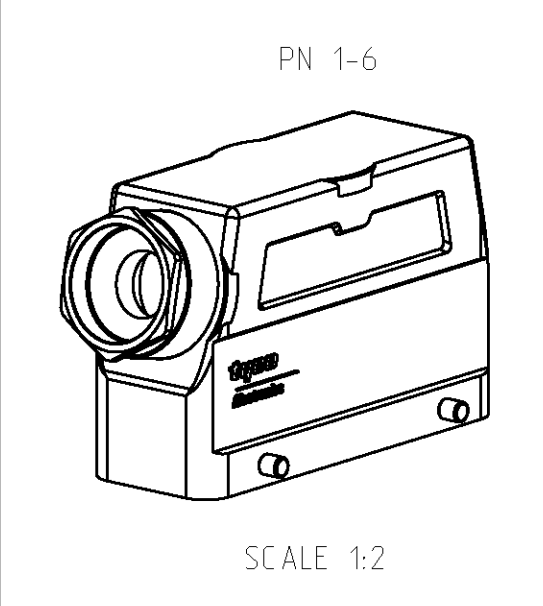
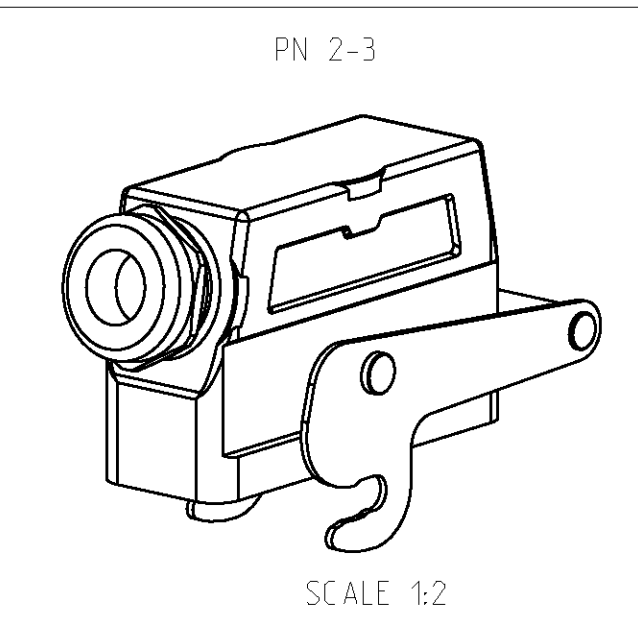
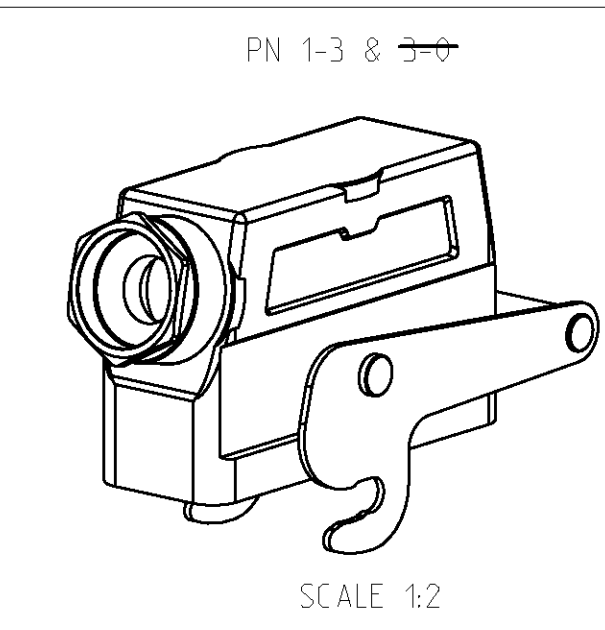
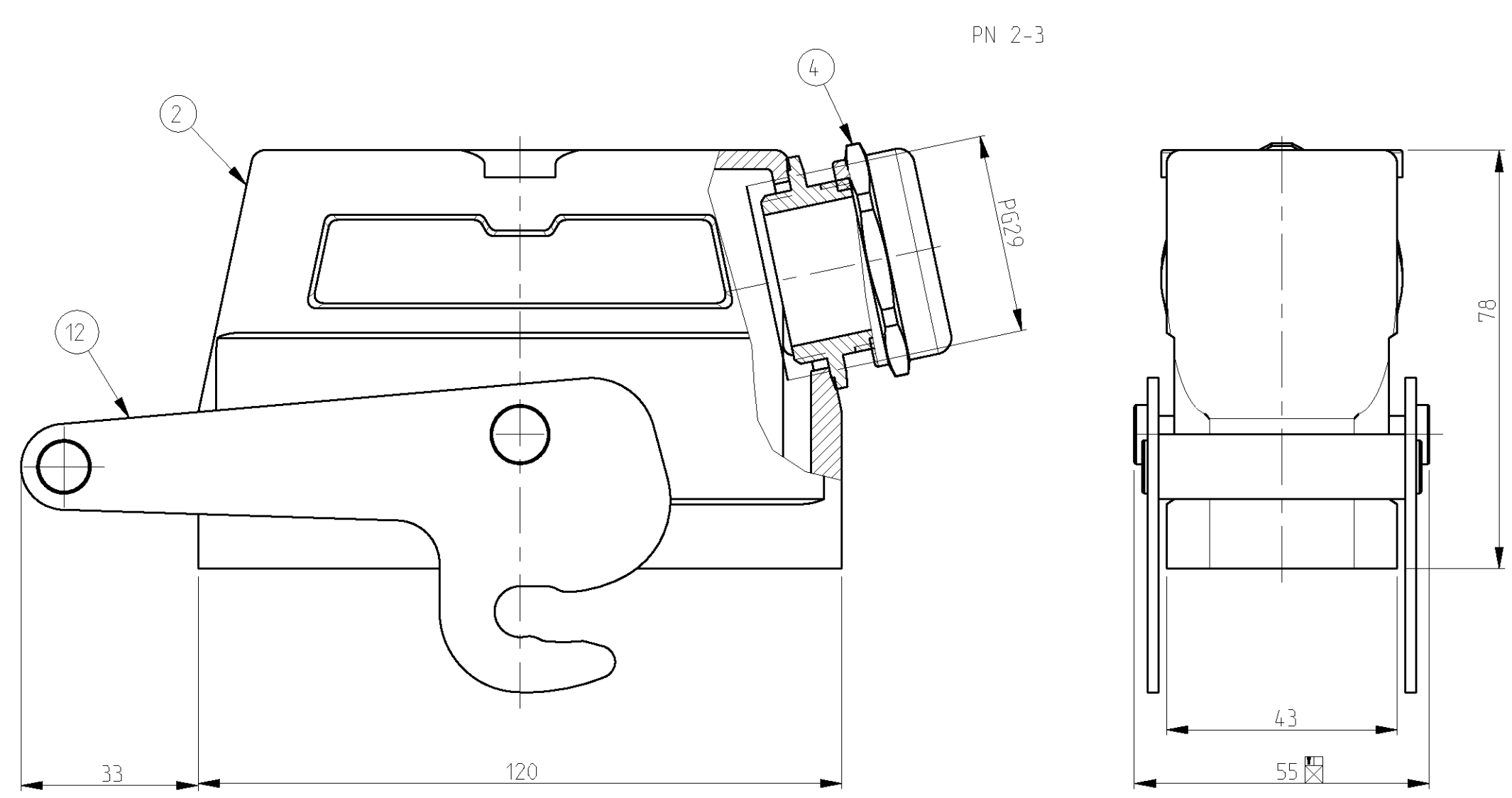
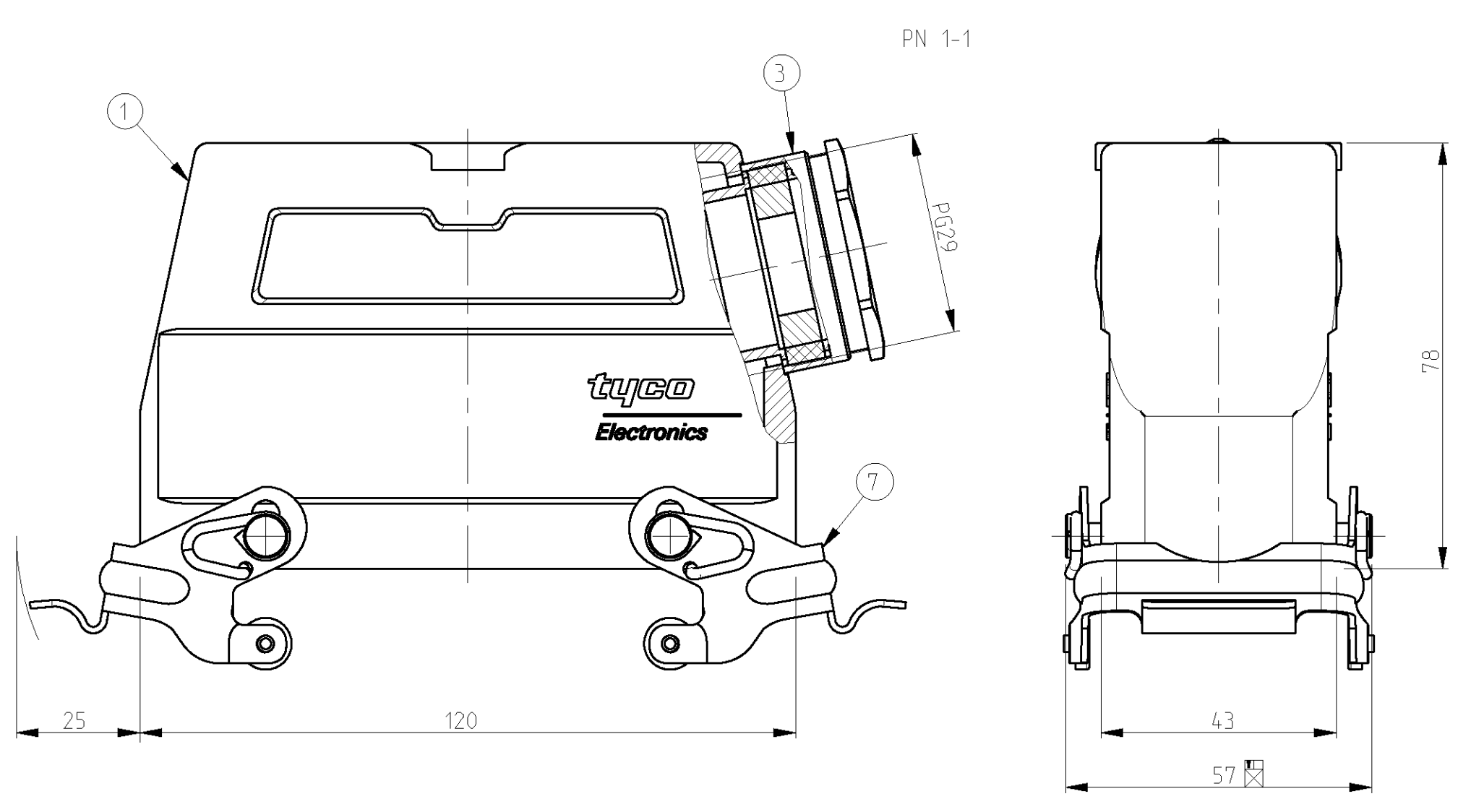
**Keep Me Informed**

LOC	DIST	REV	DATE	BY	APPV
A1	-	C6	17.12.07	SP	TS
		C7	18JAN10	KK	HMR



- NOTES.
- Material:Housing:Aluminium Diecasting Alloy
  - Surface:Varnish grey:black
  - Varnish on the inside not necessary
  - Packaging  
Quantity 5 Pieces in a box

**5** OBSOLETE PARTS: OBSOLETE CIS STREAMLINING PER D.RENAUD/D.SINISI



QTY	ITEM NO	DESCRIPTION	MATERIAL	SURFACE	COLOR	ITEM NO	REMARKS
1	1	HD Hood	Aluminium	Lenox yellow RAL 9017		13	
1	1	ZB-Central clip	Stainless steel	yellow, RAL 9012		12	
1	2	ZB-Central clip	Steel	Zinc plated	Blue	11	
1	2	LB-Clip bolt	Stainless steel			10	
1	2	LB-Clip bolt	Steel	Zinc plated	Blue	9	
1	2	VS-Side clip	Stainless steel			8	
1	2	VS-Side clip	Steel	Zinc plated	Blue	7	
1	4	VS-Clip bolt	Stainless steel			6	
1	4	VS-Clip bolt	Steel	Zinc plated	Blue	5	
1	1	Gland fitting Pq29	Brass	Nickel plated	Blue	4	
1	1	Cable connection round Pq29	Brass	Nickel plated		3	
1	1	HD Hood	Aluminium	Aluminium oxide	Black	2	
1	1	HD Hood	Aluminium		Grey	1	

ORDERING TEXT  
 HD-64.Sts-1.29  
 HD-K-64.Sts-1.29  
 HD-64.Sts-VS-1.29  
 HD-K-64.Sts-VS-1.29  
 HD-64.Sts-GR-1.29  
 HD-K-64.Sts-GR-1.29  
 HD-Z-64.Sts-ZB-1.29  
 HD-K/Z-64.Sts-ZB-1.29  
 HD-Z-64.Sts-ZB-1.29-50

AMP 4895 REV 31MAR2006

PRO/ENGINEER DRAWING

TOLERANCES UNLESS OTHERWISE SPECIFIED:  
 DIMENSIONS: mm  
 0 PL ±0.10  
 1 PL ±0.15  
 2 PL ±0.20  
 3 PL ±0.25  
 4 PL ±0.30  
 ANGLES ±0.5

DRAWN: Schneider 17.07.1997  
 CHK: Schnurpfeil 17.07.1997  
 APPV: -

**Tyco Electronics** Tyco Electronics AMP GmbH  
 0-53819-Neunkirchen, Germany

PRODUCT SPEC: 108-74001  
 108-74003  
 APPLICATION SPEC: 114-74001  
 114-74004

NAME: Hood  
 HD-64

SIZE: A1  
 CAGE CODE: 00779  
 DRAWING NO: C=1102449

RESTRICTED TO: -

CUSTOMER DRAWING SCALE: 1:1 SHEET: 1 OF 1 REV: C7