

THIS DRAWING IS UNPUBLISHED.

RELEASED FOR PUBLICATION FEB ,2006.

REVISIONS

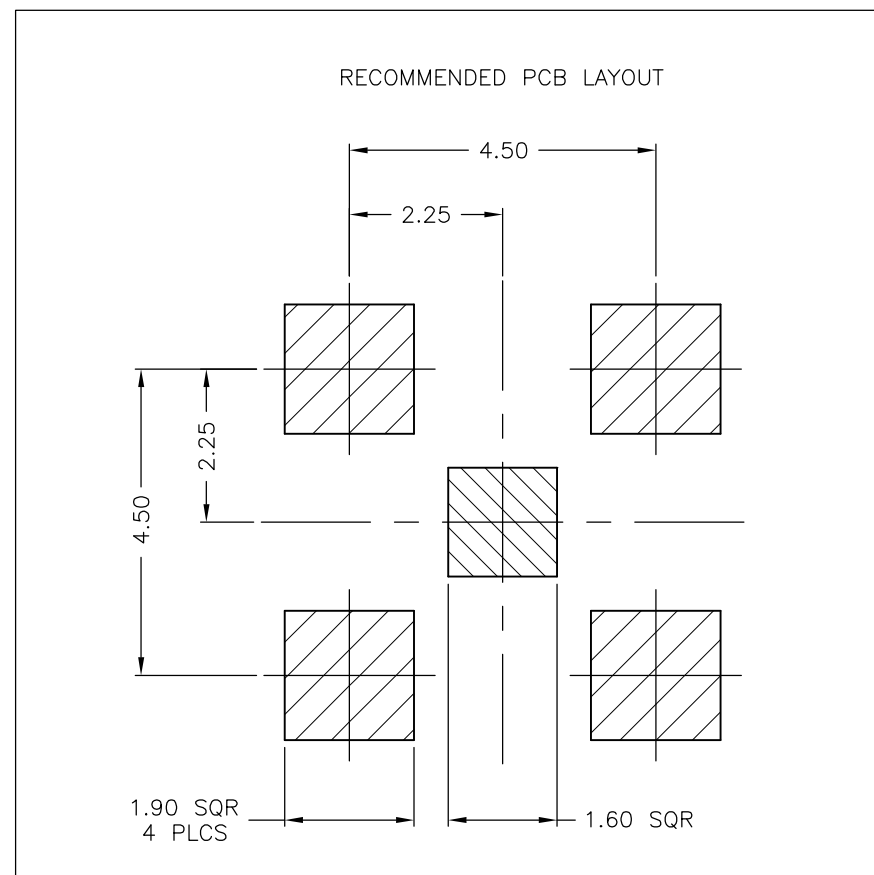
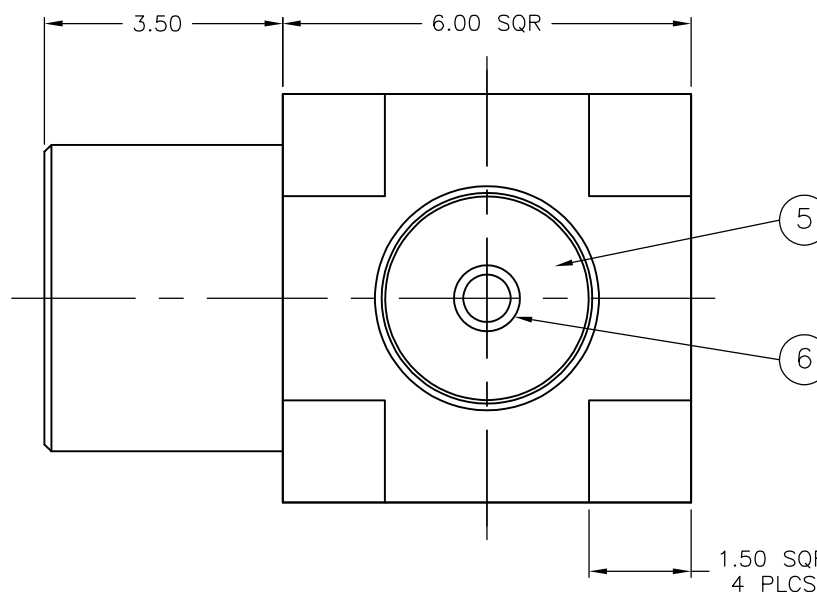
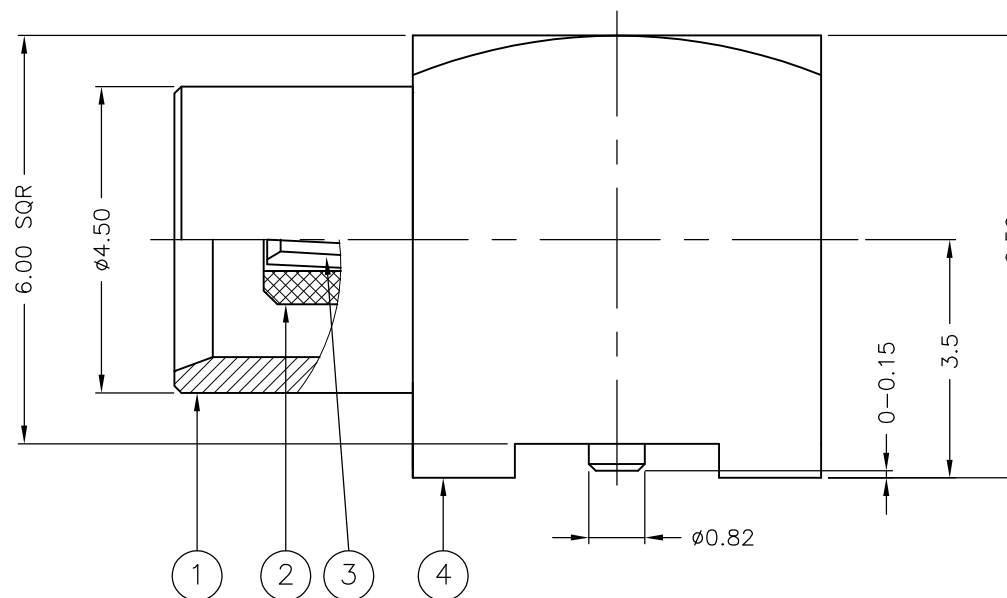
© COPYRIGHT 2006 By -

ALL RIGHTS RESERVED.

| P | LTR | DESCRIPTION | DATE | DWN | APVD |
|---|-----|---------------|-----------|-----|------|
| E | | ECR-15-012507 | 16DEC2015 | LN | RS |

NOTES:

- 1 SINGLE PACKING: ONE CONNECTOR PER LABELED BAG PACKAGED. LABELED PER TEC-107-115
- 2 TAPE AND REEL PACKAGING OPTION AS PER NOTES 9 AND 16
- 3 Au PLATING
- 4 ELECTRICAL CHARACTERISTICS
 FREQUENCY RANGE: DC - 6 GHz
 NOMINAL IMPEDANCE: 50 Ohm
 INSULATION RESISTANCE: 500 MOhm
 WORKING VOLTAGE: 335 Volts RMS at Sea Level
 DIELECTRIC WITHSTAND VOLTAGE: 1000 Volts RMS Max
 CONTACT RESISTANCE:
 CENTER CONTACT: 5.00 mOhm Max
 OUTER CONTACT: 2.50 mOhm Max
 VSWR @ 6GHz: 1.5 Max
 INSERTION LOSS dB @ x 1.0 GHz: 0.10 Max
- 5 MECHANICAL CHARACTERISTICS
 ENGAGEMENT FORCE: 63 N Max
 SEPARATION FORCE: 8N Min TO 20N Max
 DURABILITY: 500 Cycles Min
- 6 ENVIRONMENTAL CHARACTERISTICS
 OPERATING TEMPERATURE: -40 to +85 °C
- 7. FOR TECHNICAL DATA REFER TO YOUR LOCAL TYCO ELECTRONICS SALES OFFICE
- 8. ALL DIMENSIONS ARE NOMINAL FOR REFERENCE ONLY UNLESS OTHERWISE STATED



| QTY | QTY PER ASSY | MATERIAL | DESCRIPTION | ITEM |
|-------------------|--------------|------------------|-------------|------|
| 1 | 1 | BRASS | CONTACT | 6 |
| 1 | 1 | PTFE | INSULATION | 5 |
| 1 | 1 | BRASS | BODY | 4 |
| 1 | 1 | BERYLLIUM COPPER | CONTACT | 3 |
| 1 | 1 | PTFE | INSULATION | 2 |
| 1 | 1 | BRASS | BODY | 1 |
| 6--0 | 1--0 | | | |
| | | | | |
| QUANTITY PER ASSY | | PARTS LIST | | |

| | | | | | |
|--|--|--|----------------|---|----------------------------|
| THIS DRAWING IS A CONTROLLED DOCUMENT. | | DWN | J.SANDWELL | 02FEB06 | STE TE Connectivity |
| | | CHK | S.PARLOW | 02FEB06 | |
| | | APVD | F.WHEELER-KING | 02FEB06 | |
| | | PRODUCT SPEC | | | |
| DIMENSIONS: mm | | TOLERANCES UNLESS OTHERWISE SPECIFIED: | | NAME | |
| | | 0 PLC ± - | | MCX SURFACE MOUNT ELBOW PCB SOCKET 50 OHM | |
| | | 1 PLC ± 0.2 | | | |
| | | 2 PLC ± 0.1 | | | |
| | | 3 PLC ± - | | | |
| | | 4 PLC ± - | | | |
| | | ANGLES ± - | | | |
| MATERIAL | | FINISH | | SIZE | |
| SEE TABLE | | - | | A3 00779 | |
| | | | | CAGE CODE | |
| | | | | G-1337583 | |
| | | | | DRAWING NO | |
| | | | | RESTRICTED TO | |
| | | | | - | |
| | | | | SCALE | |
| | | | | NTS | |
| | | | | SHEET | |
| | | | | 1 OF 2 | |
| | | | | REV | |
| | | | | E | |
| | | | | CUSTOMER DRAWING | |

THIS DRAWING IS UNPUBLISHED.

RELEASED FOR PUBLICATION

FEB , 2006.

REVISIONS

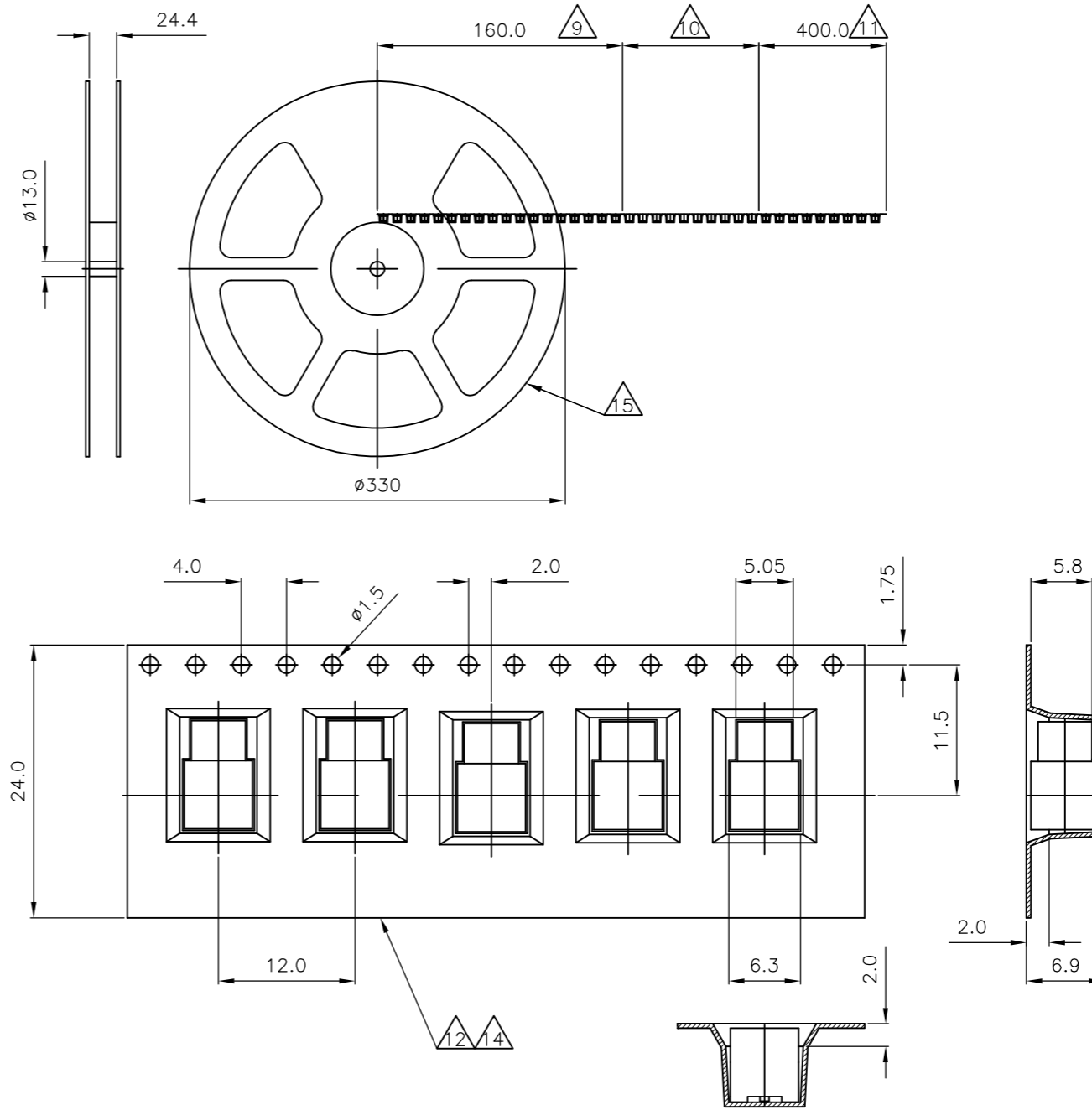
© COPYRIGHT 2006 By -

ALL RIGHTS RESERVED.

| P | LTR | DESCRIPTION | DATE | DWN | APVD |
|---|-----|-------------|------|-----|------|
| - | - | SEE SHEET 1 | - | - | - |

NOTES (CONT):

- 9 LAST RUNNING ACCORDING TO IEC 60286-3
- 10 BLISTER BELT FILLED WITH PARTS
- 11 400mm EMPTY BLISTER BELT, SEALED WITH COVER TAPE
- 12 BLISTER BELT ACCORDING TO IEC 60286-3
- 13 UNIT PER REEL: 750 PIECES
- 14 VOLUME-CONDUCTIVE MATERIAL
- 15 MADE FROM POLYSTYRENE
- 16 SMD-STRIP-PACKAGING ACCORDING TO IEC 60286-2



| | | | | | | | | | | | | | | | | | |
|--|-----|-----------------------------------|---|--------------------|-------------------------|-------|-----|-------|-----|-------|-----|--------|-----|-------------------|---|--|--|
| THIS DRAWING IS A CONTROLLED DOCUMENT. | | DWN J.SANDWELL 02FEB06 | TE Connectivity | | | | | | | | | | | | | | |
| DIMENSIONS: mm | | CHK S.PARLOW 02FEB06 | | | | | | | | | | | | | | | |
| TOLERANCES UNLESS OTHERWISE SPECIFIED: | | APVD F.WHEELER-KING 02FEB06 | NAME MCX SURFACE MOUNT ELBOW PCB SOCKET 50 OHM | | | | | | | | | | | | | | |
| <table border="0"> <tr><td>0 PLC</td><td>± -</td></tr> <tr><td>1 PLC</td><td>± -</td></tr> <tr><td>2 PLC</td><td>± -</td></tr> <tr><td>3 PLC</td><td>± -</td></tr> <tr><td>4 PLC</td><td>± -</td></tr> <tr><td>ANGLES</td><td>± -</td></tr> </table> | | 0 PLC | ± - | 1 PLC | ± - | 2 PLC | ± - | 3 PLC | ± - | 4 PLC | ± - | ANGLES | ± - | PRODUCT SPEC - | - | | |
| 0 PLC | ± - | | | | | | | | | | | | | | | | |
| 1 PLC | ± - | | | | | | | | | | | | | | | | |
| 2 PLC | ± - | | | | | | | | | | | | | | | | |
| 3 PLC | ± - | | | | | | | | | | | | | | | | |
| 4 PLC | ± - | | | | | | | | | | | | | | | | |
| ANGLES | ± - | | | | | | | | | | | | | | | | |
| MATERIAL SEE TABLE | | FINISH - | APPLICATION SPEC - | - | | | | | | | | | | | | | |
| | | WEIGHT - | SIZE A3 | CAGE CODE 00779 | DRAWING NO C-1337583 | | | | | | | | | | | | |
| CUSTOMER DRAWING | | | SCALE NTS | SHEET 2 OF 2 | RESTRICTED TO - | | | | | | | | | | | | |
| | | | | REV E | | | | | | | | | | | | | |