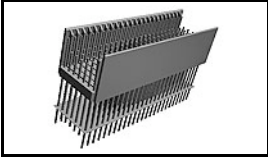


188835-1 Product Details

[Share](#) [Print](#) [Email](#)



188835-1

TE Internal Number: 188835-1

Active

[View 3D PDF](#)

2mm Hard Metric PCB Mount Connectors (Z-PACK 2mm HM)

Not EU RoHS or ELV Compliant (Find RoHS Compliant Alternates)

Product Highlights:

- Connector
- Connector Assembly
- Connector Style = Plug
- Type = Type B, 22 Column
- Interface Type = 2mm HM

[View all Features](#)

Quick Links

- ▶ [Pricing & Availability](#)
- ▶ [Search for Tooling](#)
- ▶ [View Mating Products \(1\)](#)
- ▶ [Product Feature Selector](#)
- ▶ [Contact Us About This Product](#)

[Add to My Part List](#)

[Request Sample](#)

[Find Similar Products](#)

[Buy Product](#)

Documentation & Additional Information	
<p>Product Drawings:</p> <ul style="list-style-type: none"> • MALE ASSEMBLY, Z-PACK 2mm HM, TYPE B (PDF, English) <p>Catalog Pages/Data Sheets:</p> <ul style="list-style-type: none"> • None Available <p>Product Specifications:</p> <ul style="list-style-type: none"> • Z-Pack 2 mm HM CONNECTORS (PDF, English) <p>Application Specifications:</p> <ul style="list-style-type: none"> • Z-PACK 2mm HM Interconnection System for Board-to-Bo... (PDF, English) <p>Instruction Sheets:</p> <ul style="list-style-type: none"> • None Available <p>CAD Files: (CAD Format & Compression Information)</p> <ul style="list-style-type: none"> • 2D Drawing (DXF, Version G) • 3D Model (IGES, Version G) • 3D Model (STEP, Version G) 	<p>Additional Information:</p> <ul style="list-style-type: none"> • Product Line Information <p>Related Products:</p> <ul style="list-style-type: none"> • Tooling • Mating Products (1)

[List all Documents](#)

Product Features (Please use the Product Drawing for all design activity)	
<p>Product Type Features:</p> <ul style="list-style-type: none"> • Product Type = Connector • Connector Type = Connector Assembly • PCB Mounting Orientation = Vertical <p>Mechanical Attachment:</p> <ul style="list-style-type: none"> • Board Mount = Fixed Board • Front Mating Level = Level 1 <p>Termination Features:</p> <ul style="list-style-type: none"> • Interface Type = 2mm HM • Termination End Plating = Tin-Lead over Nickel <p>Dimensions:</p> <ul style="list-style-type: none"> • Module Length (mm [in]) = 44.00 [1.732] <p>Body Features:</p> <ul style="list-style-type: none"> • Type = Type B, 22 Column 	<p>Housing Features:</p> <ul style="list-style-type: none"> • Connector Style = Plug • Mating Alignment = Without • Housing Color = Gray • Housing Material = Polyester - GF <p>Configuration Features:</p> <ul style="list-style-type: none"> • Number of Rows = 5+2 • Number of Positions = 154 • Crosstalk Version = Standard • Shielded = No • Rows Loaded = Z, F, E, D, C, A, B <p>Industry Standards:</p> <ul style="list-style-type: none"> • RoHS/ELV Compliance = Not ELV/RoHS compliant • Lead Free Solder Processes = Not relevant for lead free process

- CompactPCI Designation = P2/P5

Contact Features:

- Contact Configuration = Signal
- Feedthrough Post Length (mm [in]) = 3.70 [0.145]
- CompactPCI = Yes
- Contact Plating, Mating Area, Material = Gold (30)
- Grounding Contact = Without
- Contact Style = Short Tail
- Number of Signal Contacts = 110
- Contact Base Material = Phosphor Bronze

- UL Flammability Rating = UL 94V-0

Other:

- Brand = AMP

Corporate Information

[About TE](#)
[Investors](#)
[News Room](#)
[Supplier Portal](#)
[Careers](#)
[Terms & Conditions](#)
[Privacy Policy](#)
[AODA Accessibility Policy](#)
[AODA Multi-Year Accessibility Plan](#)

Quick Links

[Distributor Inventory](#)
[Product Cross Reference](#)
[Documents & Drawings](#)
[Product Compliance Support Center](#)
[Site Map](#)

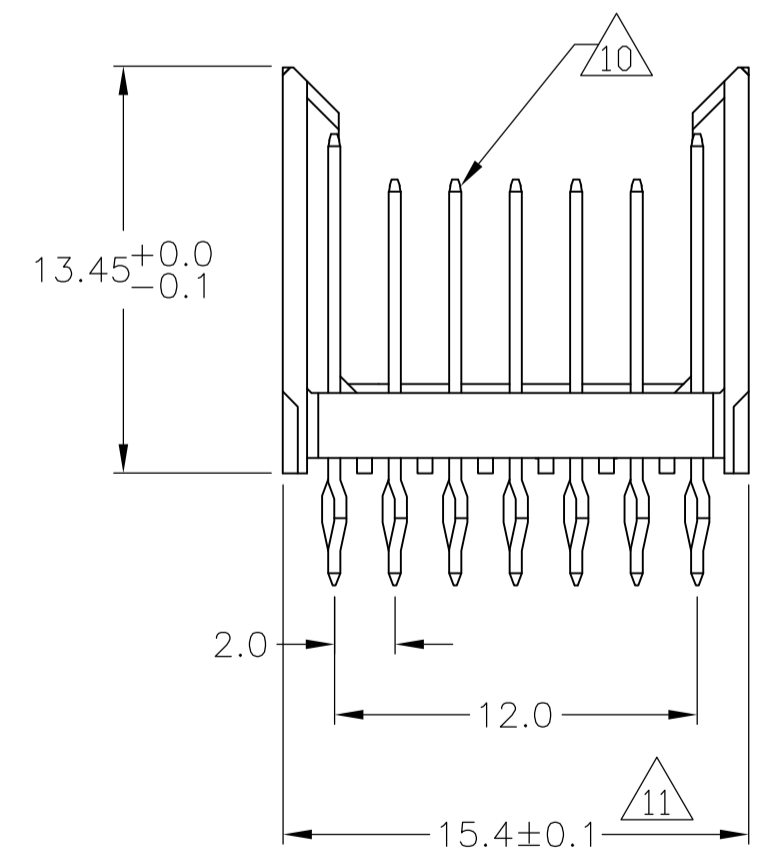
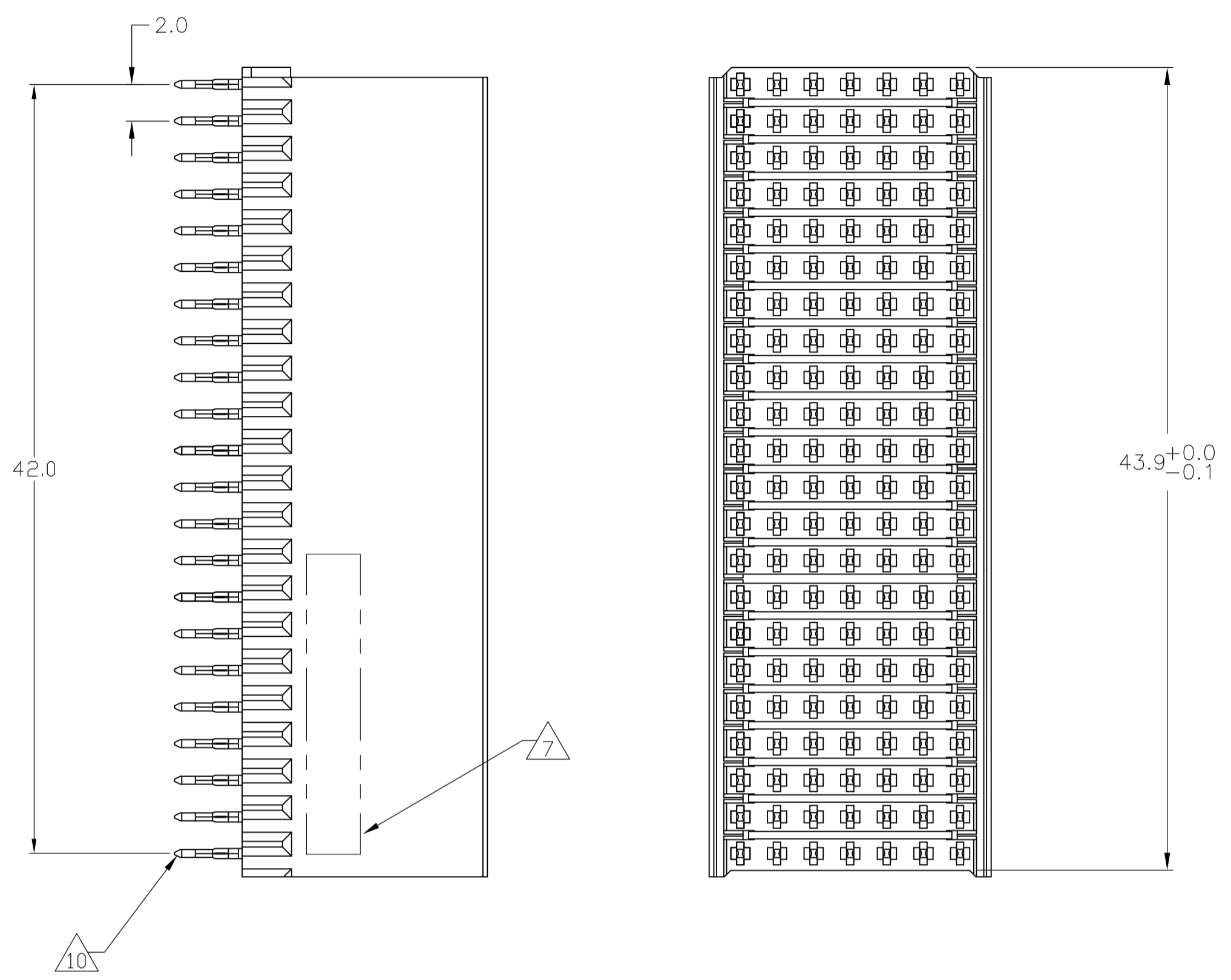
Customer Support

[Email or Chat With Us](#)
[Find a Phone Number](#)
[Knowledge Base](#)
[Manage Your Account](#)

Keep Me Informed

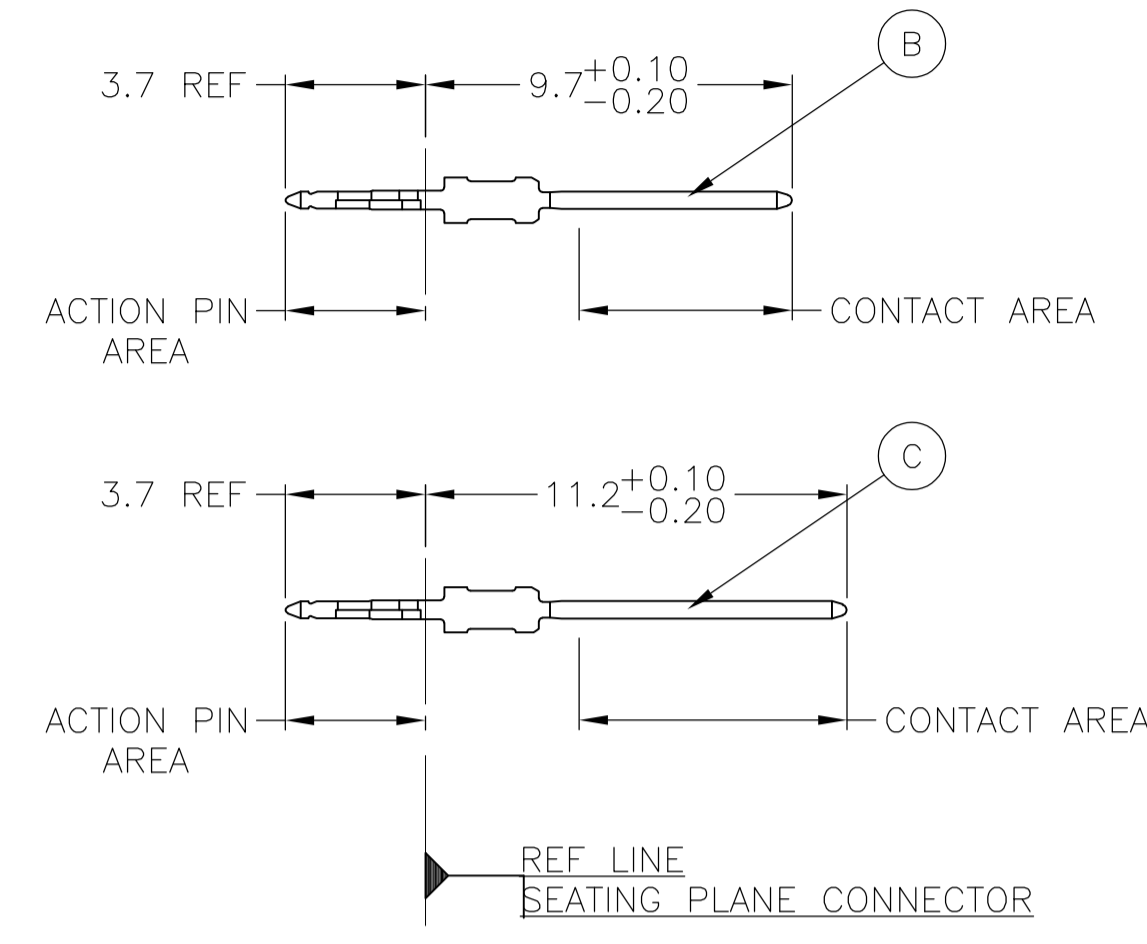
LOC		DIST		REVISIONS			
AD	00	REV	DATE	BY	CHK	APPV	
E3		REVISED PER ECO-11-005033	28MAR11	RK	HMR		
F		ECR-12-010652	25NOV12	SY	AC		

CONNECTOR ASSEMBLY EXAMPLARY LOADED



CONTACT DIMENSIONS

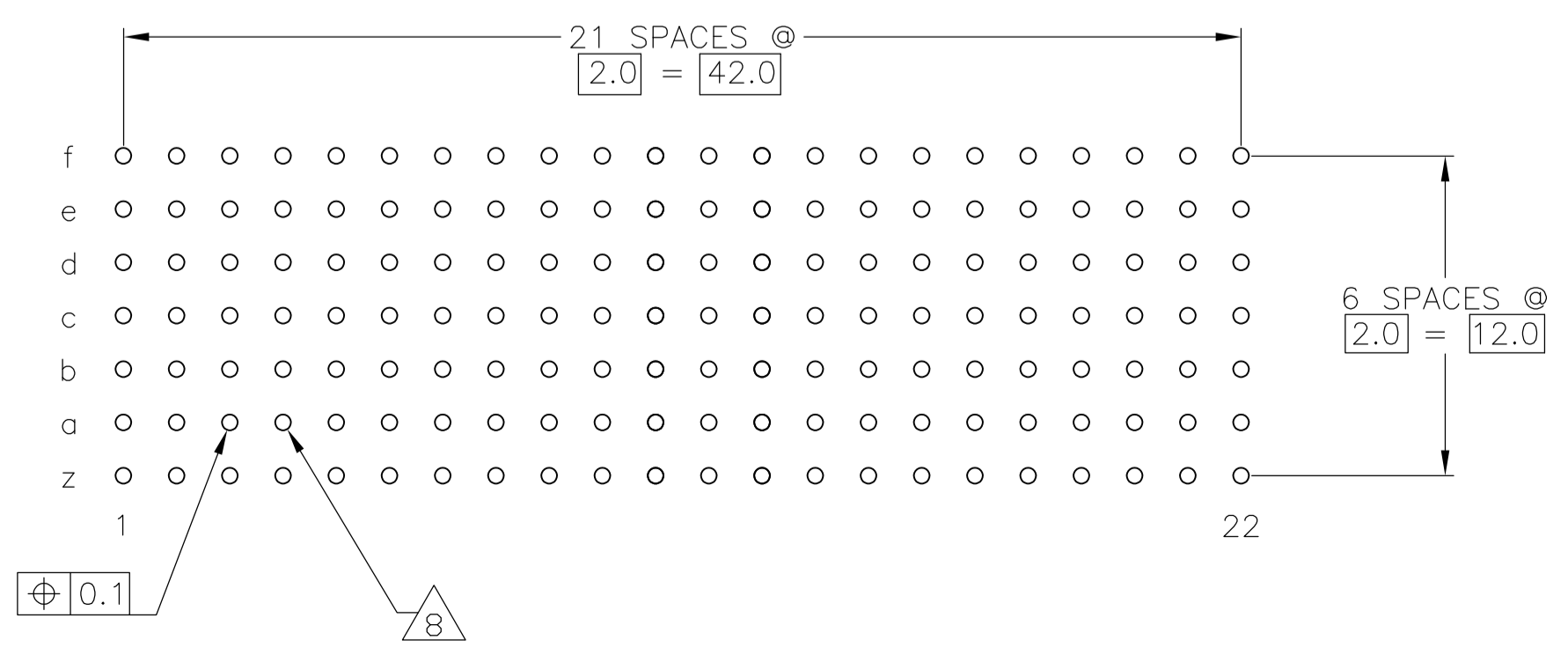
SCALE 5:1



CONTACT LAYOUT

	z	a	b	c	d	e	f
1	C	B	B	B	B	B	C
2	C	B	B	B	B	B	C
3	C	B	B	B	B	B	C
4	C	B	B	B	B	B	C
5	C	B	B	B	B	B	C
6	C	B	B	B	B	B	C
7	C	B	B	B	B	B	C
8	C	B	B	B	B	B	C
9	C	B	B	B	B	B	C
10	C	B	B	B	B	B	C
11	C	B	B	B	B	B	C
12	C	B	B	B	B	B	C
13	C	B	B	B	B	B	C
14	C	B	B	B	B	B	C
15	C	B	B	B	B	B	C
16	C	B	B	B	B	B	C
17	C	B	B	B	B	B	C
18	C	B	B	B	B	B	C
19	C	B	B	B	B	B	C
20	C	B	B	B	B	B	C
21	C	B	B	B	B	B	C
22	C	B	B	B	B	B	C

RECOMMENDED PCB-HOLE LAYOUT COMPONENT SIDE SHOWN



PLATED THRU HOLES PARAMETERS

REFERENCE APPLICATION SPECIFICATION

OBSOLETE	2 5 12 13	3-188835-1
	2 3 13	3-188835-0
	2 6 12	1-188835-9
	2 5 12	1-188835-9
	2 4	188835-4
	2 3	188835-1
	FINISH	PART NUMBER

THIS DRAWING IS A CONTROLLED DOCUMENT.

DIMENSIONS: mm	TOLERANCES UNLESS OTHERWISE SPECIFIED:	DIN B CARBO 130DEC05	130DEC05
0.1	0.1	CHK G SKIPPER	130DEC05
1	0.1	APPV G SKIPPER	130DEC05
1	0.1	PRODUCT SPEC	108-19082
1	0.1	APPLICATION SPEC	114-19029
1	0.1	WEIGHT	—
1	0.1	FINISH	SEE TABLE
1	0.1	CUSTOMER DRAWING	SCALE 4:1 SHEET 1 OF 2 REV F

STE TE Connectivity


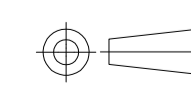
MALE ASSEMBLY, Z-PACK 2mm HM, TYPE B

SIZE: A1 CAGE CODE: 00779 DRAWING NO: 188835

THIS DRAWING IS UNPUBLISHED. RELEASED FOR PUBLICATION
 © COPYRIGHT - By - ALL RIGHTS RESERVED.

LOC		DIST		REVISIONS				
P	LTR	DESCRIPTION	DATE	DN	APVD			
-	-	SEE SHEET 1	-	-	-			

- 1 MATERIAL:
CONTACT: PHOSPHOR BRONZE.
HOUSING: GLASS-FILLED POLYESTER.
- 2 GENERAL PLATING SPECIFICATION: UNDERPLATING
(ENTIRE CONTACT): 1.27µm MIN NICKEL AND ACTION
PIN: 0.5µm MIN TIN LEAD.
FOR PLATING OF MATING SURFACES SEE APPLICABLE
SPECIFICATION REFERENCE FOR EACH DASH NUMBER.
- 3 CONFORMS TO ALL TESTING ACCORDING TO IEC 61076-4-101
PERFORMANCE LEVEL 2.
- 4 CONFORMS TO ALL TESTING ACCORDING TO IEC 61076-4-101
PERFORMANCE LEVEL 1.
- 5 CONNECTOR TESTED AND QUALIFIED AGAINST TELCORDIA GR-1217-CORE QUALITY LEVEL 3,
CENTRAL OFFICE APPLICATIONS.
- 6 CONNECTOR TESTED AND QUALIFIED AGAINST TELCORDIA GR-1217-CORE QUALITY LEVEL 3,
UNCONTROLLED ENVIROMENT APPLICATIONS.
- 7 CONNECTOR MARKED WITH PART NUMBER AND DATE CODE.
ADDITIONAL CHARACTERS OR MARKINGS, AS WELL AS THE LOCATION OF THE MARKINGS,
MAY BE ADDED FOR TRACEABILITY BASED UPON MANUFACTURERS DISCRETION.
- 8 PLATED-THROUGH HOLES AT 2x2mm SQUARE GRID
PATTERN DEFINED BY CONTACT LAYOUT.
- 9 FOR ACTUAL PIN LOADING SEE "CONTACT LAYOUT".
- 10 FOR ACTUAL PIN DIMENSIONS SEE "CONTACT DIMENSIONS".
- 11 TO BE MEASURED AT BOTTOM OF SHROUD.
- 12 CONNECTOR LUBRICATED WITH BELCORE APPROVED LUBRICANT,
TECHNICAL REFERENCE: TR-NWT-001217 ISSUE 1, SEP 1992.
- 13 0.76µm MIN GOLD PLATING AT MATING SURFACES.

THIS DRAWING IS A CONTROLLED DOCUMENT.		DIN B CARBO 13DEC05		 TE Connectivity	
DIMENSIONS: mm		TOLERANCES UNLESS OTHERWISE SPECIFIED:			
		0 PLC ± - 1 PLC ± 0.1 2 PLC ± - 3 PLC ± - 4 PLC ± - ANGLES ± -		GSKIPPER 13DEC05 NAME: MALE ASSEMBLY, Z-PACK 2mm HM, TYPE B	
MATERIAL: SEE SHEET 1		FINISH: SEE SHEET 1		PRODUCT SPEC: 108-19082 APPLICATION SPEC: 114-19029	
		WEIGHT: -		SIZE: A1 CAGE CODE: 00779 DRAWING NO: 188835	
		CUSTOMER DRAWING		RESTRICTED TO: - SCALE: 4:1 SHEET 2 OF 2 REV F	