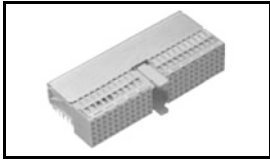


5100147-1 Product Details

[Share](#) [Print](#) [Email](#)



5100147-1

TE Internal Number: 5100147-1

Active

[View 3D PDF](#)

2mm Hard Metric PCB Mount Connectors (Z-PACK 2mm HM)

Always EU RoHS/ELV Compliant
(Statement of Compliance)

Product Highlights:

- Connector
- Connector Assembly
- Connector Style = Receptacle
- Type = Type A
- Interface Type = 2mm HM

[View all Features](#)

Quick Links

- ▶ [Pricing & Availability](#)
- ▶ [Search for Tooling](#)
- ▶ [Product Feature Selector](#)
- ▶ [Contact Us About This Product](#)

[Add to My Part List](#) [Request Sample](#) [Find Similar Products](#)

[Buy Product](#)

Documentation & Additional Information

Product Drawings:

- [Z-PACK 2mm HM TYPE A 110 POS. FEMALE CONNECTOR](#) (PDF, English)

Catalog Pages/Data Sheets:

- None Available

Product Specifications:

- [Z-Pack 2 mm HM CONNECTORS](#) (PDF, English)

Application Specifications:

- [Z-PACK 2mm HM Interconnection System for Board-to-Bo...](#) (PDF, English)

Instruction Sheets:

- None Available

CAD Files: (CAD Format & Compression Information)

- [2D Drawing](#) (DXF, Version B)
- [3D Model](#) (IGES, Version B)
- [3D Model](#) (STEP, Version B)

[List all Documents](#)

Additional Information:

- [Product Line Information](#)

Related Products:

- [Tooling](#)

Product Features (Please use the Product Drawing for all design activity)

Product Type Features:

- Product Type = Connector
- Connector Type = Connector Assembly
- [PCB Mounting Orientation](#) = Right Angle

Mechanical Attachment:

- [Board Mount](#) = Free Board
- AMP Standard Option Number = 1

Termination Features:

- [Interface Type](#) = 2mm HM
- Termination End Plating = Tin over Nickel

Dimensions:

- [Module Length \(mm \[in\]\)](#) = 50.00 [1.968]

Housing Features:

- Connector Style = Receptacle
- [Mating Alignment](#) = With
- [Mating Alignment Type](#) = Multi-Purpose Center
- Housing Color = Gray
- Housing Material = Polyester - GF

Configuration Features:

- [Number of Rows](#) = 5
- [Number of Positions](#) = 110
- [Crosstalk Version](#) = Standard
- [Shielded](#) = No
- Rows Loaded = A, B, C, D, E

Industry Standards:

- [RoHS/ELV Compliance](#) = RoHS compliant, ELV

Body Features:

- [Type](#) = Type A

Contact Features:

- [Contact Configuration](#) = Signal
- [Feedthrough Post Length \(mm \[in\]\)](#) = 3.30 [0.130]
- [CompactPCI](#) = Yes
- [Contact Plating, Mating Area, Material](#) = Performance-Based
- [Grounding Contact](#) = Without
- [Contact Style](#) = Short Tail
- [Contact Base Material](#) = Phosphor Bronze

compliant

- [Lead Free Solder Processes](#) = Not relevant for lead free process
- [RoHS/ELV Compliance History](#) = Always was RoHS compliant
- [UL Flammability Rating](#) = UL 94V-0

Packaging Features:

- [Packaging Quantity](#) = 11

Other:

- [Brand](#) = AMP
- [Comment](#) = Connector conforms to all testing according to IEC 61076-4-101, Performance Level 2.

Corporate Information

[About TE](#)
[Investors](#)
[News Room](#)
[Supplier Portal](#)
[Careers](#)
[Terms & Conditions](#)
[Privacy Policy](#)
[AODA Accessibility Policy](#)
[AODA Multi-Year Accessibility Plan](#)

Quick Links

[Distributor Inventory](#)
[Product Cross Reference](#)
[Documents & Drawings](#)
[Product Compliance Support Center](#)
[Site Map](#)

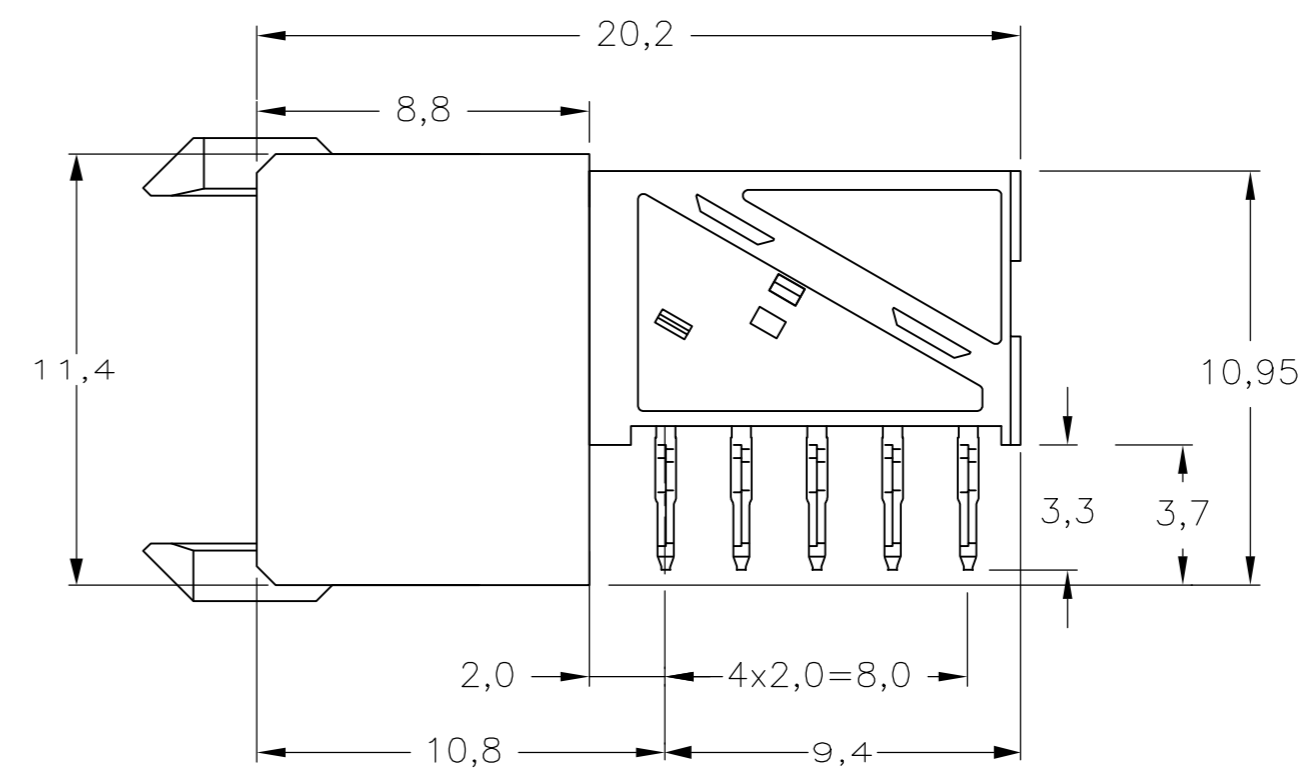
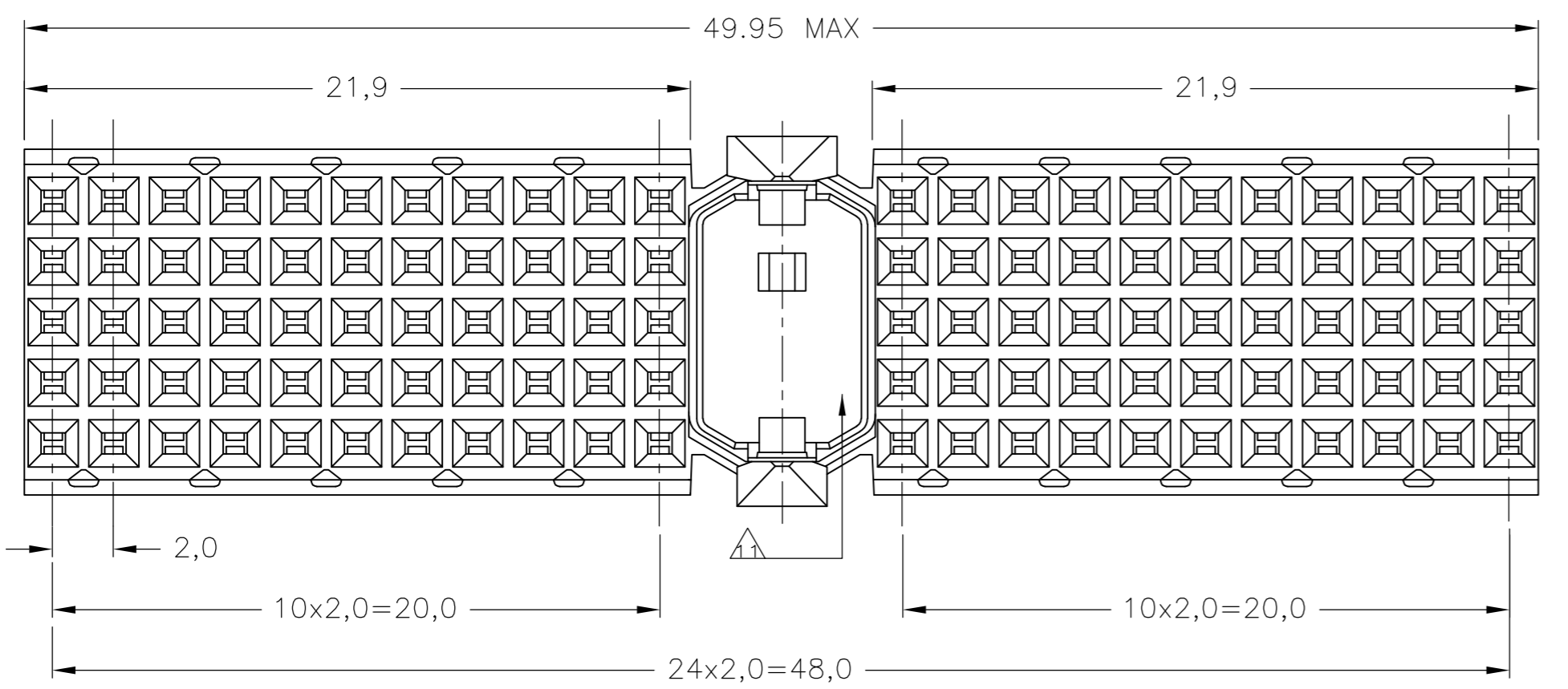
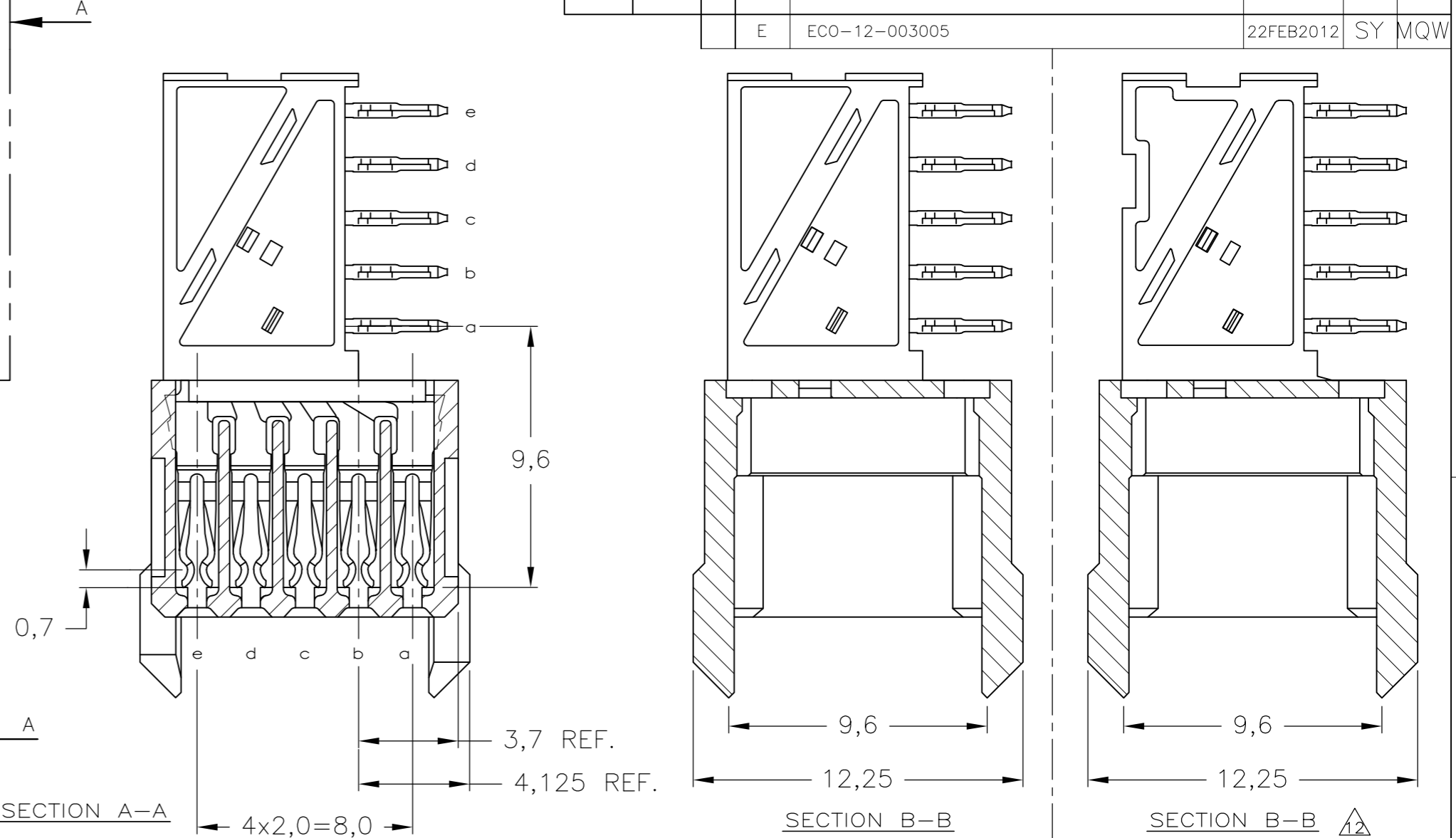
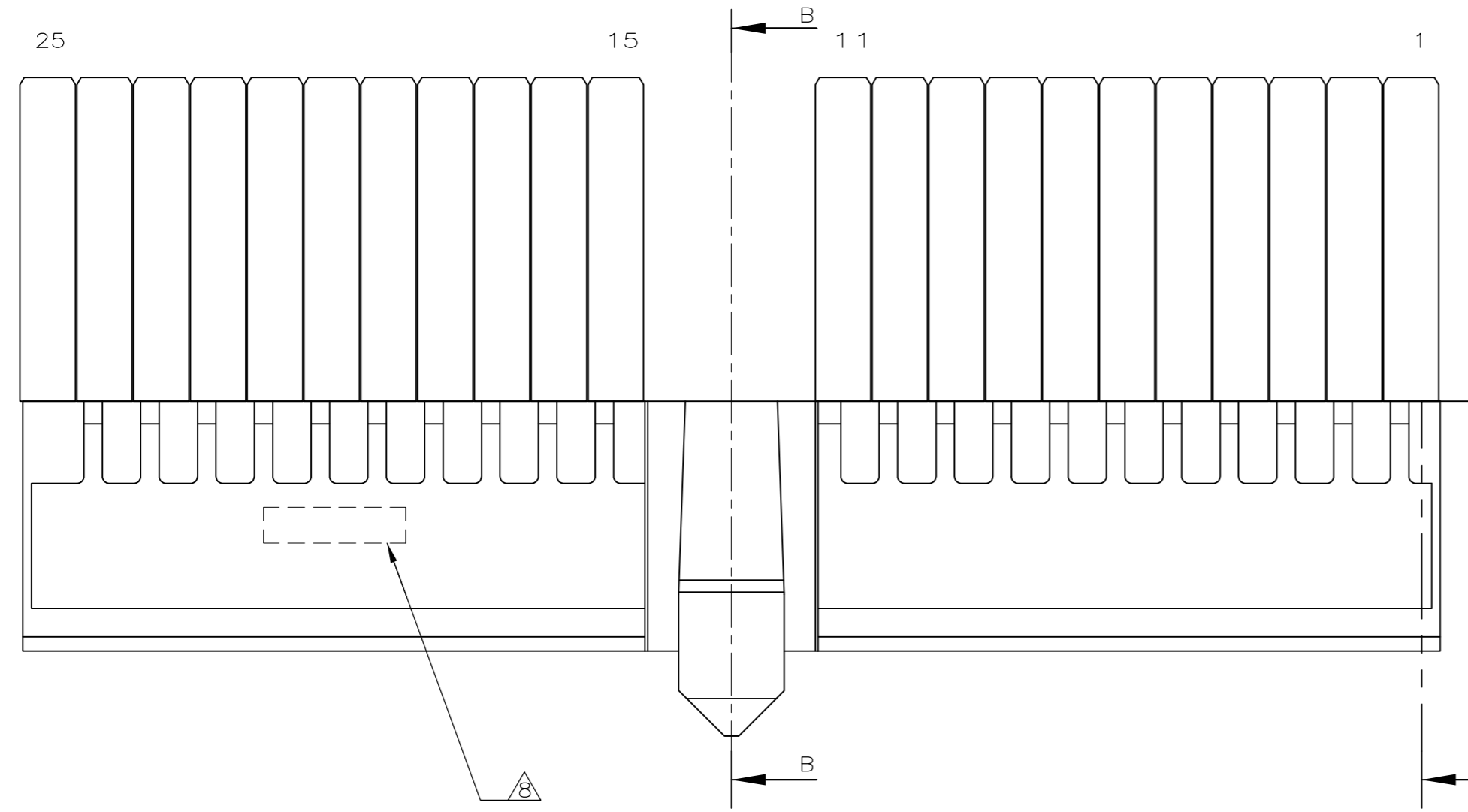
Customer Support

[Email or Chat With Us](#)
[Find a Phone Number](#)
[Knowledge Base](#)
[Manage Your Account](#)

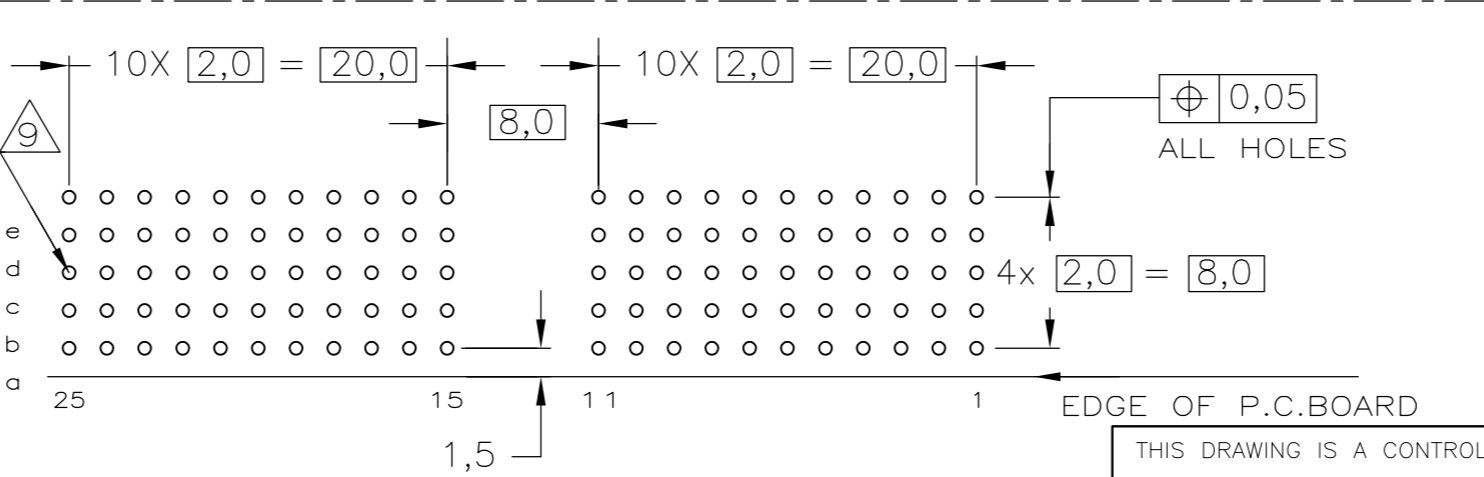
Keep Me Informed

THIS DRAWING IS UNPUBLISHED. RELEASED FOR PUBLICATION
 © COPYRIGHT - By - ALL RIGHTS RESERVED.

LOC		DIST		REVISIONS			
P	LTR	DESCRIPTION	DATE	DWN	APVD		
H	-	E	ECO-12-003005	22FEB2012	SY	MQW	



- NOTES:**
- 1 MATERIAL CONTACT; PHOSPHORBRONZE
 - 2 MATERIAL HOUSING; GLASSFILLED POLYESTER (GRAY) UL-RATING 49V0
 - 3 GENERAL PLATING SPECIFICATION: UNDERPLATING (ENTIRE CONTACT): 1,27µm NICKEL MIN. AND ACTION PIN: 0,5µm TIN MIN. FOR PLATING OF MATING SURFACES SEE APPLICABLE SPECIFICATION REFERENCE FOR EACH DASH NUMBER.
 - 4 CONFORMS TO ALL TESTING ACCORDING IEC 61076-4-101 PERFORMANCE LEVEL 2.
 - 5 CONFORMS TO ALL TESTING ACCORDING IEC 61076-4-101 PERFORMANCE LEVEL 1.
 - 6 CONNECTOR TESTED AND QUALIFIED AGAINST TELCORDIA GR-1217-CORE QUALITY LEVEL III, CENTRAL OFFICE APPLICATIONS.
 - 7 CONNECTOR TESTED AND QUALIFIED AGAINST TELCORDIA GR-1217-CORE QUALITY LEVEL III, UNCONTROLLED ENVIRONMENT APPLICATIONS.
 - 8 CONNECTOR LUBRICATED WITH TELCORDIA GR-1217-CORE APPROVED LUBRICANT.
 - 9 CONNECTOR MARKED WITH PARTNUMBER AND DATECODE. THE MARKING CAN APPEAR ON THE FRONT SIDE OR ON THE BACK SIDE.
 - 10 PLATED-THROUGH HOLES AT 2x2mm SQUARE GRID. 110 HOLES.
 - 11 FITS WITH INTEGRATED GROUND RETURN UPERSHIELD, BASIC P.N. 5338107 AND INTEGRATED GROUND RETURN LOWERSHIELD, BASIC P.N. 5338108
 - 12 AREA RESERVED FOR CODING KEY, BASIC P.N. 100526
 - 13 CONNECTOR ASSEMBLED WITH ALTERNATE FEMALE CONTACTS.
 - 14 0,76µm MIN. GOLD PLATING AT MATING SURFACES.



SCALE 2,5:1
 COMPONENT SIDE AS SHOWN
 RECOMMENDED PCB-HOLE LAY-OUT

P.C.B. HOLE DIM. ACTION PIN
 FOR DETAILS SEE APPLICATION SPECIFICATION

FINISH	MATERIAL	PARTNUMBER
233		3-5100147-0
26		1-5100147-9
253		5100147-9
24		5100147-4
23		5100147-1

THIS DRAWING IS A CONTROLLED DOCUMENT.

DWN	K.N.KIRAN	05AUG2004
CHK	B.MOOIJ	22SEP2004
APVD	B.MOOIJ	22SEP2004
PRODUCT SPEC	108-19082	
APPLICATION SPEC	114-19029	
WEIGHT	-	
CUSTOMER DRAWING		

TE TE Connectivity

Z-PACK 2mm HM TYPE A
 110 POS. FEMALE CONNECTOR

SIZE	A2	CAGE CODE	00779	DRAWING NO	C=5100147	RESTRICTED TO	-
SCALE	5:1	SHEET	1 of 1	REV	E		