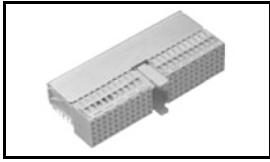


## 352068-1 Product Details

[Share](#) [Print](#) [Email](#)



**352068-1**

TE Internal Number: 352068-1

 Active

[View 3D PDF](#)

### 2mm Hard Metric PCB Mount Connectors (Z-PACK 2mm HM)

Not EU RoHS or ELV Compliant (Find RoHS Compliant Alternates)

#### Product Highlights:

- Connector
- Connector Assembly
- Connector Style = Receptacle
- Type = Type A
- Interface Type = 2mm HM

[View all Features](#)

#### Quick Links

- ▶ [Pricing & Availability](#)
- ▶ [Search for Tooling](#)
- ▶ [View Mating Products \(3\)](#)
- ▶ [Product Feature Selector](#)
- ▶ [Contact Us About This Product](#)

[Add to My Part List](#)

[Request Sample](#)

[Find Similar Products](#)

[Buy Product](#)

### Documentation & Additional Information

#### Product Drawings:

- [Z-PACK 2MM HM TYPE A - 25 COLUMNS PRE-SHIELDED RECEPTACLE \(PDF, English\)](#)

#### Catalog Pages/Data Sheets:

- None Available

#### Product Specifications:

- [Z-Pack 2 mm HM CONNECTORS \(PDF, English\)](#)

#### Application Specifications:

- [Z-PACK 2mm HM Interconnection System for Board-to-Board \(PDF, English\)](#)

#### Instruction Sheets:

- [INSERTION TOOL FOR Z-PACK 2mm HM CONN. \(1\) \(PDF, Japanese\)](#)
- [INSERTION TOOL FOR Z-PACK 2mm HM CONN. \(2\) \(PDF, Japanese\)](#)

#### CAD Files: (CAD Format & Compression Information)

- [2D Drawing \(DXF, Version F\)](#)
- [3D Model \(IGES, Version F\)](#)
- [3D Model \(STEP, Version F\)](#)

[List all Documents](#)

#### Additional Information:

- [Product Line Information](#)

#### Related Products:

- [Tooling](#)
- [Mating Products \(3\)](#)

### Product Features (Please use the Product Drawing for all design activity)

#### Product Type Features:

- Product Type = Connector
- Connector Type = Connector Assembly
- PCB Mounting Orientation = Right Angle

#### Mechanical Attachment:

- Board Mount = Free Board

#### Termination Features:

- Interface Type = 2mm HM
- Termination End Plating = Tin-Lead over Nickel

#### Dimensions:

- Module Length (mm [in]) = 50.00 [1.968]

#### Body Features:

#### Housing Features:

- Connector Style = Receptacle
- Mating Alignment = With
- Mating Alignment Type = Multi-Purpose Center
- Housing Color = Gray
- Housing Material = Polyester - GF

#### Configuration Features:

- Number of Rows = 5
- Number of Positions = 110
- Crosstalk Version = Standard
- Shielded = Yes
- Rows Loaded = E, D, C, A, B
- Shield Type = Ground Return Shielding
- Shield Style = Upper

- [Type](#) = Type A
- CompactPCI Designation = J1, J4

**Contact Features:**

- Contact Configuration = ACTION PIN Post, Signal
- [Feedthrough Post Length \(mm \[in\]\)](#) = 3.70 [0.145]
- CompactPCI = Yes
- [Contact Plating, Mating Area, Material](#) = Gold (30)
- [Grounding Contact](#) = Without
- Contact Style = Short Tail
- Number of Signal Contacts = 110
- Contact Base Material = Phosphor Bronze

**Industry Standards:**

- [RoHS/ELV Compliance](#) = Not ELV/RoHS compliant
- [Lead Free Solder Processes](#) = Not relevant for lead free process
- UL Flammability Rating = UL 94V-0

**Other:**

- Brand = AMP
- Comment = Female connector with pre-installed shield.

**Corporate Information**

- [About TE](#)
- [Investors](#)
- [News Room](#)
- [Supplier Portal](#)
- [Careers](#)
- [Terms & Conditions](#)
- [Privacy Policy](#)
- [AODA Accessibility Policy](#)
- [AODA Multi-Year Accessibility Plan](#)

**Quick Links**

- [Distributor Inventory](#)
- [Product Cross Reference](#)
- [Documents & Drawings](#)
- [Product Compliance Support Center](#)
- [Site Map](#)

**Customer Support**

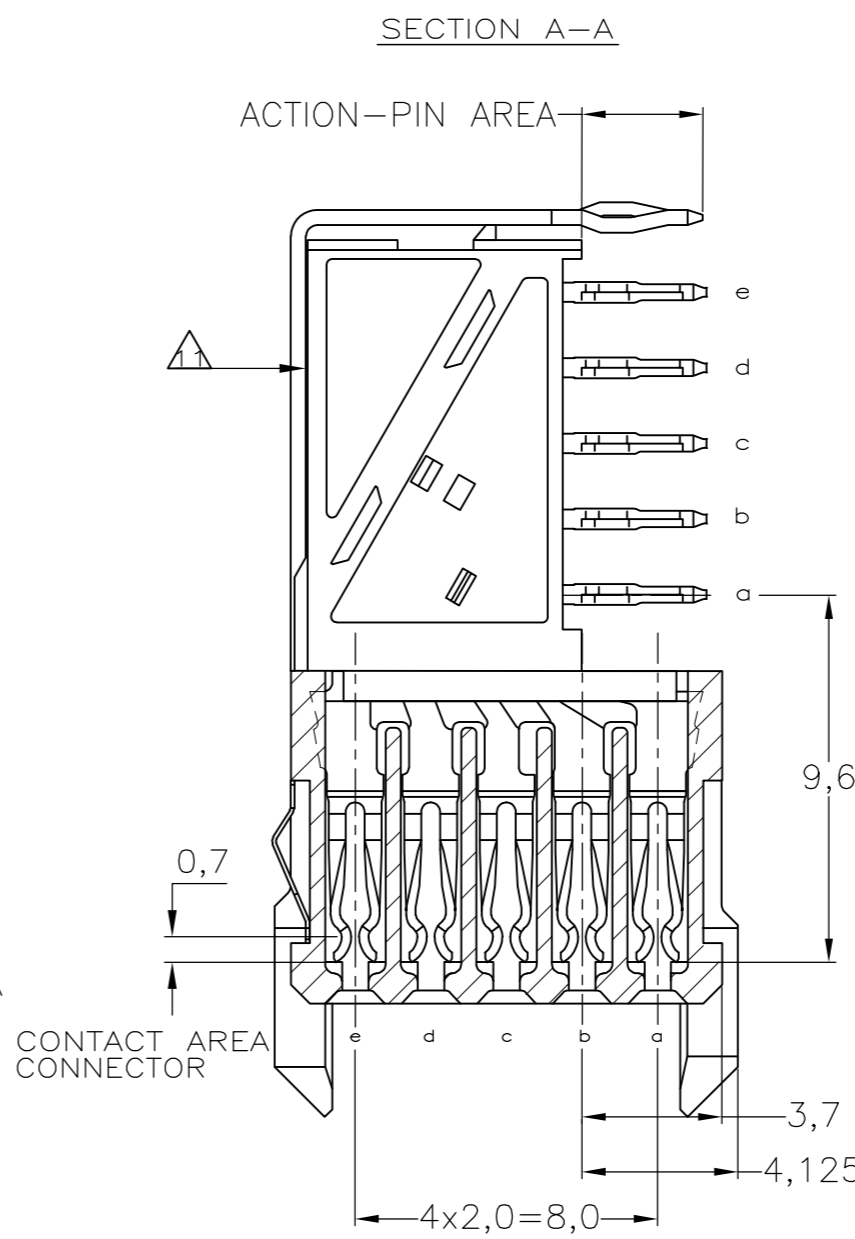
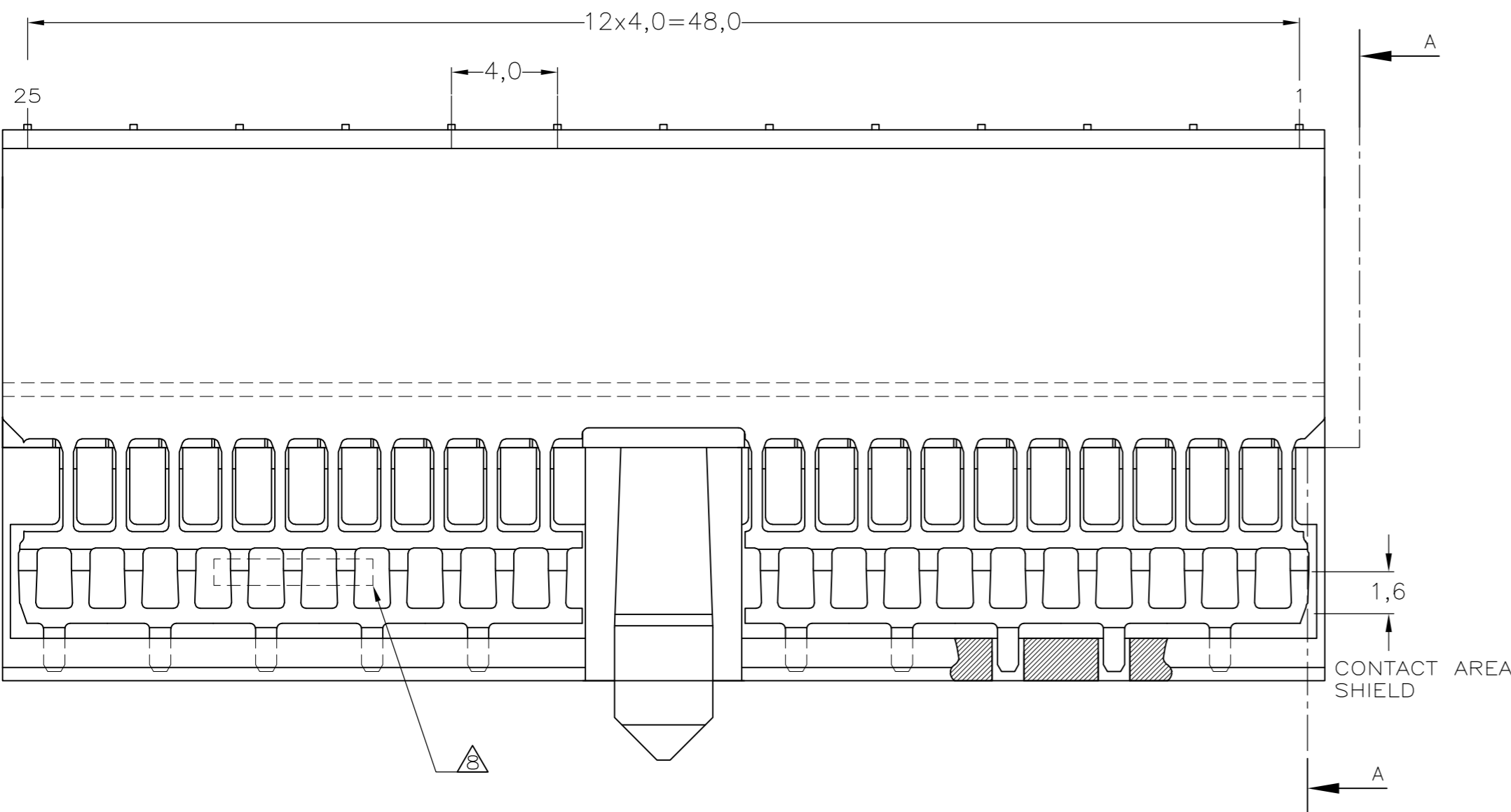
- [Email or Chat With Us](#)
- [Find a Phone Number](#)
- [Knowledge Base](#)
- [Manage Your Account](#)

**Keep Me Informed**

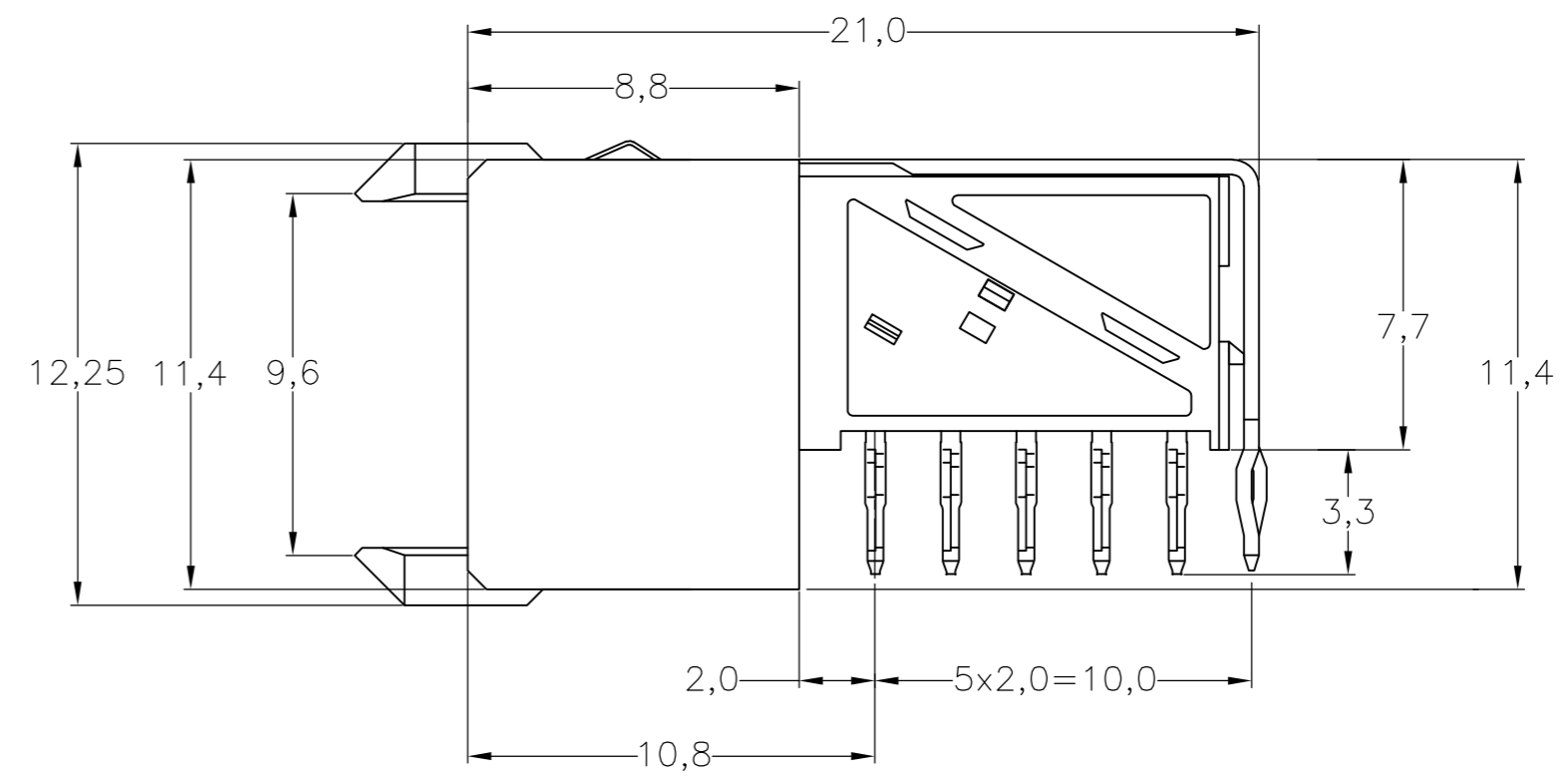
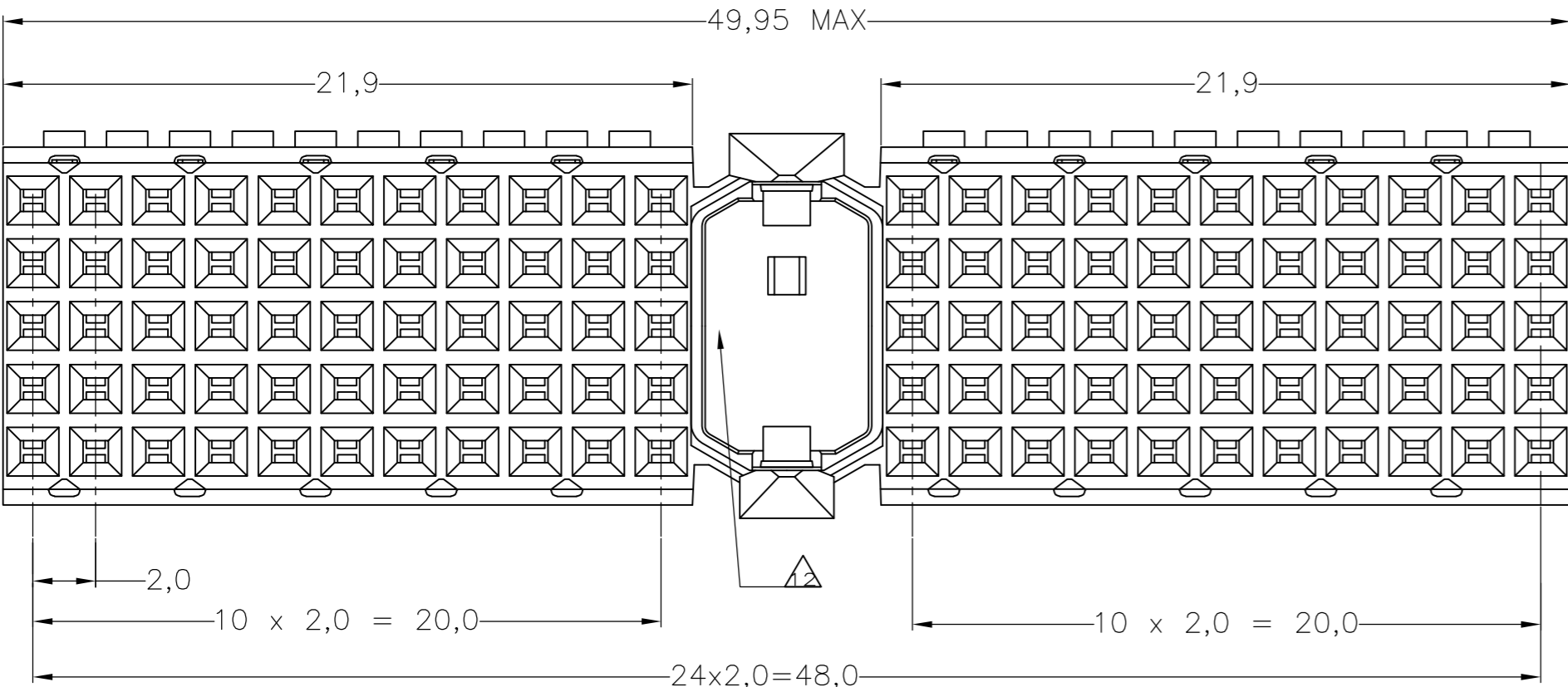


THIS DRAWING IS UNPUBLISHED. RELEASED FOR PUBLICATION  
 © COPYRIGHT - By - ALL RIGHTS RESERVED.

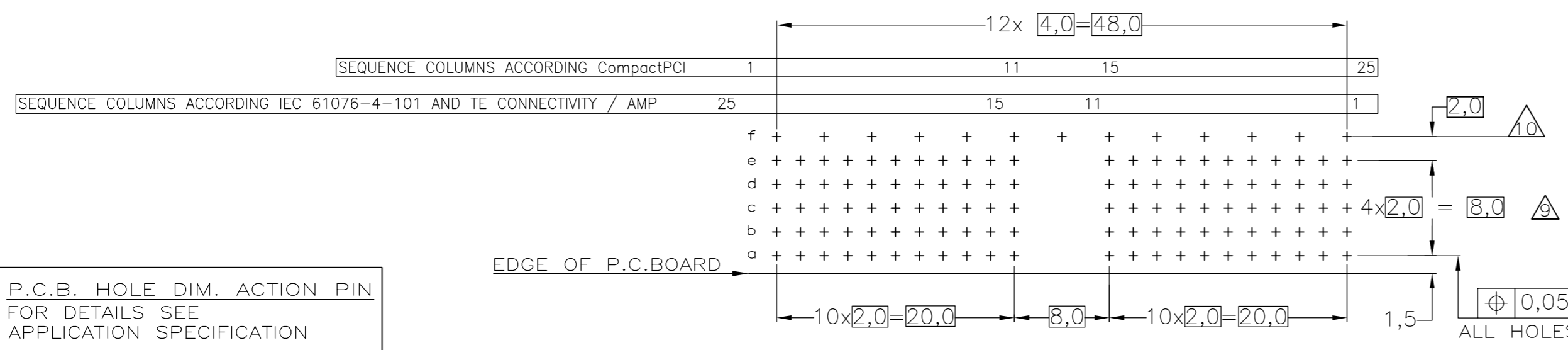
LOC		DIST		REVISIONS			
P	LTR	DESCRIPTION	DATE	DWN	APVD		
M		REVISED PER ECO-13-014710	13NOV2013	SY	FY		



- NOTES:
- 1 MATERIAL CONTACTS; PHOSPHORBRONZE
  - 2 MATERIAL HOUSING; GLASSFILLED POLYESTER (GRAY)
  - 3 GENERAL PLATING SPECIFICATION: UNDERPLATING (ENTIRE CONTACT): 1,27µm NICKEL MIN. AND ACTION PIN: 0,5µm TIN-LEAD MIN. FOR PLATING OF MATING SURFACES SEE APPLICABLE SPECIFICATION REFERENCE FOR EACH DASH NUMBER.
  - 4 CONFORMS TO ALL TESTING ACCORDING IEC 61076-4-101 PERFORMANCE LEVEL 2.
  - 5 CONFORMS TO ALL TESTING ACCORDING IEC 61076-4-101 PERFORMANCE LEVEL 1.
  - 6 CONNECTOR TESTED AND QUALIFIED AGAINST TELCORDIA GR-1217-CORE QUALITY LEVEL III, CENTRAL OFFICE APPLICATIONS. CONNECTOR LUBRICATED WITH TELCORDIA GR-1217-CORE APPROVED LUBRICANT.
  - 8 ASSEMBLY PRINTED WITH P/N AND DATECODE THE MARKING CAN APPEAR ON THE FRONT SIDE OR BACK SIDE.
  - 9 HOLE PATTERN FOR FEMALE CONNECTOR TYPE A 110 PLATED-THROUGH HOLES AT 2x2mm SQUARE GRID
  - 10 ROW "f" 13 PLATED THROUGH HOLES FOR UPPERSHIELD
  - 11 SHIELD MOUNTED ON CONNECTOR WITH DOUBLE SIDED ADHESIVE TAPE OR ADHESIVE
  - 12 AREA RESERVED FOR KEYING PART (BASIC P.N. 100526)
  - 13 BASIC P.N. LOWERSHIELD: 338108
  - 14 0.76µm MIN GOLD PLATING AT MATING SURFACES.



COMPONENT SIDE AS SHOWN  
 RECOMMENDED PCB-HOLE LAY-OUT  
 SCALE 2,5:1



P.C.B. HOLE DIM. ACTION PIN  
 FOR DETAILS SEE  
 APPLICATION SPECIFICATION

OBSOLETE	1 2 3 4	1	3-352068-0
	1 2 3 4	1	352068-9
	1 2 3 4	1	352068-4
	1 2 3	1	352068-1
	FINISH	MATERIAL	PARTNUMBER

THIS DRAWING IS A CONTROLLED DOCUMENT.

DWN	D. TRUREN	20JAN97
CHK	-	-
APVD	-	-
PRODUCT SPEC	108-19082	
APPLICATION SPEC	114-19029	
WEIGHT	-	
CUSTOMER DRAWING		

TE Connectivity

Z-PACK 2MM HM  
 TYPE A - 25 COLUMNS  
 PRE-SHIELDED RECEPTACLE

SIZE	A2	CAGE CODE	00779	DRAWING NO	C=352068	RESTRICTED TO	-
SCALE	NTS	SHEET	1 of 1	REV	M		