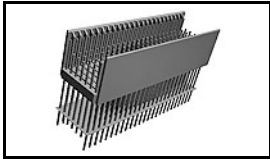


### 352033-1 Product Details

[Share](#) [Print](#) [Email](#)



**352033-1**

TE Internal Number: 352033-1

Active

[View 3D PDF](#)

#### 2mm Hard Metric PCB Mount Connectors (Z-PACK 2mm HM)

Not EU RoHS or ELV Compliant (Find RoHS Compliant Alternates)

#### Product Highlights:

- Connector
- Connector Assembly
- Connector Style = Plug
- Type = Type B, 19 Column
- Interface Type = 2mm HM

[View all Features](#)

#### Quick Links

- ▶ [Pricing & Availability](#)
- ▶ [Search for Tooling](#)
- ▶ [View Mating Products \(1\)](#)
- ▶ [Product Feature Selector](#)
- ▶ [Contact Us About This Product](#)

[Add to My Part List](#) [Request Sample](#) [Find Similar Products](#)

[Buy Product](#)

Documentation & Additional Information	
<p><b>Product Drawings:</b></p> <ul style="list-style-type: none"> <li>• <a href="#">MALE ASSEMBLY, Z-PACK 2mm HM, TYPE B (PDF, English)</a></li> </ul> <p><b>Catalog Pages/Data Sheets:</b></p> <ul style="list-style-type: none"> <li>• None Available</li> </ul> <p><b>Product Specifications:</b></p> <ul style="list-style-type: none"> <li>• <a href="#">Z-Pack 2 mm HM CONNECTORS (PDF, English)</a></li> </ul> <p><b>Application Specifications:</b></p> <ul style="list-style-type: none"> <li>• <a href="#">Z-PACK 2mm HM Interconnection System for Board-to-Bo... (PDF, English)</a></li> </ul> <p><b>Instruction Sheets:</b></p> <ul style="list-style-type: none"> <li>• None Available</li> </ul> <p><b>CAD Files:</b> (<a href="#">CAD Format &amp; Compression Information</a>)</p> <ul style="list-style-type: none"> <li>• <a href="#">2D Drawing (DXF, Version G1)</a></li> <li>• <a href="#">3D Model (IGES, Version G1)</a></li> <li>• <a href="#">3D Model (STEP, Version G1)</a></li> </ul>	<p><b>Additional Information:</b></p> <ul style="list-style-type: none"> <li>• <a href="#">Product Line Information</a></li> </ul> <p><b>Related Products:</b></p> <ul style="list-style-type: none"> <li>• <a href="#">Tooling</a></li> <li>• <a href="#">Mating Products (1)</a></li> </ul>

[List all Documents](#)

Product Features (Please use the Product Drawing for all design activity)	
<p><b>Product Type Features:</b></p> <ul style="list-style-type: none"> <li>• Product Type = Connector</li> <li>• Connector Type = Connector Assembly</li> <li>• <a href="#">PCB Mounting Orientation</a> = Vertical</li> </ul> <p><b>Mechanical Attachment:</b></p> <ul style="list-style-type: none"> <li>• <a href="#">Board Mount</a> = Fixed Board</li> </ul> <p><b>Termination Features:</b></p> <ul style="list-style-type: none"> <li>• <a href="#">Interface Type</a> = 2mm HM</li> <li>• Termination End Plating = Tin-Lead over Nickel</li> </ul> <p><b>Dimensions:</b></p> <ul style="list-style-type: none"> <li>• Module Length (mm [in]) = 38.00 [1.496]</li> </ul> <p><b>Body Features:</b></p> <ul style="list-style-type: none"> <li>• Type = Type B, 19 Column</li> <li>• CompactPCI Designation = P3</li> </ul>	<p><b>Housing Features:</b></p> <ul style="list-style-type: none"> <li>• Connector Style = Plug</li> <li>• <a href="#">Mating Alignment</a> = Without</li> <li>• Housing Color = Gray</li> <li>• Housing Material = Polyester - GF</li> </ul> <p><b>Configuration Features:</b></p> <ul style="list-style-type: none"> <li>• <a href="#">Number of Rows</a> = 5+2</li> <li>• <a href="#">Number of Positions</a> = 133</li> <li>• <a href="#">Crosstalk Version</a> = Standard</li> <li>• <a href="#">Shielded</a> = No</li> <li>• Rows Loaded = Z, F, E, C, B, A, D</li> </ul> <p><b>Industry Standards:</b></p> <ul style="list-style-type: none"> <li>• <a href="#">RoHS/ELV Compliance</a> = Not ELV/RoHS compliant</li> <li>• <a href="#">Lead Free Solder Processes</a> = Not relevant for lead free process</li> </ul>

**Contact Features:**

- [Contact Configuration](#) = Signal
- [Feedthrough Post Length \(mm \[in\]\)](#) = 3.70 [0.145]
- [CompactPCI](#) = Yes
- [Contact Plating, Mating Area, Material](#) = Gold (30)
- [Grounding Contact](#) = Without
- [Contact Style](#) = Short Tail
- [Number of Signal Contacts](#) = 95
- [Contact Base Material](#) = Phosphor Bronze

- [UL Flammability Rating](#) = UL 94V-0

**Other:**

- [Brand](#) = AMP

**Corporate Information**

[About TE](#)  
[Investors](#)  
[News Room](#)  
[Supplier Portal](#)  
[Careers](#)  
[Terms & Conditions](#)  
[Privacy Policy](#)  
[AODA Accessibility Policy](#)  
[AODA Multi-Year Accessibility Plan](#)

**Quick Links**

[Distributor Inventory](#)  
[Product Cross Reference](#)  
[Documents & Drawings](#)  
[Product Compliance Support Center](#)  
[Site Map](#)

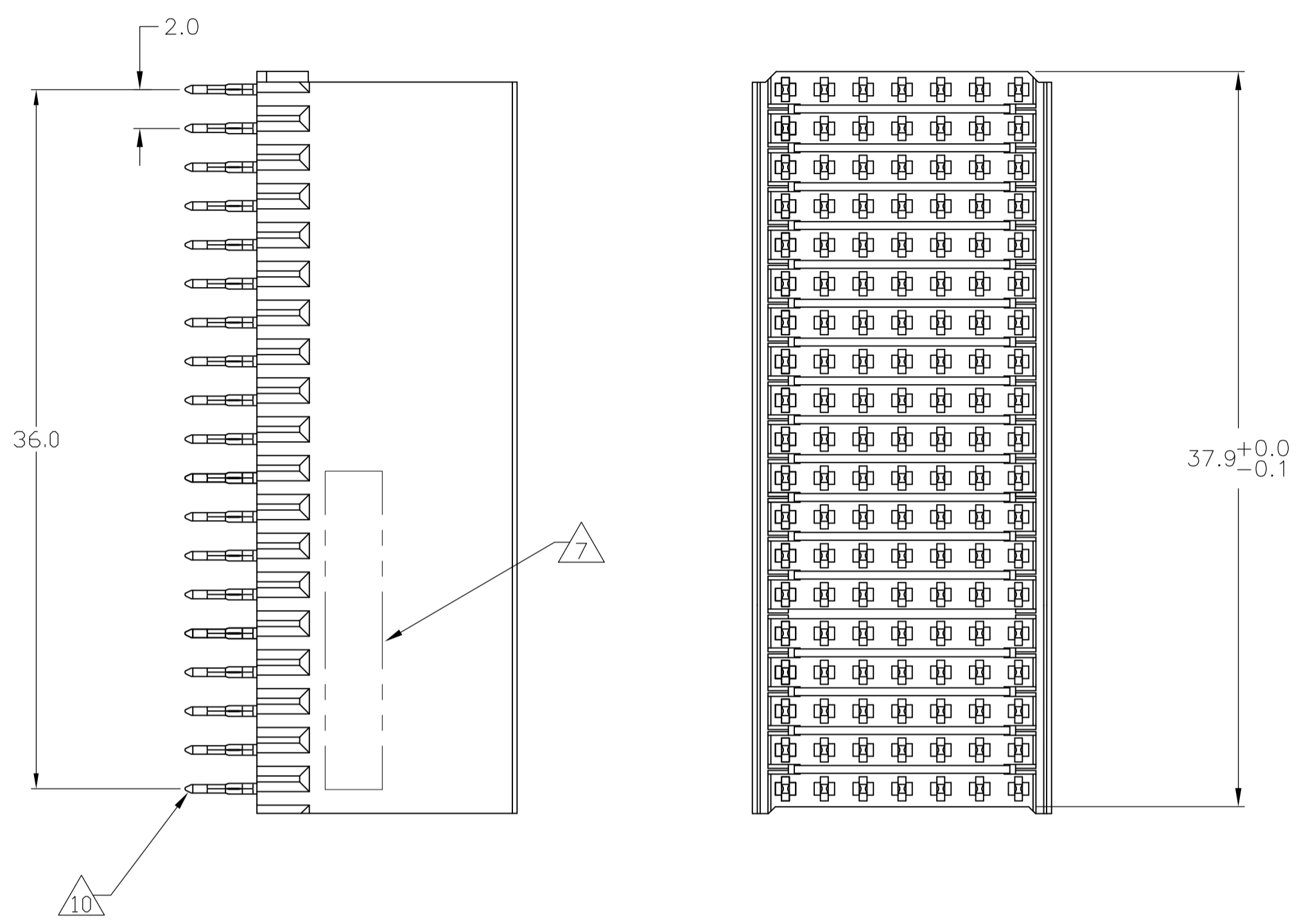
**Customer Support**

[Email or Chat With Us](#)  
[Find a Phone Number](#)  
[Knowledge Base](#)  
[Manage Your Account](#)

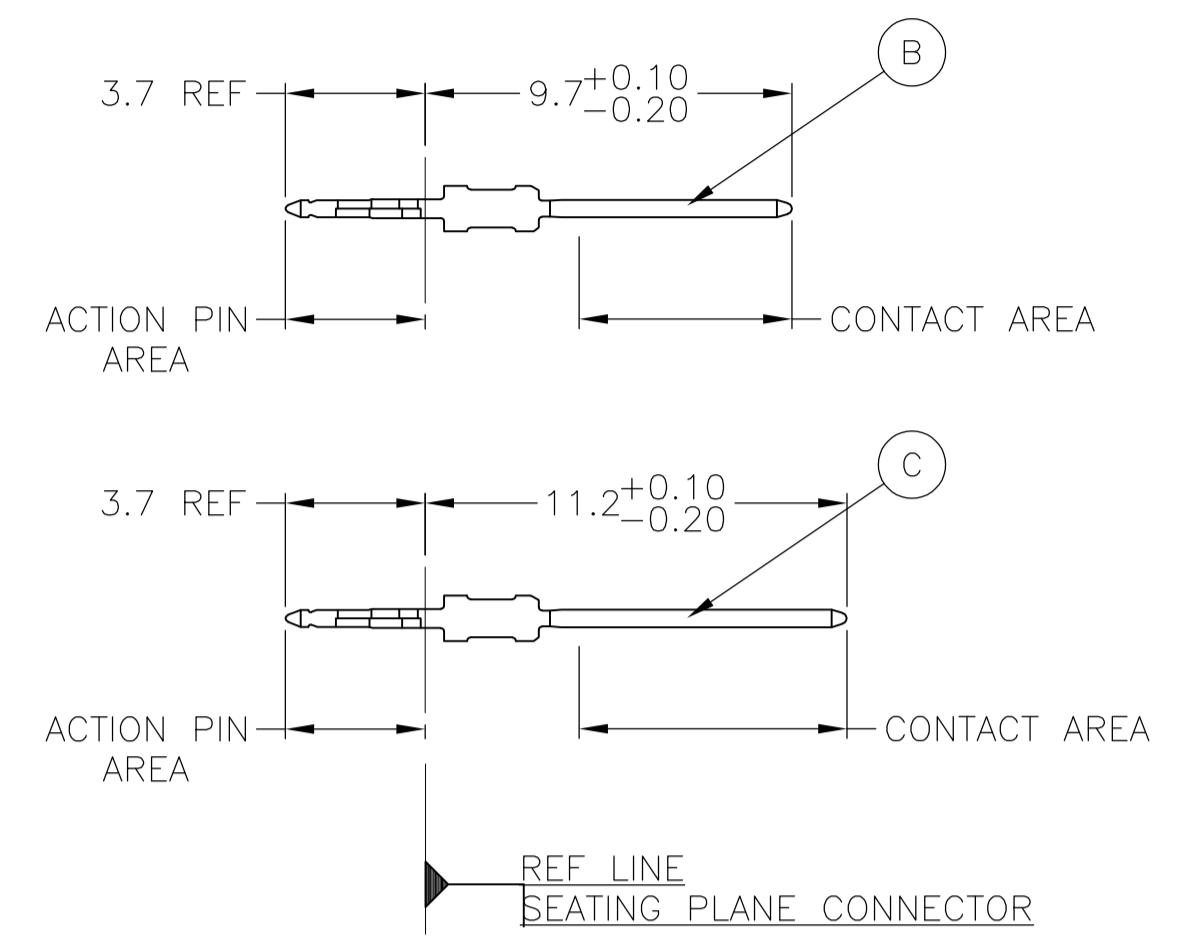
**Keep Me Informed**

LOC		DIST		REVISIONS				
AD	00	REV	DATE	BY	CHK	APPV		
		K	18JAN2013	FL	AC			

### CONNECTOR ASSEMBLY EXAMPLARY LOADED 9

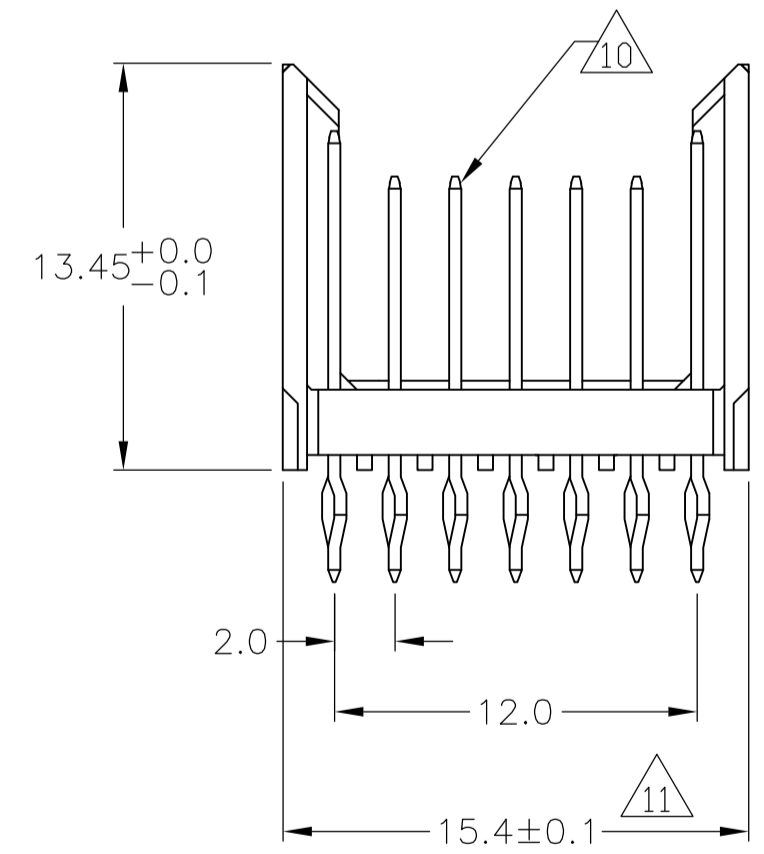


### CONTACT DIMENSIONS SCALE 5:1

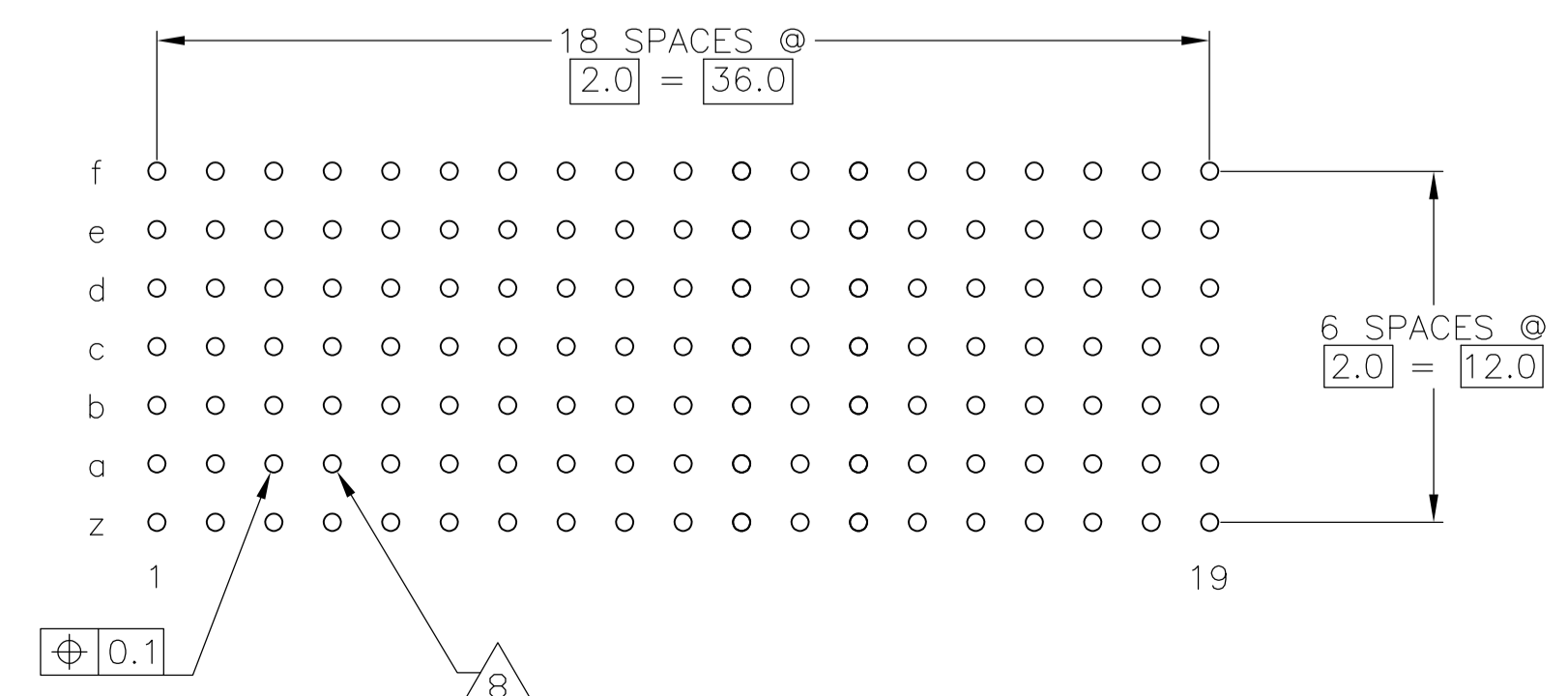


### CONTACT LAYOUT

	z	a	b	c	d	e	f
1	C	B	B	B	B	B	C
2	C	B	B	B	B	B	C
3	C	B	B	B	B	B	C
4	C	B	B	B	B	B	C
5	C	B	B	B	B	B	C
6	C	B	B	B	B	B	C
7	C	B	B	B	B	B	C
8	C	B	B	B	B	B	C
9	C	B	B	B	B	B	C
10	C	B	B	B	B	B	C
11	C	B	B	B	B	B	C
12	C	B	B	B	B	B	C
13	C	B	B	B	B	B	C
14	C	B	B	B	B	B	C
15	C	B	B	B	B	B	C
16	C	B	B	B	B	B	C
17	C	B	B	B	B	B	C
18	C	B	B	B	B	B	C
19	C	B	B	B	B	B	C



### RECOMMENDED PCB-HOLE LAYOUT COMPONENT SIDE SHOWN


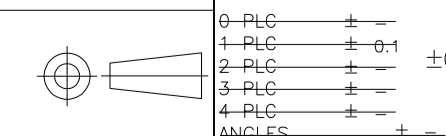


### PLATED THRU HOLES PARAMETERS REFERENCE APPLICATION SPECIFICATION

2	4	15	5-352033-0
2	3	13	3-352033-1
2	5	12,13	3-352033-0
2	6	12	1-352033-9
2	5	12	3-352033-9
2	4		352033-4
2	3		352033-1
FINISH			PART NUMBER

THIS DRAWING IS A CONTROLLED DOCUMENT.		DIN B CARBO 13DEC05		G.SKIPPER 13DEC05		G.SKIPPER 13DEC05		NAME	
DIMENSIONS: mm		TOLERANCES UNLESS OTHERWISE SPECIFIED:		APVD G.SKIPPER 13DEC05		PRODUCT SPEC		MALE ASSEMBLY, Z-PACK 2mm HM, TYPE B	
0-PLG ±		1-PLG ±0.1		108-19082		APPLICATION SPEC		SIZE CAGE CODE DRAWING NO	
1-PLG ±0.1		2-PLG ±0.2		114-19029		WEIGHT		A1 00779 C=352033	
2-PLG ±		3-PLG ±		CUSTOMER DRAWING		SCALE 4:1		SHEET 1 OF 2	
3-PLG ±		4-PLG ±						REV K	
ANGLES ±									
MATERIAL 1		FINISH SEE TABLE							

- 1 MATERIAL:  
CONTACT: PHOSPHOR BRONZE.  
HOUSING: GLASS-FILLED POLYESTER.
- 2 GENERAL PLATING SPECIFICATION: UNDERPLATING  
(ENTIRE CONTACT): 1.27µm MIN NICKEL AND ACTION  
PIN: 0.5µm MIN TIN/LEAD.  
FOR PLATING OF MATING SURFACES SEE APPLICABLE  
SPECIFICATION REFERENCE FOR EACH DASH NUMBER.
- 3 CONFORMS TO ALL TESTING ACCORDING TO IEC 61076-4-101  
PERFORMANCE LEVEL 2.
- 4 CONFORMS TO ALL TESTING ACCORDING TO IEC 61076-4-101  
PERFORMANCE LEVEL 1.
- 5 CONNECTOR TESTED AND QUALIFIED AGAINST TELCORDIA GR-1217-CORE QUALITY LEVEL 3,  
CENTRAL OFFICE APPLICATIONS.
- 6 CONNECTOR TESTED AND QUALIFIED AGAINST TELCORDIA GR-1217-CORE QUALITY LEVEL 3,  
UNCONTROLLED ENVIROMENT APPLICATIONS.
- 7 CONNECTOR MARKED WITH PART NUMBER AND DATE CODE.  
ADDITIONAL CHARACTERS OR MARKINGS, AS WELL AS THE LOCATION OF THE MARKINGS,  
MAY BE ADDED FOR TRACEABILITY BASED UPON MANUFACTURERS DISCRETION.
- 8 PLATED-THROUGH HOLES AT 2x2mm SQUARE GRID  
PATTERN DEFINED BY CONTACT LAYOUT.
- 9 FOR ACTUAL PIN LOADING SEE "CONTACT LAYOUT".
- 10 FOR ACTUAL PIN DIMENSIONS SEE "CONTACT DIMENSIONS".
- 11 TO BE MEASURED AT BOTTOM OF SHROUD.
- 12 CONNECTOR LUBRICATED WITH BELCORE APPROVED LUBRICANT,  
TECHNICAL REFERENCE: TR-NWT-001217 ISSUE 1, SEP 1992.
- 13 0.76µm MIN GOLD PLATING AT MATING SURFACES.
- 14 OBSOLETE PARTS: OBSOLETE CIS STREAMLINING PER D.RENAUD/D.SINISI
- 15 1.27µm MIN GOLD PLATING AT MATING SURFACES.

THIS DRAWING IS A CONTROLLED DOCUMENT.		DIN E CARBO 13DEC05	 TE Connectivity	
DIMENSIONS: mm		CIK G SKIPPER 13DEC05		
		APVD G SKIPPER 13DEC05	NAME MALE ASSEMBLY, Z-PACK 2mm HM, TYPE B	
TOLERANCES UNLESS OTHERWISE SPECIFIED: ±0.2		PRODUCT SPEC 108-19082	APPLICATION SPEC 114-19029	
MATERIAL SEE SHEET 1	FINISH SEE SHEET 1	WEIGHT -	SIZE A1	CAGE CODE 00779
CUSTOMER DRAWING		DRAWING NO 352033	RESTRICTED TO -	
		SCALE 4:1	SHEET 2	OF 2
			REV K	