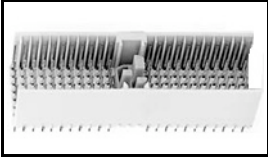


100143-1 Product Details

[Share](#) [Print](#) [Email](#)



100143-1

TE Internal Number: 100143-1

 Active

[View 3D PDF](#)

2mm Hard Metric PCB Mount Connectors (Z-PACK 2mm HM)

Not EU RoHS or ELV Compliant (Find RoHS Compliant Alternates)

Product Highlights:

- Connector
- Connector Assembly
- Connector Style = Plug
- Type = Type A
- Interface Type = 2mm HM

[View all Features](#)

Quick Links

- ▶ [Pricing & Availability](#)
- ▶ [Search for Tooling](#)
- ▶ [View Mating Products \(1\)](#)
- ▶ [Product Feature Selector](#)
- ▶ [Contact Us About This Product](#)

[Add to My Part List](#)

[Request Sample](#)

[Find Similar Products](#)

[Buy Product](#)

Documentation & Additional Information

Product Drawings:

- [MALE ASSEMBLY, Z-PACK 2mm HM, TYPE A \(PDF, English\)](#)

Catalog Pages/Data Sheets:

- [2-1773454-6_Stacking_Connectors \(PDF, English\)](#)

Product Specifications:

- [Z-Pack 2 mm HM CONNECTORS \(PDF, English\)](#)

Application Specifications:

- [Z-PACK 2mm HM Interconnection System for Board-to-Bo... \(PDF, English\)](#)

Instruction Sheets:

- [INSERTION TOOL FOR Z-PACK 2mm HM CONN. \(PDF, Japanese\)](#)

CAD Files: (CAD Format & Compression Information)

- [2D Drawing \(DXF, Version K\)](#)
- [3D Model \(IGES, Version K\)](#)
- [3D Model \(STEP, Version K\)](#)

[List all Documents](#)

Additional Information:

- [Product Line Information](#)

Related Products:

- [Tooling](#)
- [Mating Products \(1\)](#)

Product Features (Please use the Product Drawing for all design activity)

Product Type Features:

- Product Type = Connector
- Connector Type = Connector Assembly
- PCB Mounting Orientation = Vertical

Mechanical Attachment:

- Board Mount = Fixed Board
- Front Mating Level = Level 1

Termination Features:

- Interface Type = 2mm HM
- Termination End Plating = Tin-Lead over Nickel

Dimensions:

- Module Length (mm [in]) = 50.00 [1.968]

Body Features:

- Type = Type A

Housing Features:

- Connector Style = Plug
- Mating Alignment = With
- Mating Alignment Type = Multi-Purpose Center
- Housing Color = Gray
- Housing Material = PBT - GF

Configuration Features:

- Number of Rows = 5
- Number of Positions = 110
- Crosstalk Version = Standard
- Shielded = No
- Rows Loaded = B, A, C, E, D

Industry Standards:

- RoHS/ELV Compliance = Not ELV/RoHS compliant
- Lead Free Solder Processes = Not relevant for lead

Contact Features:

- Contact Configuration = ACTION PIN Post, Signal
- Feedthrough Post Length (mm [in]) = 3.70 [0.145]
- CompactPCI = No
- Contact Plating, Mating Area, Material = Gold (30)
- Grounding Contact = Without
- Contact Style = Short Tail
- Contact Base Material = Phosphor Bronze

free process

- UL Flammability Rating = UL 94V-0

Packaging Features:

- Packaging Quantity = 11

Other:

- Brand = AMP

Corporate Information

[About TE](#)
[Investors](#)
[News Room](#)
[Supplier Portal](#)
[Careers](#)
[Terms & Conditions](#)
[Privacy Policy](#)
[AODA Accessibility Policy](#)
[AODA Multi-Year Accessibility Plan](#)

Quick Links

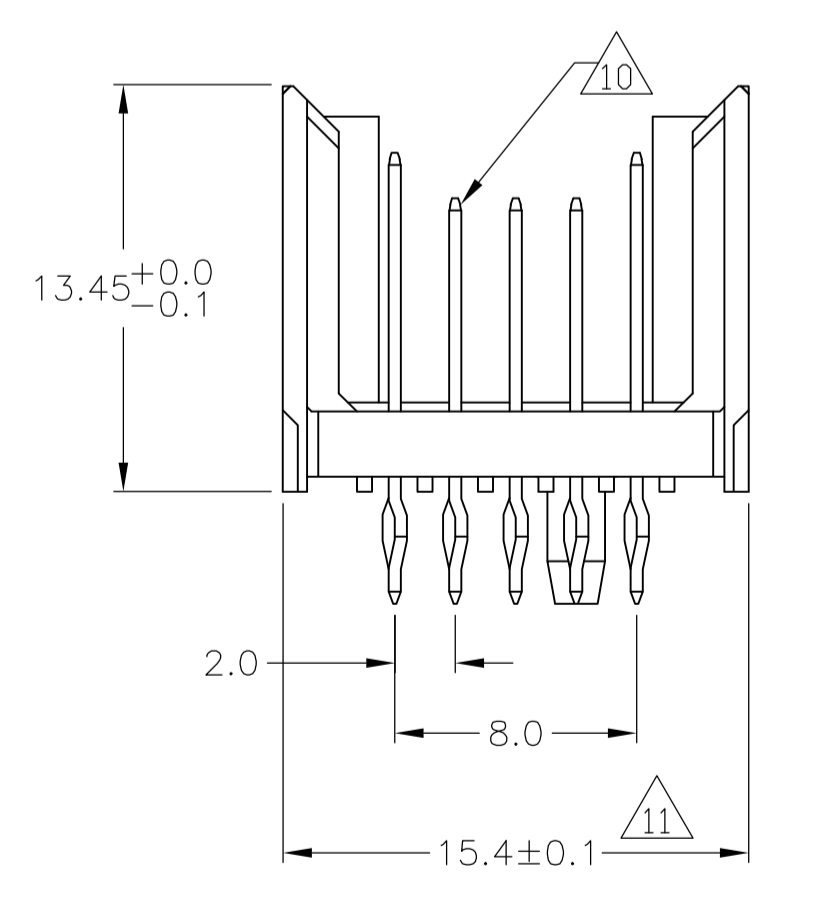
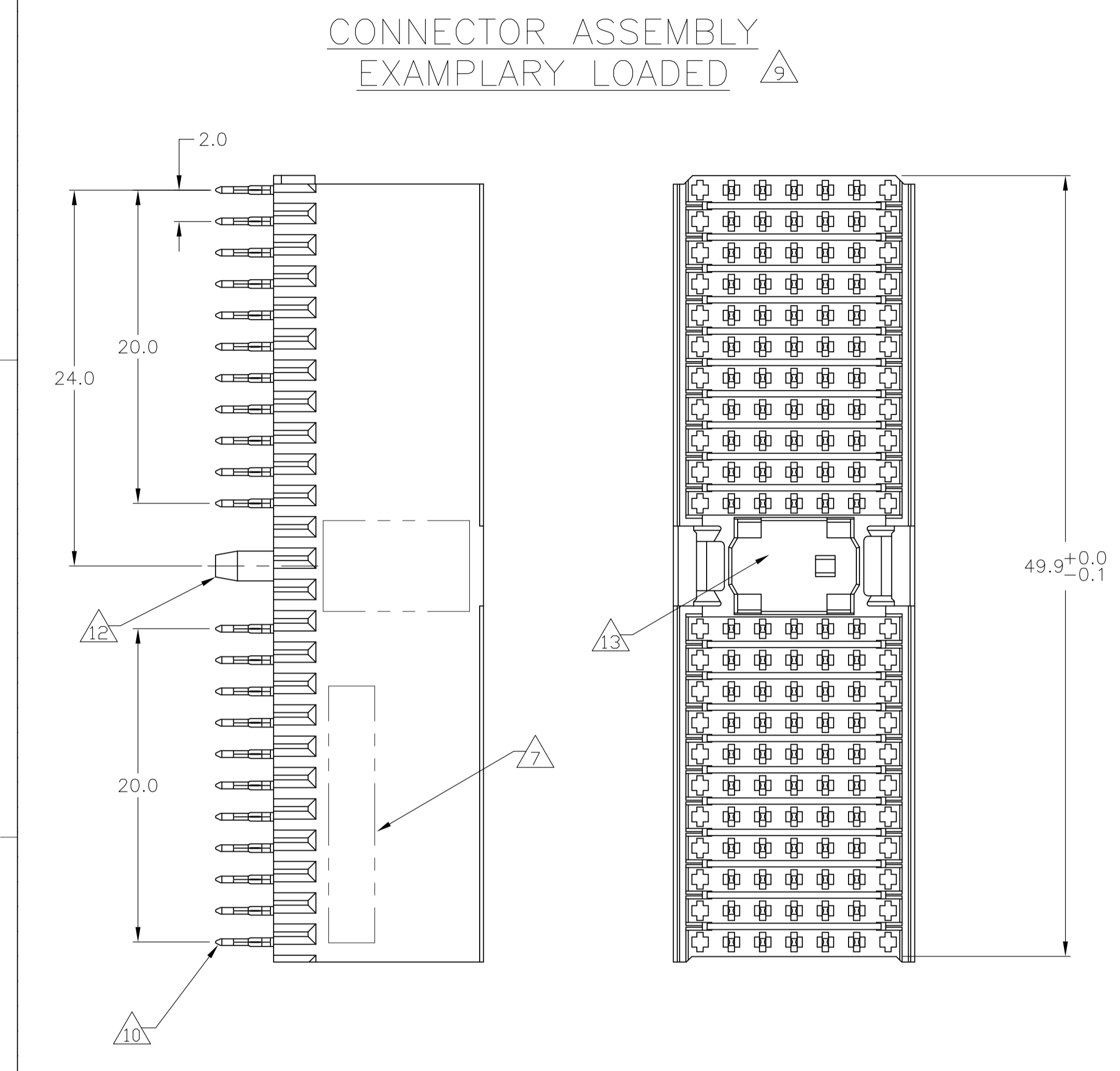
[Distributor Inventory](#)
[Product Cross Reference](#)
[Documents & Drawings](#)
[Product Compliance Support Center](#)
[Site Map](#)

Customer Support

[Email or Chat With Us](#)
[Find a Phone Number](#)
[Knowledge Base](#)
[Manage Your Account](#)

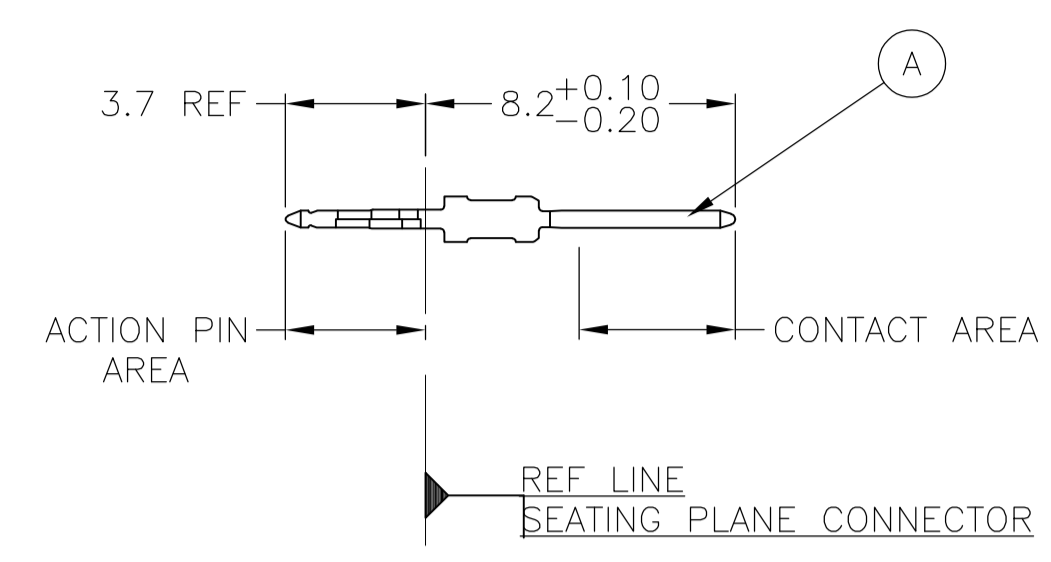
Keep Me Informed

LOC		DIST		REVISIONS			
AD	00	P	LTR	DESCRIPTION	DATE	DWN	APVD
		N2		REVISED PER ECO-11-005033	28MAR11	RK	HMR
		P		ECR-12-009853	6NOV12	SY	AC



CONTACT DIMENSIONS

SCALE 5:1



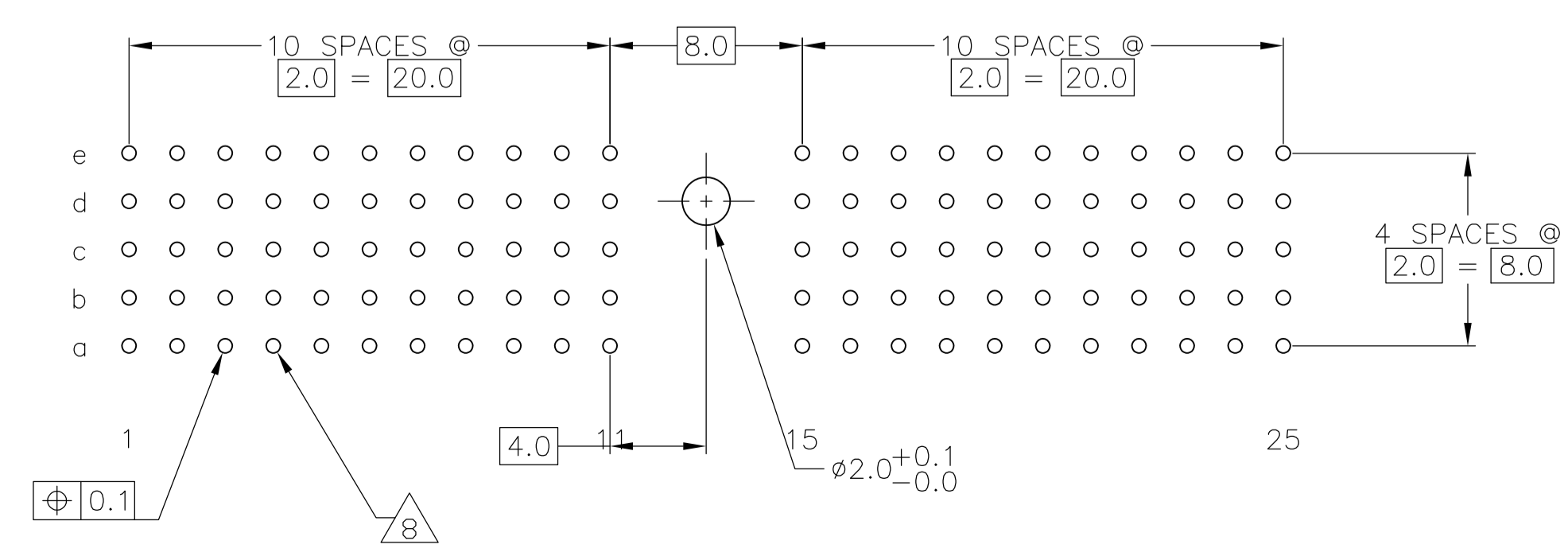
CONTACT LAYOUT

	z	a	b	c	d	e	f
1	A	A	A	A	A		
2	A	A	A	A	A		
3	A	A	A	A	A		
4	A	A	A	A	A		
5	A	A	A	A	A		
6	A	A	A	A	A		
7	A	A	A	A	A		
8	A	A	A	A	A		
9	A	A	A	A	A		
10	A	A	A	A	A		
11	A	A	A	A	A		
MULTI PURPOSE CENTER							
15	A	A	A	A	A		
16	A	A	A	A	A		
17	A	A	A	A	A		
18	A	A	A	A	A		
19	A	A	A	A	A		
20	A	A	A	A	A		
21	A	A	A	A	A		
22	A	A	A	A	A		
23	A	A	A	A	A		
24	A	A	A	A	A		
25	A	A	A	A	A		

RECOMMENDED PCB-HOLE LAYOUT COMPONENT SIDE SHOWN

PLATED THRU HOLES PARAMETERS

REFERENCE APPLICATION SPECIFICATION



2	3	15	3-100143-0
2	6	14	1-100143-9
2	5	14	100143-9
2	4		100143-4
2	3		100143-1
DISOLETE			
FINISH		PART NUMBER	


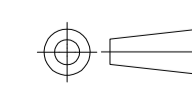
THIS DRAWING IS A CONTROLLED DOCUMENT.

DIMENSIONS: mm	TOLERANCES UNLESS OTHERWISE SPECIFIED:	DIN F. BEUN 11NOV98	APVD L. REF 11NOV98	STE TE Connectivity	
0. PLC ± -	1. PLC ± 0.1	NAME		MALE ASSEMBLY, Z-PACK 2mm HM, TYPE A	
2. PLC ± -	3. PLC ± -	PRODUCT SPEC		108-19082	
4. PLC ANGLES ± -		APPLICATION SPEC		114-19029	
		SIZE	CAGE CODE	DRAWING NO	RESTRICTED TO
		WEIGHT	A1	00779	100143
			CUSTOMER DRAWING		

SCALE 4:1 SHEET 1 OF 2 REV P

LOC		DIST		REVISIONS				
P	LTR	DESCRIPTION	DATE	DN	APVD			
-	-	SEE SHEET 1	-	-	-			

- 1 MATERIAL:
CONTACT: PHOSPHOR BRONZE.
HOUSING: GLASS-FILLED POLYESTER.
- 2 GENERAL PLATING SPECIFICATION: UNDERPLATING
(ENTIRE CONTACT): 1.27µm MIN NICKEL AND ACTION
PIN: 0.5µm MIN TIN\LEAD.
FOR PLATING OF MATING SURFACES SEE APPLICABLE
SPECIFICATION REFERENCE FOR EACH DASH NUMBER.
- 3 CONFORMS TO ALL TESTING ACCORDING TO IEC 61076-4-101
PERFORMANCE LEVEL 2.
- 4 CONFORMS TO ALL TESTING ACCORDING TO IEC 61076-4-101
PERFORMANCE LEVEL 1.
- 5 CONNECTOR TESTED AND QUALIFIED AGAINST TELCORDIA GR-1217-CORE QUALITY LEVEL 3,
CENTRAL OFFICE APPLICATIONS.
- 6 CONNECTOR TESTED AND QUALIFIED AGAINST TELCORDIA GR-1217-CORE QUALITY LEVEL 3,
UNCONTROLLED ENVIROMENT APPLICATIONS.
- 7 CONNECTOR MARKED WITH PART NUMBER AND DATE CODE.
ADDITIONAL CHARACTERS OR MARKINGS, AS WELL AS THE LOCATION OF THE MARKINGS,
MAY BE ADDED FOR TRACEABILITY BASED UPON MANUFACTURERS DISCRETION.
- 8 PLATED-THROUGH HOLES AT 2x2mm SQUARE GRID
PATTERN DEFINED BY CONTACT LAYOUT.
- 9 FOR ACTUAL PIN LOADING SEE "CONTACT LAYOUT".
- 10 FOR ACTUAL PIN DIMENSIONS SEE "CONTACT DIMENSIONS".
- 11 TO BE MEASURED AT BOTTOM OF SHROUD.
- 12 POLARIZATION FEATURE.
- 13 AREA RESERVED FOR KEYING PART (BASIC P/N 100525).
- 14 CONNECTOR LUBRICATED WITH BELCORE APPROVED LUBRICANT,
TECHNICAL REFERENCE: TR-NWT-001217 ISSUE 1, SEP 1992.
- 15 0.76µm MIN GOLD PLATING AT MATING SURFACES.

THIS DRAWING IS A CONTROLLED DOCUMENT.		DIN F. BEUN 11NOV98		 TE Connectivity	
DIMENSIONS: mm		CHK L. REE 11NOV98			
		TOLERANCES UNLESS OTHERWISE SPECIFIED:		NAME MALE ASSEMBLY, Z-PACK 2mm HM, TYPE A	
0. PLC ± -		APVD		PRODUCT SPEC 108-19082	
1. PLC ± 0.1		MATERIAL SEE SHEET 1		APPLICATION SPEC 114-19029	
2. PLC ± -		FINISH SEE SHEET 1		SIZE A1	
3. PLC ± -		WEIGHT -		CAGE CODE 00779	
4. PLC ± -		CUSTOMER DRAWING		DRAWING NO 100143	
ANGLES ± ± -		SCALE 4:1		RESTRICTED TO -	
		SHEET 2 OF 2		REV P	