

106081-1 Product Details

[Share](#) [Print](#) [Email](#)



106081-1

TE Internal Number: 106081-1

 Active

[View 3D PDF](#)

2mm Hard Metric PCB Mount Connectors (Z-PACK 2mm HM)

Not EU RoHS or ELV Compliant (Find RoHS Compliant Alternates)

Product Highlights:

- Connector
- Connector Assembly
- Connector Style = Plug
- Type = Type C
- Interface Type = 2mm HM

[View all Features](#)

Quick Links

- ▶ [Pricing & Availability](#)
- ▶ [Search for Tooling](#)
- ▶ [View Mating Products \(2\)](#)
- ▶ [Product Feature Selector](#)
- ▶ [Contact Us About This Product](#)

[Add to My Part List](#)

[Request Sample](#)

[Find Similar Products](#)

[Buy Product](#)

Documentation & Additional Information

Product Drawings:

- [MALE ASSEMBLY, Z-PACK 2mm HM, TYPE C \(PDF, English\)](#)

Catalog Pages/Data Sheets:

- None Available

Product Specifications:

- [Z-Pack 2 mm HM CONNECTORS \(PDF, English\)](#)

Application Specifications:

- [Z-PACK 2mm HM Interconnection System for Board-to-Bo... \(PDF, English\)](#)

Instruction Sheets:

- None Available

CAD Files: ([CAD Format & Compression Information](#))

- [2D Drawing \(DXF, Version F\)](#)
- [3D Model \(IGES, Version F\)](#)
- [3D Model \(STEP, Version F\)](#)

[List all Documents](#)

Additional Information:

- [Product Line Information](#)

Related Products:

- [Tooling](#)
- [Mating Products \(2\)](#)

Product Features (Please use the Product Drawing for all design activity)

Product Type Features:

- Product Type = Connector
- Connector Type = Connector Assembly
- [PCB Mounting Orientation](#) = Vertical

Mechanical Attachment:

- [Board Mount](#) = Fixed Board
- Front Mating Level = Level 1

Termination Features:

- [Interface Type](#) = 2mm HM
- Termination End Plating = Tin-Lead over Nickel

Dimensions:

- [Module Length \(mm \[in\]\)](#) = 25.00 [0.984]

Body Features:

- [Type](#) = Type C

Housing Features:

- Connector Style = Plug
- [Mating Alignment](#) = With
- [Mating Alignment Type](#) = Polarizing Peg
- Housing Color = Gray
- Housing Material = Polyester - GF

Configuration Features:

- [Number of Rows](#) = 5+2
- [Number of Positions](#) = 77
- [Crosstalk Version](#) = Standard
- [Shielded](#) = No
- Rows Loaded = A, Z, F, E, D, C, B
- Shield Type = Ground Return Shielding

Industry Standards:

- [RoHS/ELV Compliance](#) = Not ELV/RoHS compliant

Contact Features:

- Contact Configuration = ACTION PIN Post, Signal
- Feedthrough Post Length (mm [in]) = 3.70 [0.145]
- CompactPCI = No
- Contact Plating, Mating Area, Material = Gold (30)
- Grounding Contact = Without
- Contact Style = Short Tail
- Contact Base Material = Phosphor Bronze

- [Lead Free Solder Processes](#) = Not relevant for lead free process
- UL Flammability Rating = UL 94V-0

Packaging Features:

- Packaging Quantity = 22

Other:

- Brand = AMP
- Comment = This module type is used only at one end of stacked connector modules

Corporate Information

[About TE](#)
[Investors](#)
[News Room](#)
[Supplier Portal](#)
[Careers](#)
[Terms & Conditions](#)
[Privacy Policy](#)
[AODA Accessibility Policy](#)
[AODA Multi-Year Accessibility Plan](#)

Quick Links

[Distributor Inventory](#)
[Product Cross Reference](#)
[Documents & Drawings](#)
[Product Compliance Support Center](#)
[Site Map](#)

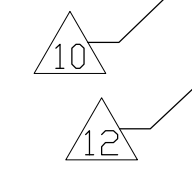
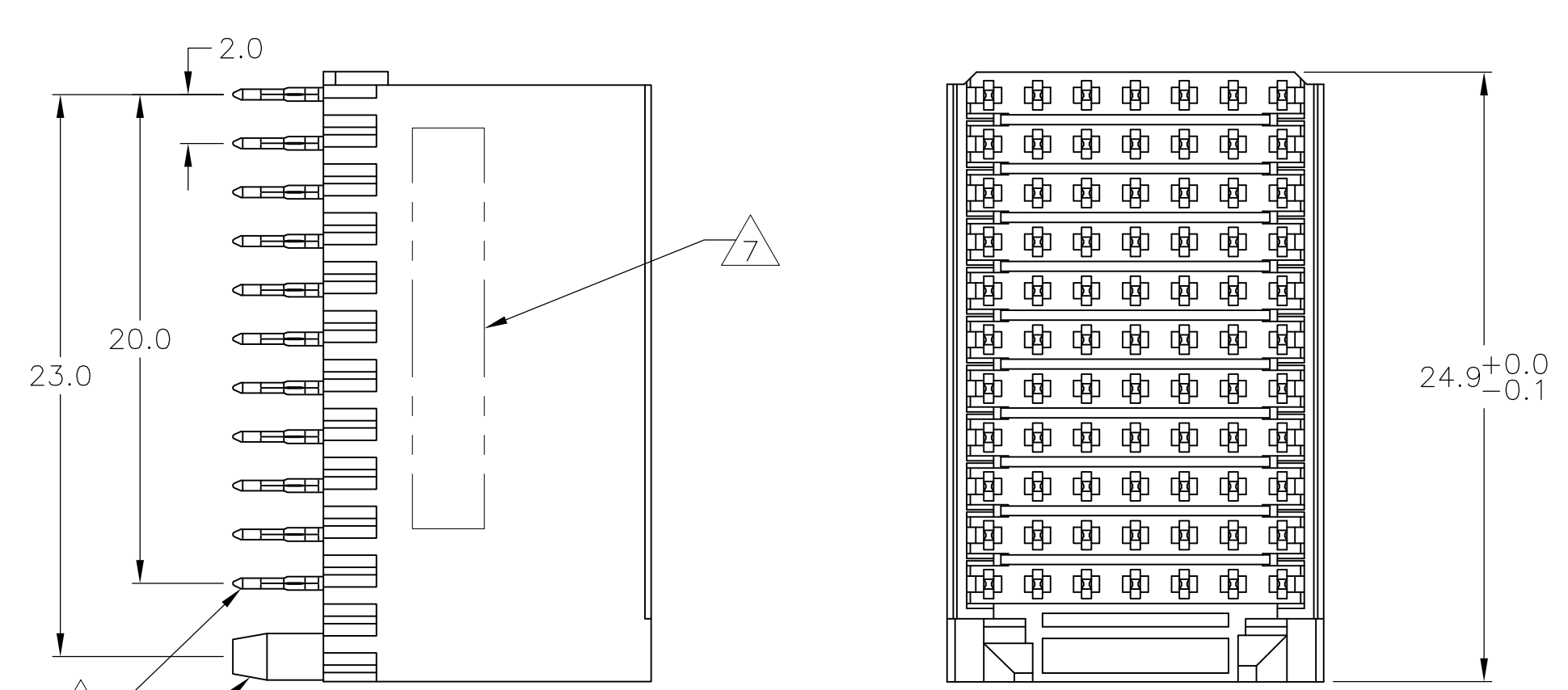
Customer Support

[Email or Chat With Us](#)
[Find a Phone Number](#)
[Knowledge Base](#)
[Manage Your Account](#)

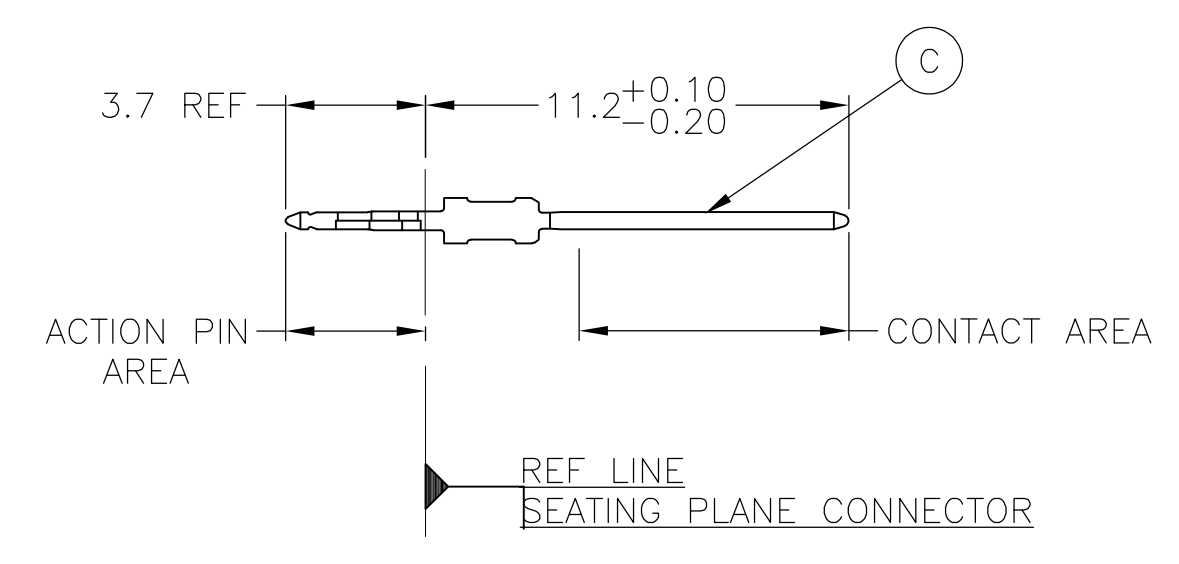
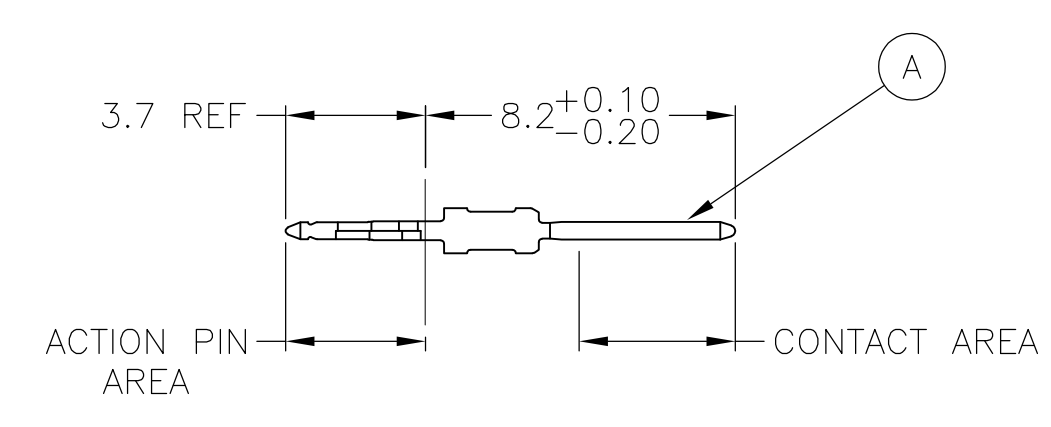
Keep Me Informed

LOC		DIST		REVISIONS			
AD	00	REV	PER	DESCRIPTION	DATE	DNW	APVD
		H2	REV	PER ECO-10-001916	02FEB2010	JY	SY
		J	ECR	-10-018652	10SEP10	SW	MQW

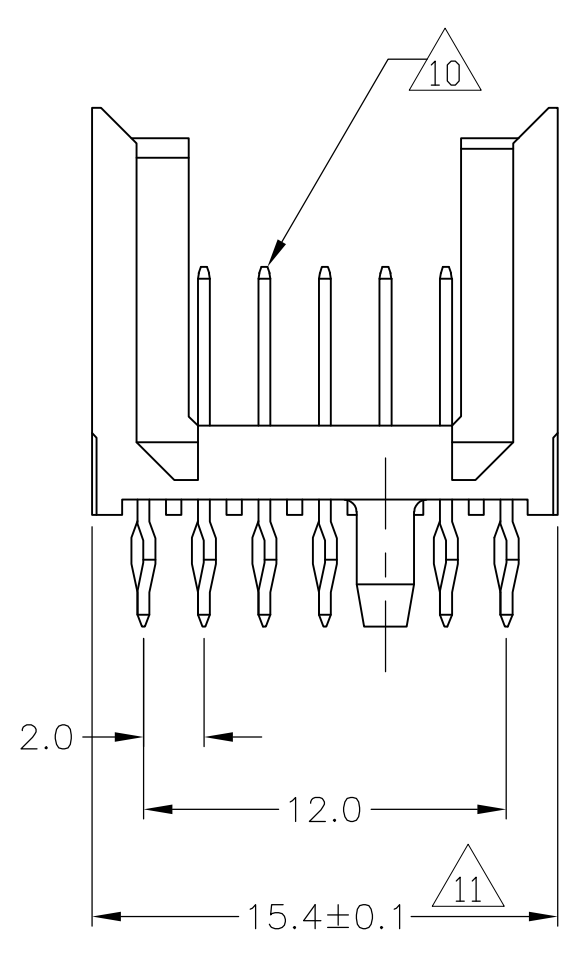
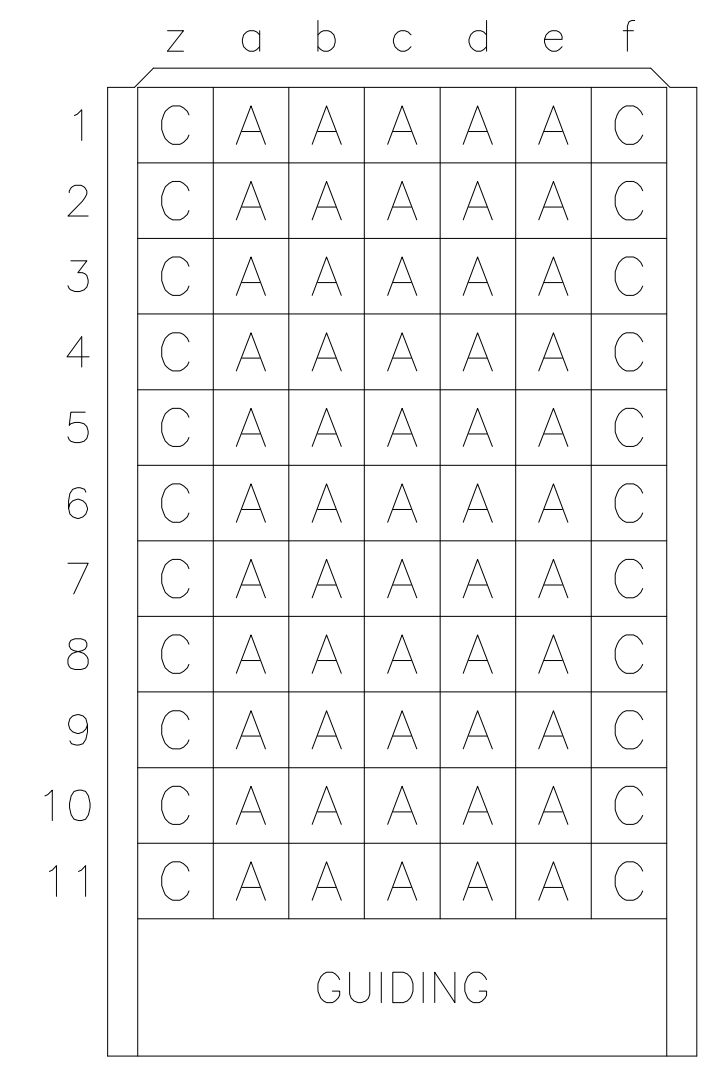
CONNECTOR ASSEMBLY EXAMPLARY LOADED 9



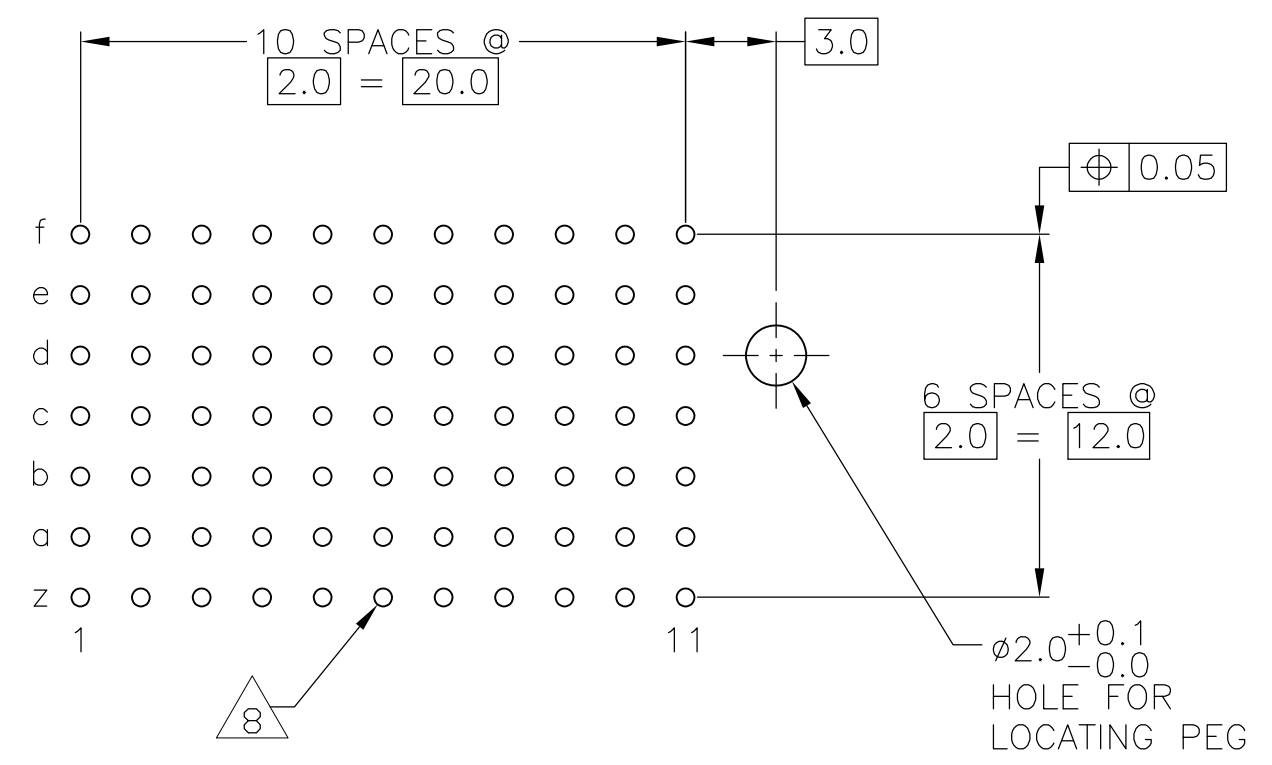
CONTACT DIMENSIONS SCALE 5:1



CONTACT LAYOUT



RECOMMENDED PCB-HOLE LAYOUT COMPONENT SIDE SHOWN



PLATED THRU HOLES PARAMETERS REFERENCE APPLICATION SPECIFICATION

14	2 3 15	3-106081-0
	2 6 13	1-106081-9
	2 5 13	106081-9
	2 4	106081-4
	2 3	106081-1
FINISH		PART NUMBER

THIS DRAWING IS A CONTROLLED DOCUMENT.		DIN B CARBO 24JAN05	Tyco Electronics Corporation Harrisburg, Pa 17105-3608	
DIMENSIONS: mm		CIK G SKIPPER 24JAN05	NAME MALE ASSEMBLY, Z-PACK 2mm HM, TYPE C	
TOLERANCES UNLESS OTHERWISE SPECIFIED:		APVD G SKIPPER 24JAN05	PRODUCT SPEC 108-19082	
0-PLC ±		APPLICATION SPEC 114-19029		
1-PLC ± 0.2		SIZE A1		
2-PLC ± 0.02		CAGE CODE 00779		
3-PLC ± 0.005		DRAWING NO. 106081		
4-PLC ± 0.002		RESTRICTED TO		
ANGLES ± 0.30°		CUSTOMER DRAWING		
MATERIAL 1 SEE TABLE		SCALE 4:1 SHEET 1 OF 2 REV J		

LOC	DIST	REVISIONS					
AD	00	IF	LTR	DESCRIPTION	DATE	DRN	APPRO
		-	-	SEE SHEET 1	-	-	-

- 1 MATERIAL:
CONTACT: PHOSPHOR BRONZE.
HOUSING: GLASS-FILLED POLYESTER.
- 2 GENERAL PLATING SPECIFICATION: UNDERPLATING
(ENTIRE CONTACT): 1.27µm MIN NICKEL AND ACTION
PIN: 0.5µm MIN TIN\LEAD.
FOR PLATING OF MATING SURFACES SEE APPLICABLE
SPECIFICATION REFERENCE FOR EACH DASH NUMBER.
- 3 CONFORMS TO ALL TESTING ACCORDING TO IEC 61076-4-101
PERFORMANCE LEVEL 2.
- 4 CONFORMS TO ALL TESTING ACCORDING TO IEC 61076-4-101
PERFORMANCE LEVEL 1.
- 5 CONNECTOR TESTED AND QUALIFIED AGAINST TELCORDIA GR-1217-CORE QUALITY LEVEL 3,
CENTRAL OFFICE APPLICATIONS.
- 6 CONNECTOR TESTED AND QUALIFIED AGAINST TELCORDIA GR-1217-CORE QUALITY LEVEL 3,
UNCONTROLLED ENVIROMENT APPLICATIONS.
- 7 CONNECTOR MARKED WITH PART NUMBER AND DATE CODE.
ADDITIONAL CHARACTERS OR MARKINGS, AS WELL AS THE LOCATION OF THE MARKINGS,
MAY BE ADDED FOR TRACEABILITY BASED UPON MANUFACTURERS DISCRETION.
- 8 PLATED-THROUGH HOLES AT 2x2mm SQUARE GRID
PATTERN DEFINED BY CONTACT LAYOUT.
- 9 FOR ACTUAL PIN LOADING SEE "CONTACT LAYOUT".
- 10 FOR ACTUAL PIN DIMENSIONS SEE "CONTACT DIMENSIONS".
- 11 TO BE MEASURED AT BOTTOM OF SHROUD.
- 12 LOCATION PEG.
- 13 CONNECTOR LUBRICATED WITH BELCORE APPROVED LUBRICANT,
TECHNICAL REFERENCE: TR-NWT-001217 ISSUE 1, SEP 1992.
- 14 OBSOLETE PARTS: OBSOLETE CIS STREAMLINING PER D.RENAUD/D.SINISI
- 15 0.76µm MIN GOLD PLATING AT MATING SURFACES.

THIS DRAWING IS A CONTROLLED DOCUMENT.		DRN B CARBO 24JAN05	Tyco Electronics Corporation Harrisburg, Pa 17105-3608	
DIMENSIONS: mm		CHK G.SKIPPER 24JAN05	NAME G.SKIPPER 24JAN05	
TOLERANCES UNLESS OTHERWISE SPECIFIED: 0-PLC ± 1-PLC ±0.2 2-PLC ±0.02 3-PLC ±0.005 4-PLC ± ANGLES ±0.30°		PRODUCT SPEC 108-19082	MALE ASSEMBLY, Z-PACK 2mm HM, TYPE C	
MATERIAL SEE SHEET 1		APPLICATION SPEC 114-19029	SIZE A1	RESTRICTED TO -
FINISH SEE SHEET 1		WEIGHT -	CAGE CODE 00779	DRAWING NO 106081
		CUSTOMER DRAWING		SCALE 4:1 SHEET 2 OF 2 REV J