

THIS DRAWING IS UNPUBLISHED. RELEASED FOR PUBLICATION MAY, 1989.
 © COPYRIGHT 1989 By - ALL RIGHTS RESERVED.

LOC	DIST	REVISIONS					
		P	LTR	DESCRIPTION	DATE	DWN	APVD
J		B2		REVISED PER ECO-11-005033	25MAR11	RK	HMR

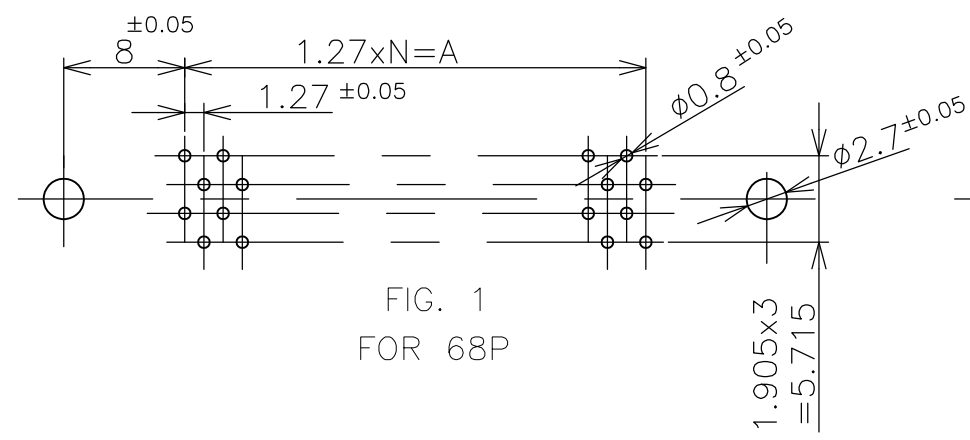
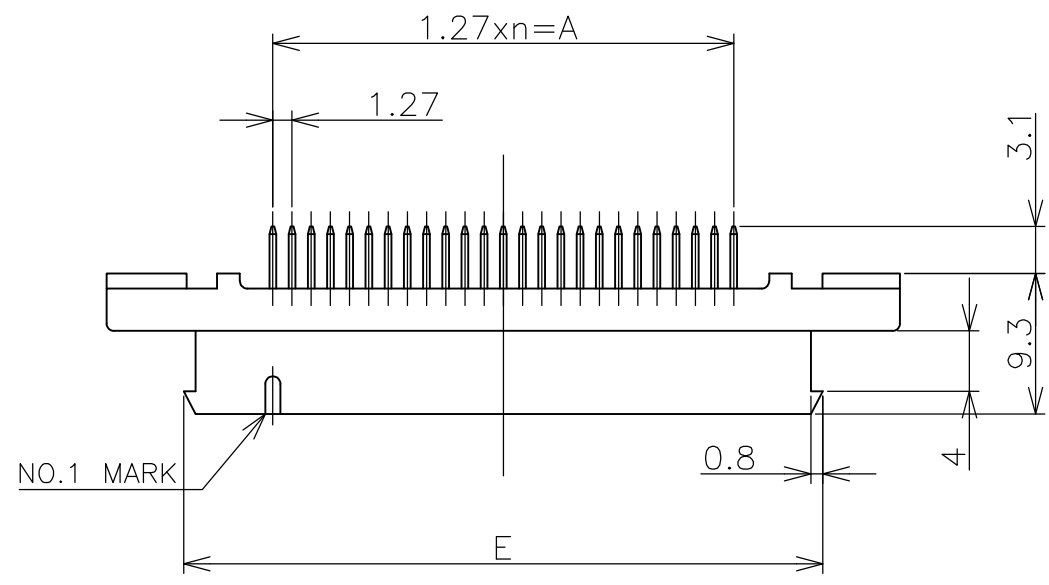


FIG. 1 FOR 68P

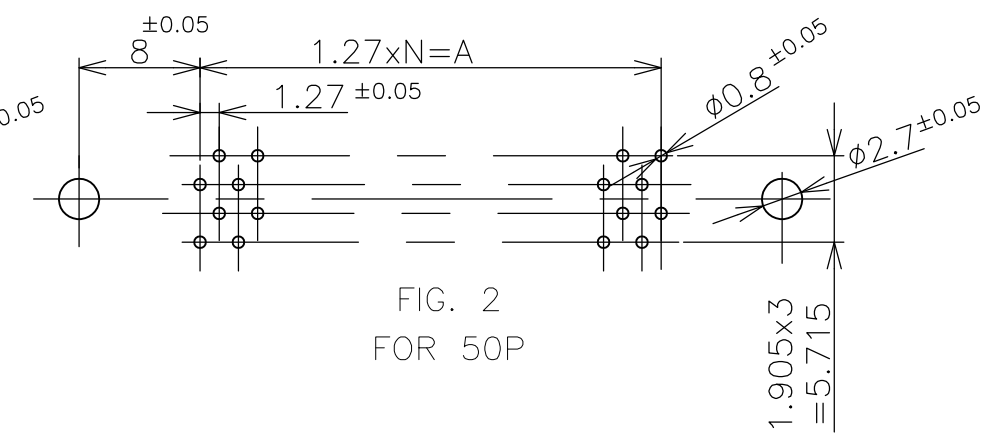
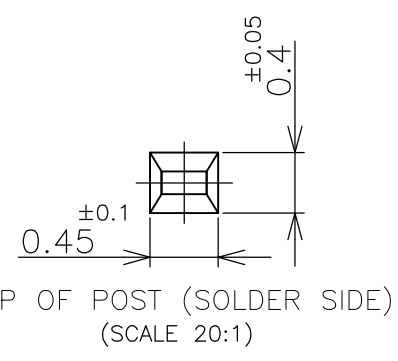
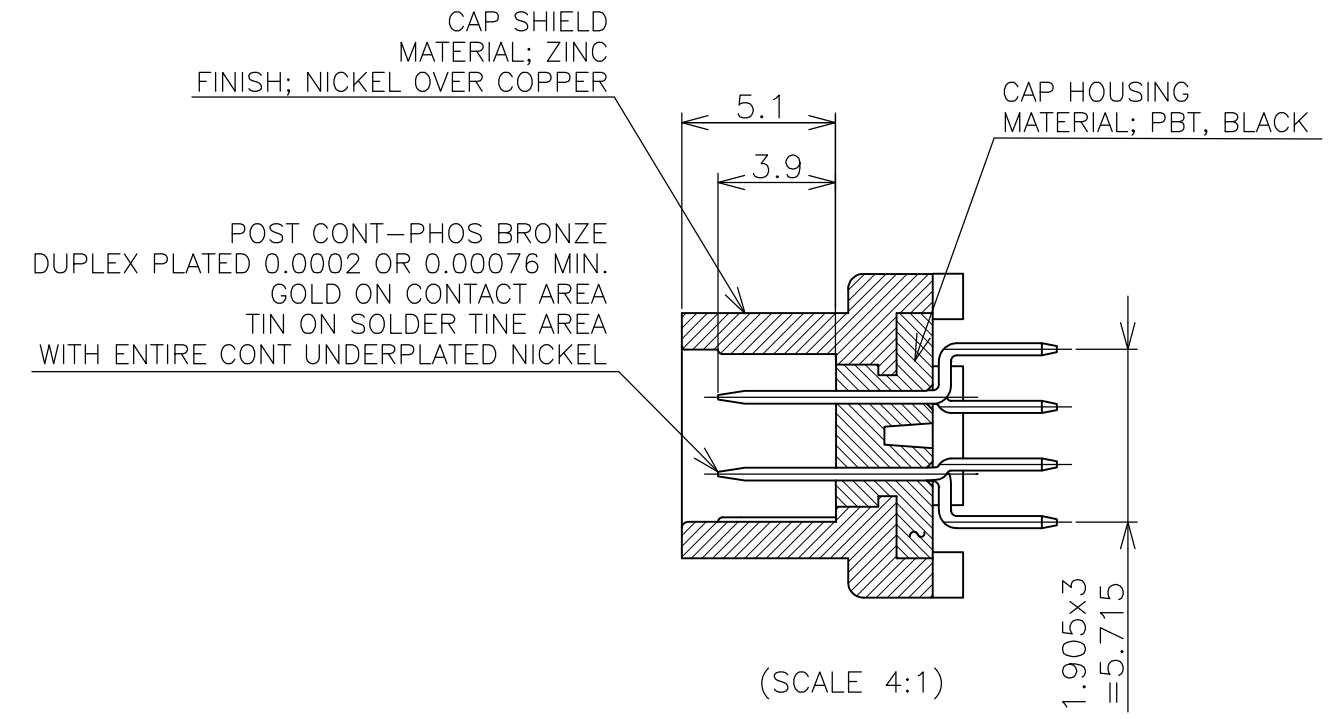
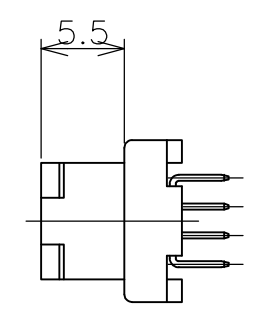
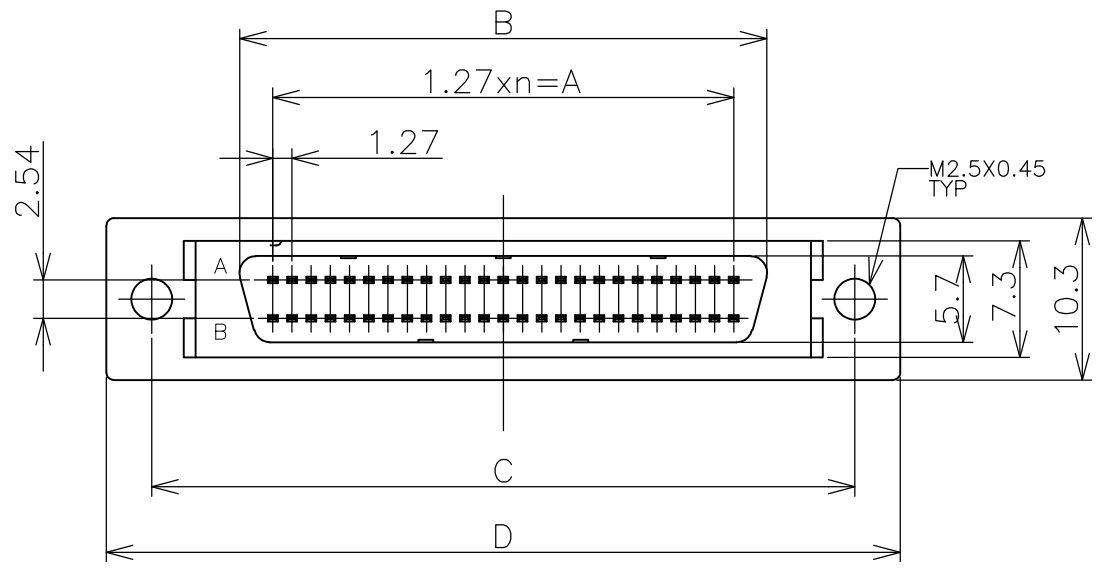


FIG. 2 FOR 50P



- 1 P.C BOARD HOLE LAY-OUT AS SHOWN FIG.1 & 2.
- 2 USED SCREW; M2.5x0.45 PANHEAD SCREW.

GENERAL TOLERANCE 10 ≥ : ±0.2 30 ≥ > 10: ±0.25 100 ≥ > 30: ±0.3 ANGLES: ±3°	68	33	41.91	46.28	57.9	63.9	53.71	0.00076 MIN	2-5174339-5
	50	24	30.48	34.85	46.5	52.5	42.28		2-5174339-4
	68	33	41.91	46.28	57.9	63.9	53.71	0.0002 MIN	5174339-5
	50	24	30.48	34.85	46.5	52.5	42.28		5174339-4
	POS	N	A	B	C	D	E	GOLD THK	PART NO.

THIS DRAWING IS A CONTROLLED DOCUMENT.		DWN Roy hao 17Aug04	TE Connectivity CAP HEADER (VERTICAL/M2.5) AMPLIMITE .050 SERIES II CONN. TYPE B				
DIMENSIONS: mm		CHK Steven Yao 17Aug04					
TOLERANCES UNLESS OTHERWISE SPECIFIED:		APVD I.Enomoto 17Aug04					
0 PLC ± - 1 PLC ± - 2 PLC ± - 3 PLC ± - 4 PLC ± - ANGLES ± - FINISH ± -		NAME 108-60037-1					
MATERIAL SEE ABOVE	SEE ABOVE	PRODUCT SPEC 108-60037-1	APPLICATION SPEC	SIZE A3	CAGE CODE 00779	DRAWING NO C-5174339	RESTRICTED TO
CUSTOMER DRAWING			SCALE 1:1	SHEET 1 OF 1	REV B2		