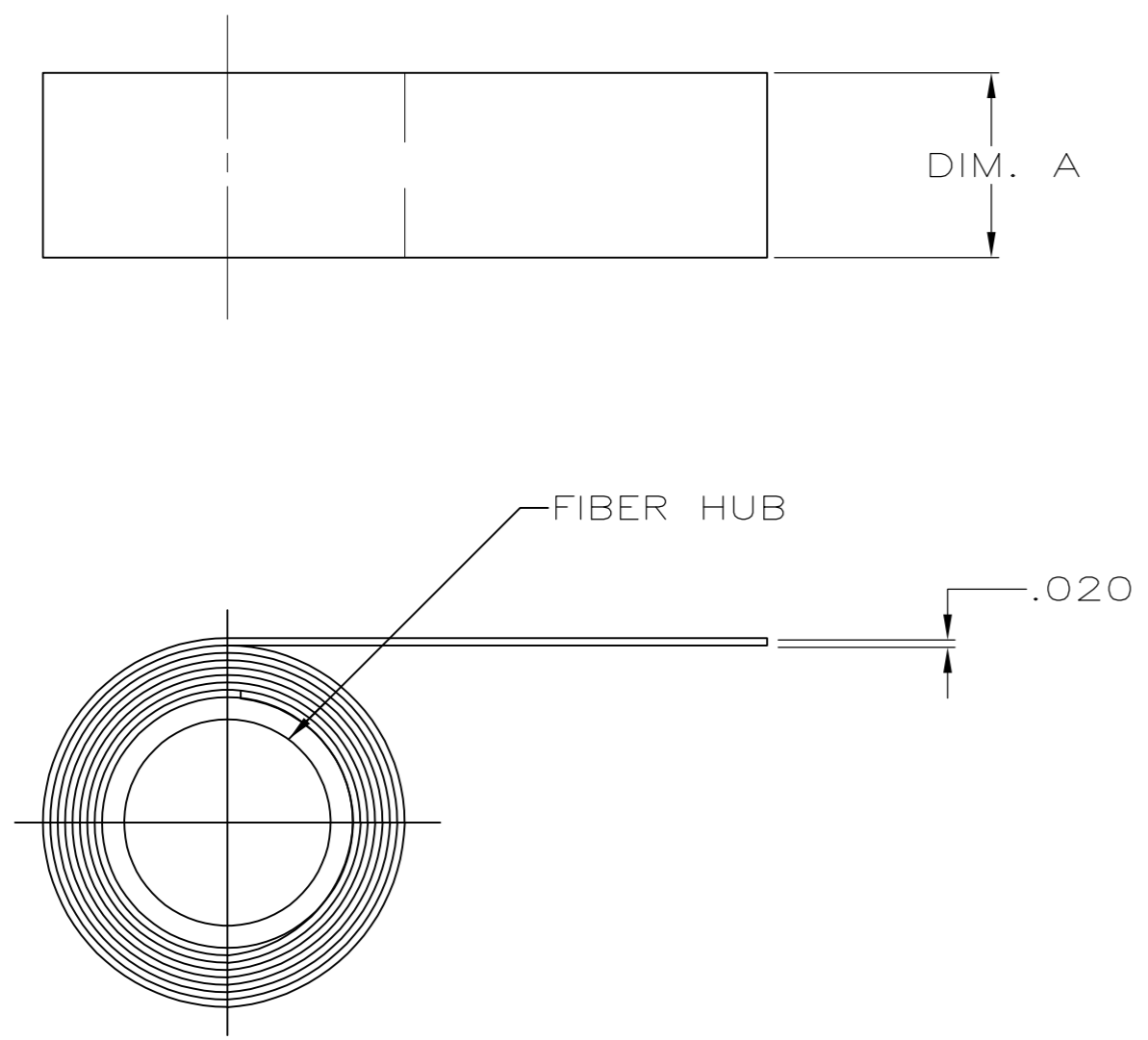


THIS DRAWING IS UNPUBLISHED. RELEASED FOR PUBLICATION
 © COPYRIGHT BY TYCO ELECTRONICS CORPORATION. ALL INTERNATIONAL RIGHTS RESERVED.

LOC	DIST	REVISIONS			
P	LTR	DESCRIPTION	DATE	DWN	APVD
EY	25	A	DRAWN	-	-

- 1 MATERIAL: POLYISOBUTYLENE SELF-AMALGAMATING TAPE, BLACK, .020 THICK.
- 2 SELF AMALGAMATING MATERIAL HAS A 5 YEAR SHELF LIFE, WHICH BEGINS THE DAY MADE. USE AFTER EXPIRATION CONSIDERABLY IMPEDES ITS ABILITY TO FUSE.



9.15M [30 FEET]	38.1 [1.50]	605980-3
9.15M [30 FEET]	25.4 [1.00]	605980-2
9.15M [30 FEET]	19.1 [0.75]	605980-1
LENGTH / ROLL	DIM A	PART NO.

THIS DRAWING IS A CONTROLLED DOCUMENT.		DWN	JR RUTH	29APR10	Tyco Electronics Corporation	
DIMENSIONS: MM [INCHES]		CHK	TOM MICHELUTTI	29APR10	Harrisburg, PA 17105-3608	
TOLERANCES UNLESS OTHERWISE SPECIFIED:		APVD	TOM MICHELUTTI	29APR10	NAME	
0 PLC ± -		PRODUCT SPEC		TAPE, COLD SHRINK		
1 PLC ± -		APPLICATION SPEC		-		
2 PLC ± -		WEIGHT		-		
3 PLC ± -		SIZE		A2		
4 PLC ± -		CAGE CODE		00779		
ANGLES ± -		DRAWING NO		C=605980		
FINISH		RESTRICTED TO		-		
MATERIAL		SCALE		NONE		
-		SHEET		1 of 1		
-		REV		A		

605980

PRELIMINARY