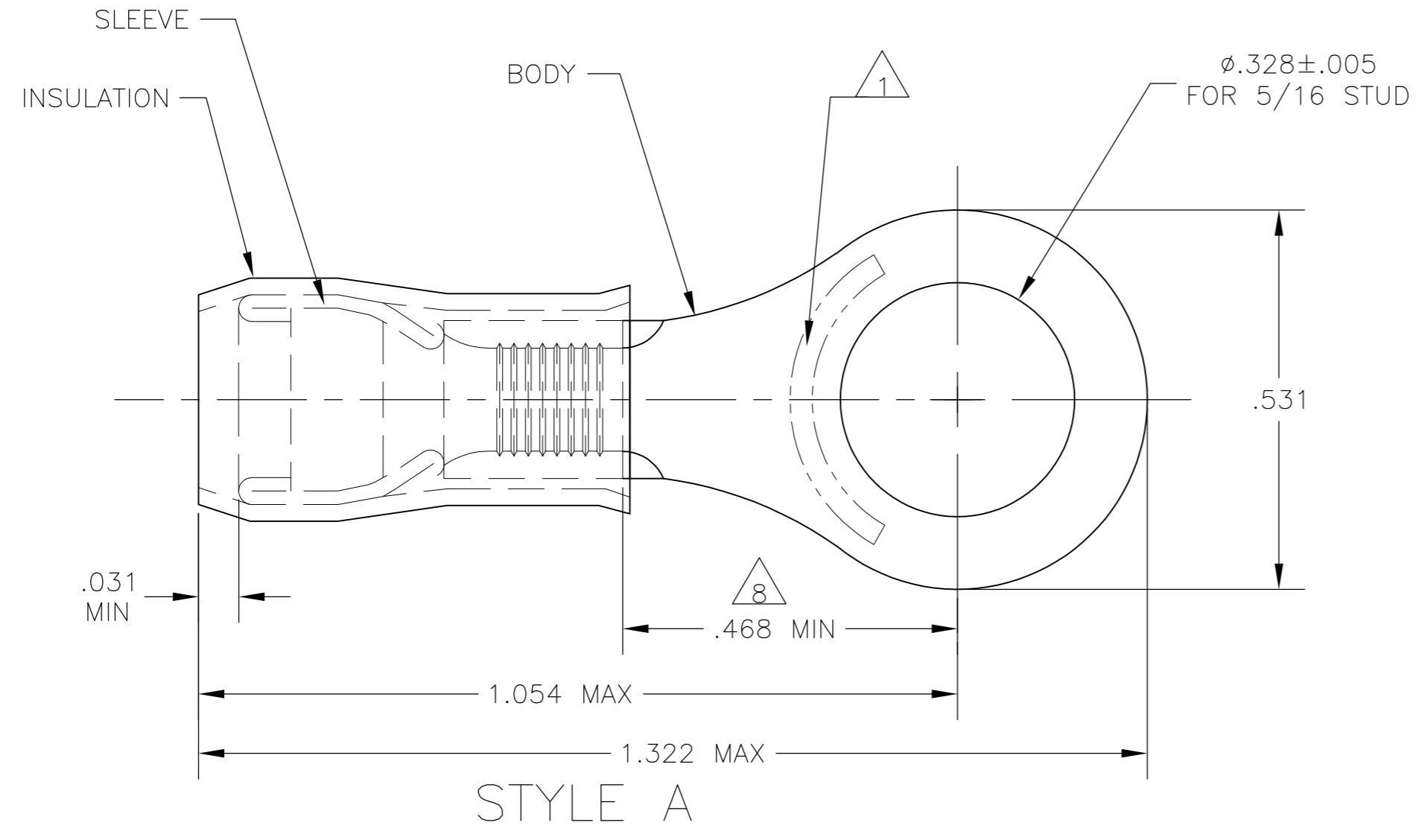


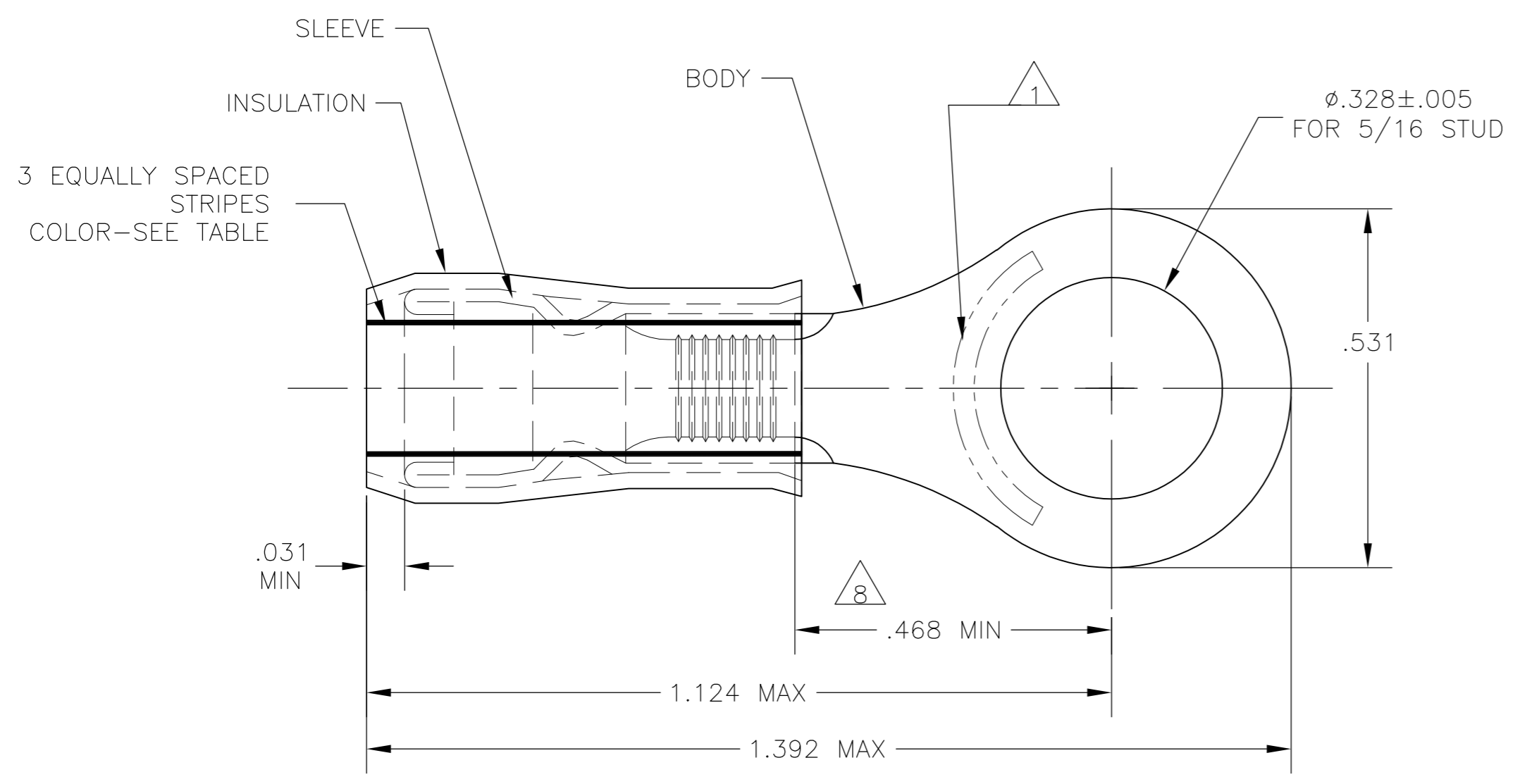
THIS DRAWING IS UNPUBLISHED. RELEASED FOR PUBLICATION
 © COPYRIGHT - By - ALL RIGHTS RESERVED.

LOC		DIST		REVISIONS			
P	LTR	DESCRIPTION		DATE	DWN	APVD	
G	14	U	REVISED PER ECO-14-015277	21FEB2015	NK	DR	



STYLE A

- 1 STAMP "AMP - SEE TABLE" APPROX AS SHOWN.
- 2 WIRE INSULATION DIA: SEE TABLE.
- 3 TONGUE MATERIAL THK: .040±.002.
- 4 BODY: TIN PLATE .000100 MIN EXT THK PER ASTM B545.
- 5 SLEEVE: TIN PLATE .000100 MIN EXT THK PER ASTM B545.
- 6 SLEEVE: NICKEL PLATE PER QQ-N-290.
- 7 BODY & SLEEVE- CU PER ASTM B152 INSULATION - NYLON PER ASTM D4066 COLOR - YELLOW.
- 8 APPLIES FROM EDGE OF METAL WIRE BARREL TO CENTER OF STUD HOLE.
- 9 MEETS MS25036-113, CLASS 1 & 2.
- 10 MEETS MS25036-113, CLASS 2.
- 11 MEETS M7928/1-60, CLASS 1 & 2.
- 12 MEETS M7928/1-67, CLASS 1 & 2.



STYLE B
INSULATION RESTRICTING

QTY	PACKAGE TYPE	STAMPING	WIRE INSUL DIA	WIRE SIZE	STRIPE COLOR	STYLE	BODY FINISH	SLEEVE FINISH	PART NO
50	LOOSE PIECE, BOX	12-10	.150-.230	12-10	--	A		6	8-320576-2
---	LOOSE PIECE	10	.119-.200	10	BROWN	B	4	6	2-320576-3
---	LOOSE PIECE	12	.095-.200	12	YELLOW	B		6	2-320576-2
2500	ON TAPE & REEL	12-10	.150-.230	12-10	--	A		5	2-320576-1
---	LOOSE PIECE	12-10	.150-.230	12-10	--	A		5	320576

CUSTOMER SERVICE SYSTEMS		MAX RECOMMENDED OPERATING TEMPERATURE: 105°C MAX	THIS DRAWING IS A CONTROLLED DOCUMENT.		DWN JR RUTH 23DEC09	TE TE Connectivity	
FOR ADDITIONAL PRODUCT INFORMATION OR COPIES OF DRAWINGS AND TECHNICAL DOCUMENTS	PRODUCT INFORMATION CENTER 1-800-522-6752	VOLTAGE RATING: 300 VOLT MAX	DIMENSIONS: INCHES	TOLERANCES UNLESS OTHERWISE SPECIFIED: 0 PLC ± - 1 PLC ± - 2 PLC ± - 3 PLC ± .008 4 PLC ± -	CHK T MICHIELUTTI 23DEC09	NAME TERMINAL, RING TONGUE, PIDG WIRE SIZE: 12-10 AWG	
FOR APPLICATION TOOLING INFORMATION	TOOLING ASSISTANCE CENTER 1-800-722-1111	CIRCULAR MIL AREA: 2.62-6.64mm² [5,180-13,100] STRANDED OR SOLID		MATERIAL	APVD T MICHIELUTTI 23DEC09	SIZE A2	CAGE CODE 00779
FOR ORDER ENTRY	1-800-526-5142			FINISH	PRODUCT SPEC -	DRAWING NO C=320576	RESTRICTED TO -
				CUSTOMER DRAWING	WEIGHT -	SCALE 5:1	SHEET 1 of 1
					REV U		