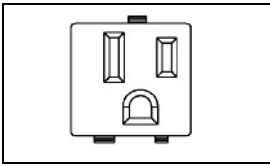


1445199-3 Product Details

[Share](#) [Print](#) [Email](#)



1445199-3

TE Internal Number: 1445199-3

Active

[View 3D PDF](#)

Convenience Outlets

Always EU RoHS/ELV Compliant (Statement of Compliance)

Product Highlights:

- Panel Mount Housing Configuration
- Color = Black
- Amperes = 20.0 A
- Wire Size = 12-14 Solid mm² [AWG]
- Nylon Housing Material

[View all Features](#)

Quick Links

- ▶ [Pricing & Availability](#)
- ▶ [Search for Tooling](#)
- ▶ [Product Feature Selector](#)
- ▶ [Contact Us About This Product](#)

[Add to My Part List](#) [Request Sample](#) [Find Similar Products](#) [Buy Product](#)

Documentation & Additional Information

Product Drawings:

- [20A CONVENIENCE OUTLET ASSEMBLY KIT, WITH COVER \(PDF, English\)](#)

Catalog Pages/Data Sheets:

- None Available

Product Specifications:

- None Available

Application Specifications:

- None Available

Instruction Sheets:

- [Convenience Outlet 1445199-\[\] \(PDF, English\)](#)

CAD Files: [\(CAD Format & Compression Information\)](#)

- [2D Drawing \(DXF, Version D\)](#)
- [3D Model \(IGES, Version D\)](#)
- [3D Model \(STEP, Version D\)](#)

[List all Documents](#)

Additional Information:

- [Product Line Information](#)

Related Products:

- [Tooling](#)

Product Features (Please use the Product Drawing for all design activity)

Product Type Features:

- Color = Black
- Wire Size (mm² [AWG]) = 12-14 Solid

Electrical Characteristics:

- Amperes (A) = 20.0

Contact Features:

- Contact Base Material = Brass

Housing Features:

- Housing Material = Nylon

Configuration Features:

- [Housing Configuration](#) = Panel Mount

Industry Standards:

- [RoHS/ELV Compliance](#) = RoHS compliant, ELV compliant
- [Lead Free Solder Processes](#) = Not relevant for lead free process
- [RoHS/ELV Compliance History](#) = Always was RoHS compliant

Other:

- Brand = AMP
- Comment = Accepts 15A plug only

Corporate Information

- [About TE](#)
- [Investors](#)
- [News Room](#)
- [Supplier Portal](#)
- [Careers](#)
- [Terms & Conditions](#)
- [Privacy Policy](#)

Quick Links

- [Distributor Inventory](#)
- [Product Cross Reference](#)
- [Documents & Drawings](#)
- [Product Compliance Support Center](#)
- [Site Map](#)

Customer Support

- [Email or Chat With Us](#)
- [Find a Phone Number](#)
- [Knowledge Base](#)
- [Manage Your Account](#)

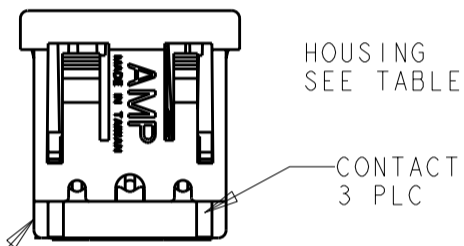
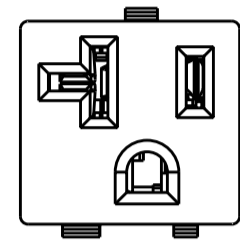
Keep Me Informed



THIS DRAWING IS UNPUBLISHED. RELEASED FOR PUBLICATION 20
 © COPYRIGHT 20 BY - ALL RIGHTS RESERVED.

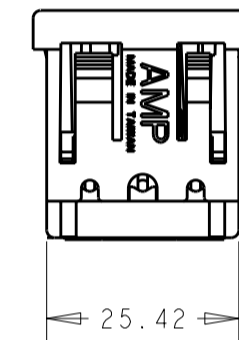
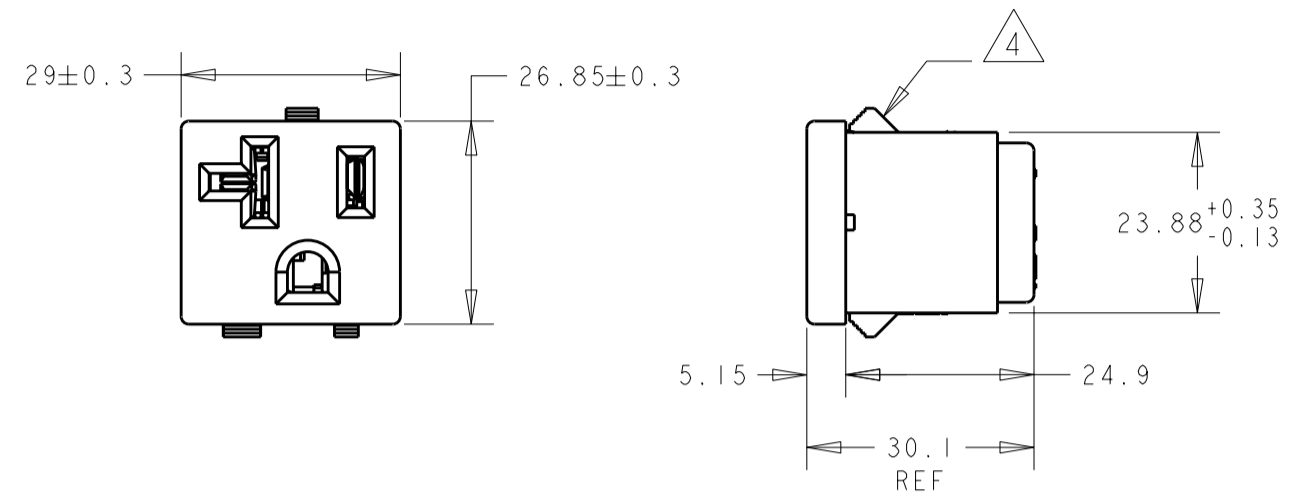
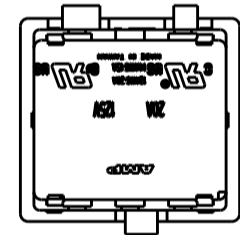
- MATERIAL, HOUSING: NYLON, COLOR - SEE TABLE.
COVER: NYLON, BLACK.
CONTACTS: BRASS.
- CONTACTS TO ACCEPT 12 AWG AND 14 AWG SOLID COPPER WIRE.

- 3 COVER PACKAGED UNASSEMBLED.
- 4 SNAP IN FEATURE ACCOMODATES 0.76-1.78 PANEL THICKNESS ONLY.

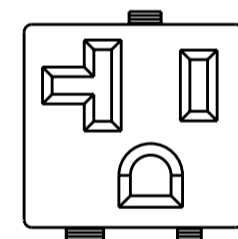


3 COVER

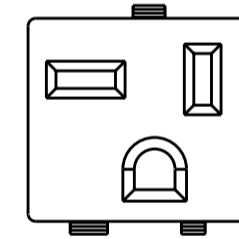
HOUSING
SEE TABLE
CONTACT
3 PLC



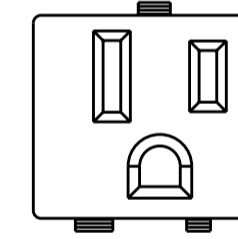
ASSEMBLED VIEW



TYPE A
15/20 A



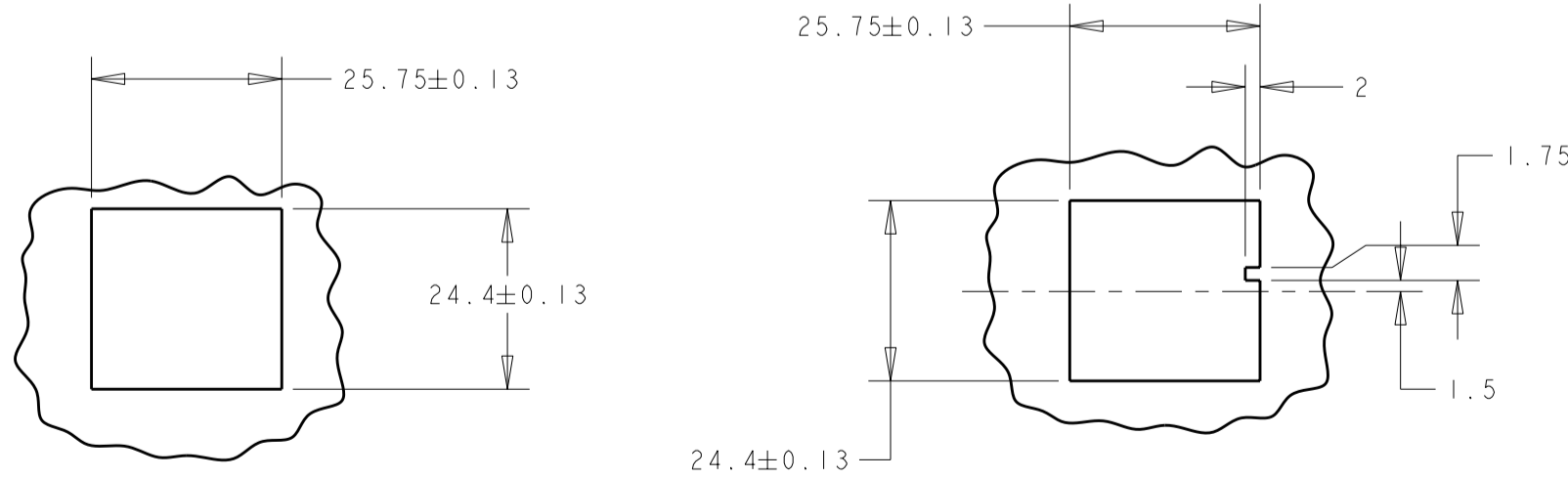
TYPE B
20 A ONLY



TYPE C
15 A ONLY

INTERFACE TYPE

PRELIMINARY - NOT FOR PRODUCTION	ORANGE	C	1445199-9
PRELIMINARY - NOT FOR PRODUCTION	ORANGE	B	1445199-8
	ORANGE	A	1445199-7
PRELIMINARY - NOT FOR PRODUCTION	BLUE	A	1445199-6
PRELIMINARY - NOT FOR PRODUCTION	RED	A	1445199-5
	GREY	A	1445199-4
	BLACK	C	1445199-3
	BLACK	B	1445199-2
	BLACK	A	1445199-1
	ASSEMBLY COLOR	ASSEMBLY TYPE	PART NUMBER



RECOMMENDED PANEL CUTOUT
WITHOUT ORIENTATION FEATURE

RECOMMENDED PANEL CUTOUT
WITH ORIENTATION FEATURE

THIS DRAWING IS A CONTROLLED DOCUMENT.

DIMENSIONS: mm	TOLERANCES UNLESS OTHERWISE SPECIFIED: 0 PLC ± 1 PLC ± 2 PLC ±.13 3 PLC ±.13 4 PLC ± ANGLES ± FINISH	DWN B. HAYMAKER 15NOV2000 CHK K. KETELSIEGER 15NOV2000 APVD K. KETELSIEGER 15NOV2000	TE Connectivity
MATERIAL		PRODUCT SPEC APPLICATION SPEC	NAME 20A CONVENIENCE OUTLET ASSEMBLY KIT, WITH COVER
		WEIGHT	SIZE A200779
		CUSTOMER DRAWING	DRAWING NO 1445199
			RESTRICTED TO
			SHEET OF REV D2