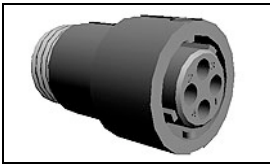


1445390-1 Product Details

[Share](#) [Print](#) [Email](#)



1445390-1

TE Internal Number: 1445390-1

Active

[View 3D PDF](#)

Miniature CPC (Circular Plastic Connector)

Always EU RoHS/ELV Compliant (Statement of Compliance)

Product Highlights:

- Connector
- Connector Style = Plug
- Shell Size = 8
- 4 Positions
- Accepts Wire Insulation Diameter, Range = .89 - 1.50 mm

[View all Features](#)

Quick Links

- ▶ [Pricing & Availability](#)
- ▶ [Search for Tooling](#)
- ▶ [View Mating Products \(4\)](#)
- ▶ [View Contacts \(48\)](#)
- ▶ [Product Feature Selector](#)
- ▶ [Contact Us About This Product](#)

[Add to My Part List](#) [Request Sample](#) [Find Similar Products](#) [Buy Product](#)

Documentation & Additional Information

Product Drawings:

- [ASSEMBLY, PLUG, SIZE 8 4 POSITION, SEALED, MINI CPC](#) (PDF, English)

Catalog Pages/Data Sheets:

- [AMP Circular Connectors for Commercial Signal & Powe...](#) (PDF, English)

Product Specifications:

- None Available

Application Specifications:

- [Miniature Circular Plastic Connector \(CPC\)](#) (PDF, English)

Instruction Sheets:

- None Available

CAD Files: (CAD Format & Compression Information)

- [2D Drawing](#) (DXF, Version C1)
- [3D Model](#) (IGES, Version C1)
- [3D Model](#) (STEP, Version C1)

[List all Documents](#)

Additional Information:

- [Product Line Information](#)

Related Products:

- [Tooling](#)
- [Mating Products \(4\)](#)
- [Contacts \(48\)](#)

Product Features (Please use the Product Drawing for all design activity)

Product Type Features:

- Product Type = Connector
- Shell Size = 8

Housing Features:

- Connector Style = Plug
- Housing Material = Thermoplastic - GF
- Housing Color = Black

Configuration Features:

- Number of Positions = 4

Industry Standards:

- [RoHS/ELV Compliance](#) = RoHS compliant, ELV compliant
- [Lead Free Solder Processes](#) = Not reviewed for lead free solder process
- [RoHS/ELV Compliance History](#) = Always was RoHS compliant

Conditions for Usage:

- [Accepts Wire Insulation Diameter, Range \(mm \[in\]\)](#) = 0.89 - 1.50 [0.035 - 0.059]

Other:

- Brand = TE Connectivity

Corporate Information

- [About TE](#)
- [Investors](#)
- [News Room](#)
- [Supplier Portal](#)
- [Careers](#)
- [Terms & Conditions](#)
- [Privacy Policy](#)

Quick Links

- [Distributor Inventory](#)
- [Product Cross Reference](#)
- [Documents & Drawings](#)
- [Product Compliance Support Center](#)
- [Site Map](#)

Customer Support

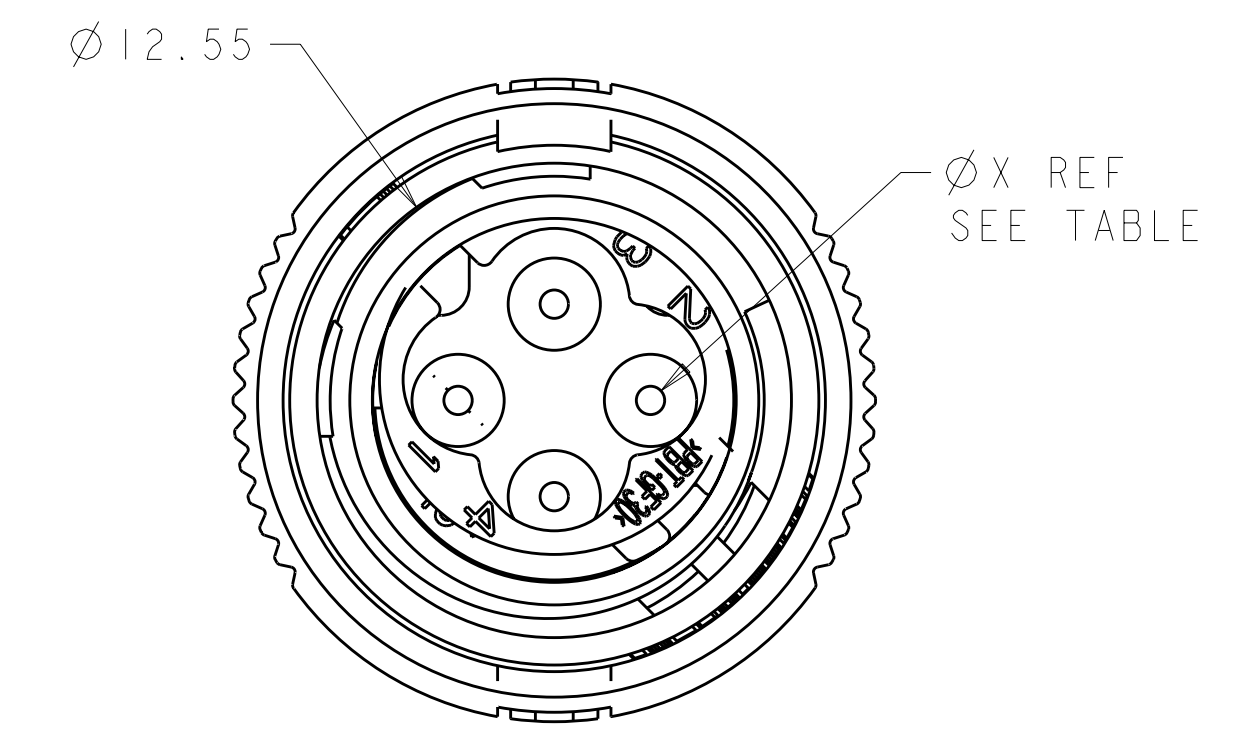
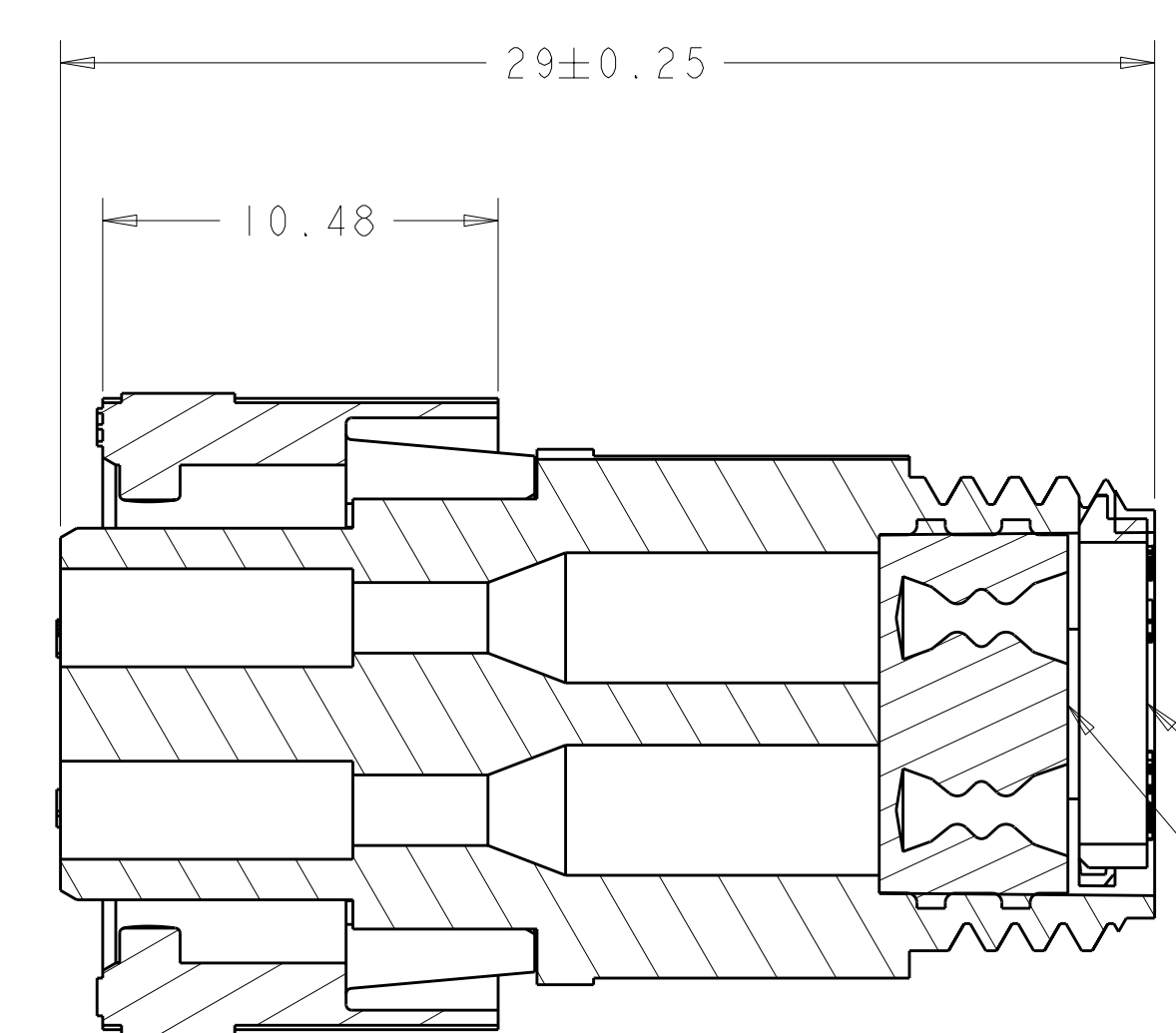
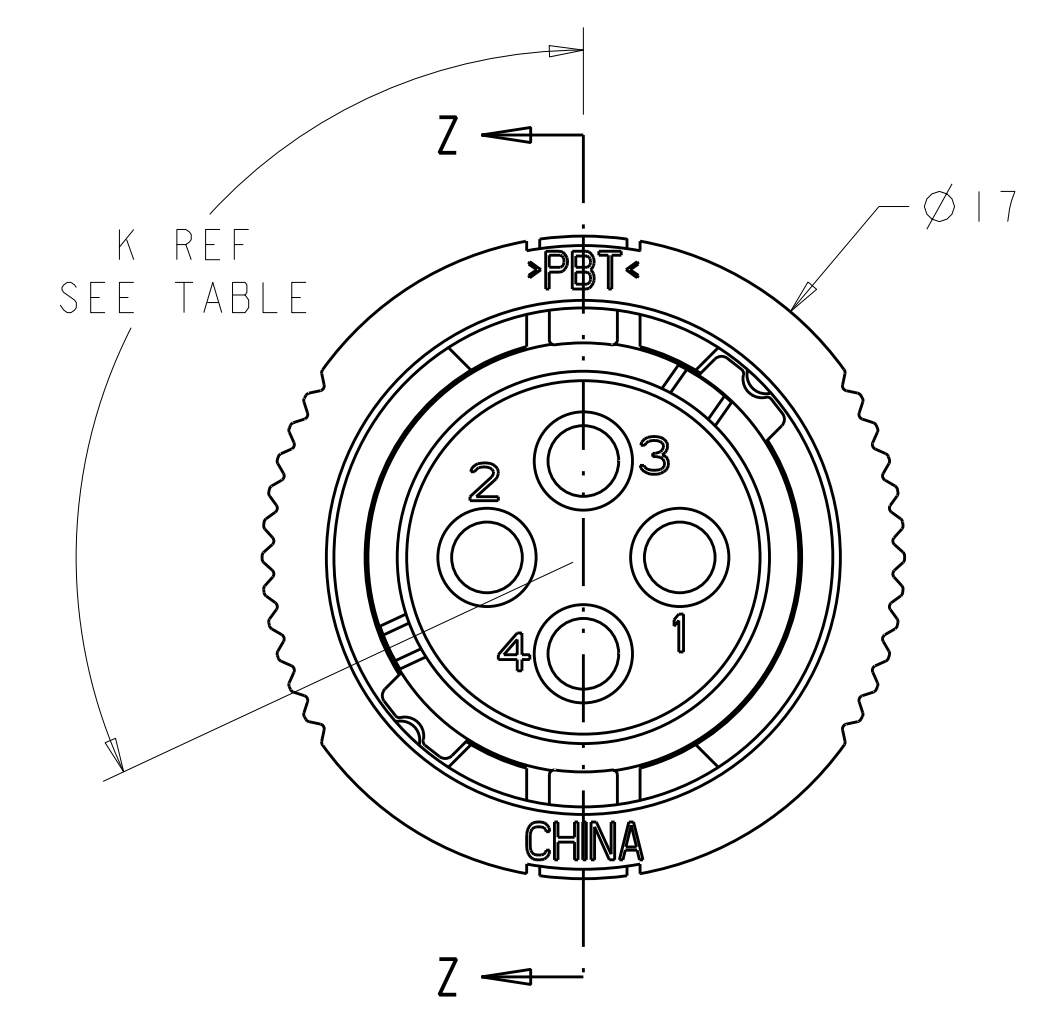
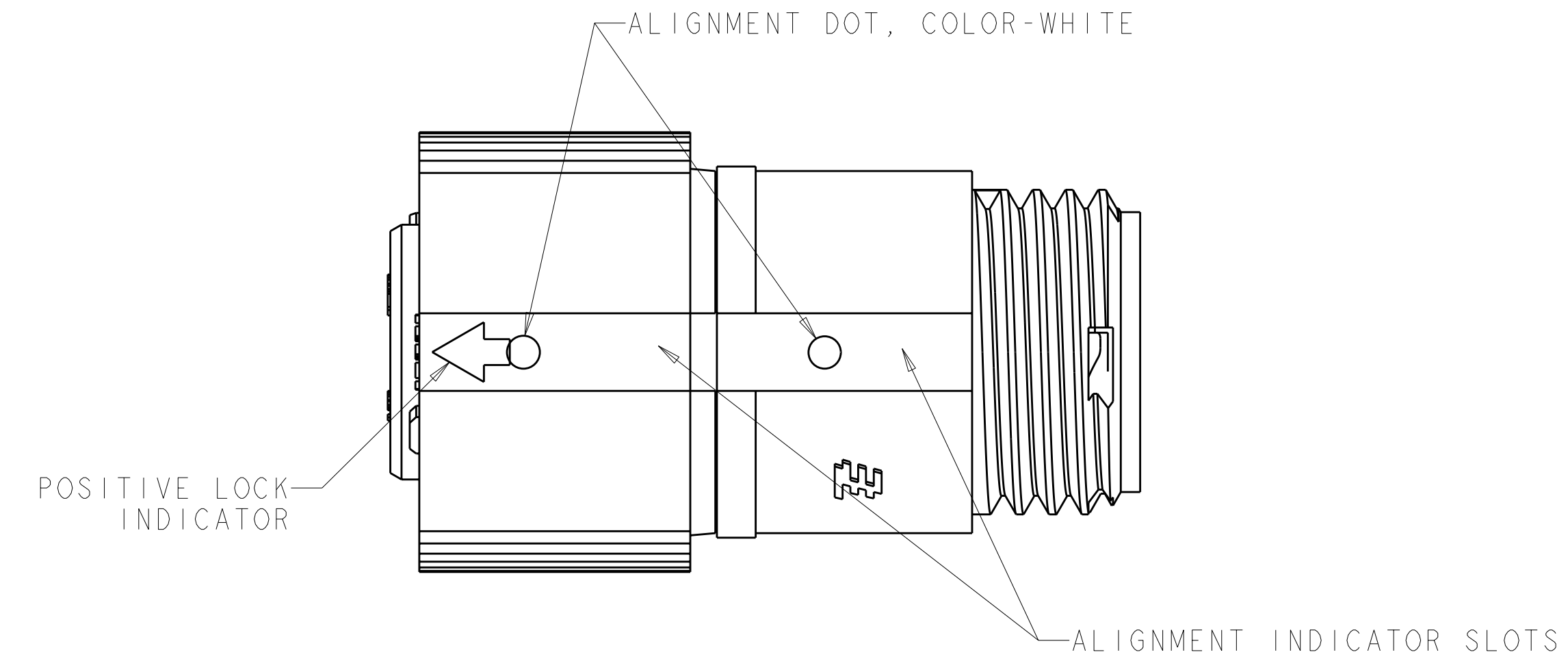
- [Email or Chat With Us](#)
- [Find a Phone Number](#)
- [Knowledge Base](#)
- [Manage Your Account](#)



Keep Me Informed

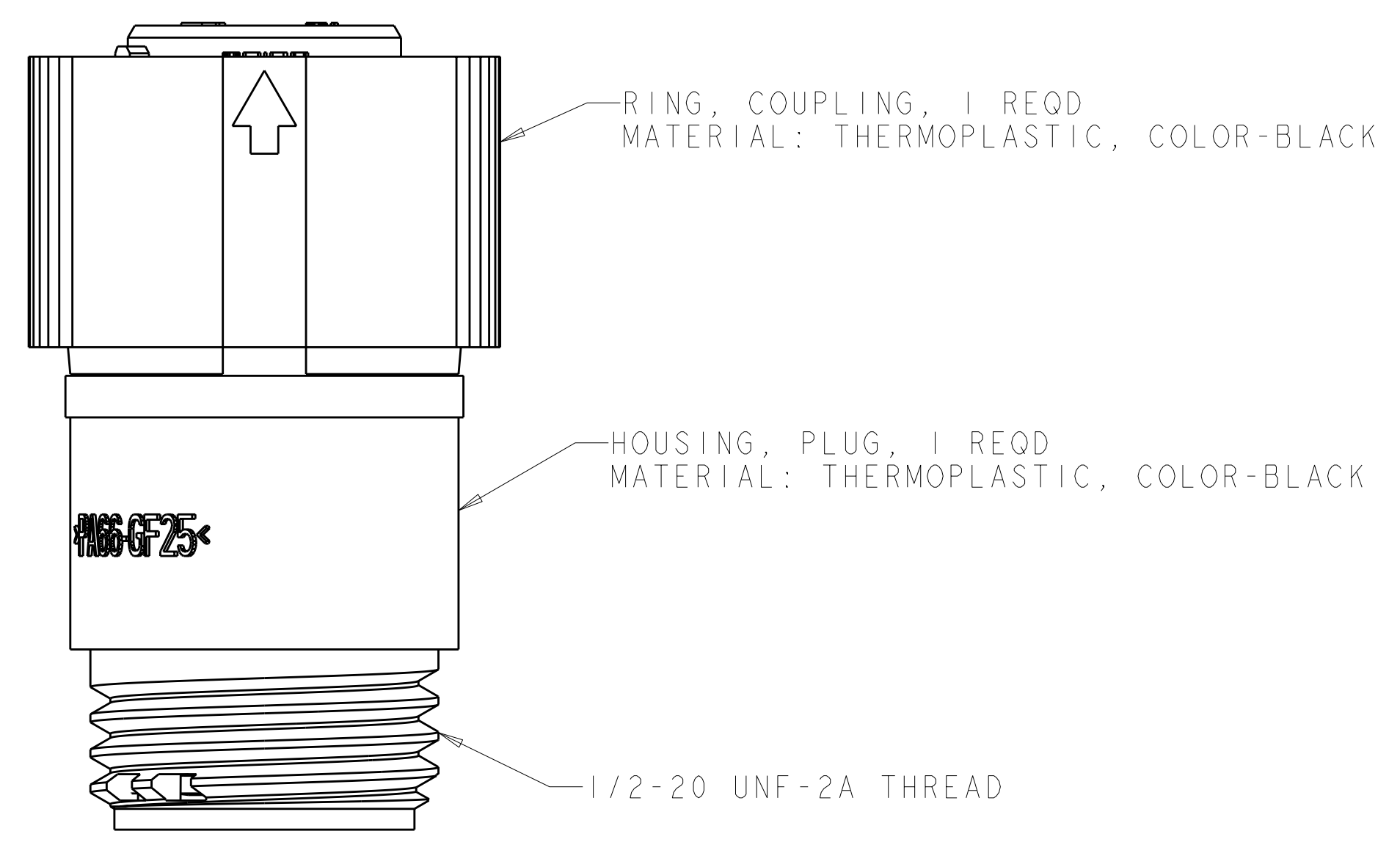


LOC	DIST	REVISIONS			
REV	DATE	DESCRIPTION	DATE	DWN	APVD
FT	0				
B2		REVISED PER ECO-11-004917	12MAR2011	RK	HMR



RETAINER, SEAL, 1 REQD
 MATERIAL: THERMOPLASTIC, COLOR-BLACK

SEAL, WIRE ENTRY, 1 REQD
 MATERIAL: ELASTOMER, COLOR-SEE TABLE



QUALIFICATION TEST PENDING

YELLOW	Ø0.75	130°	1445390-04
NATURAL	Ø1.5	115°	1445390-03
NATURAL	Ø1.5	130°	1445390-02
YELLOW	Ø0.75	115°	1445390-01
SEAL, WIRE ENTRY COLOR	ØX REF	K REF	PART NUMBER

THIS DRAWING IS A CONTROLLED DOCUMENT.

DWN: S. DOUTY 01MAR2001
 CHK: H. WAKEEM 12JUN2003
 APVD: H. WAKEEM 12JUN2003

TE Connectivity

NAME: ASSEMBLY, PLUG, SIZE 8
 4 POSITION, SEALED, MINI CPC

SIZE: A100779 C=1445390

SCALE: 5:1 SHEET: 1 OF 1 REV: B2