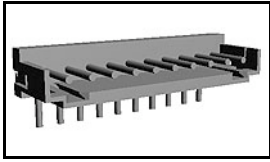


292253-7 Product Details

[Share](#) [Print](#) [Email](#)




292253-7

TE Internal Number: 292253-7

 Active

[View 3D PDF](#)

2mm AMP CT Connectors

 Always EU RoHS/ELV Compliant
(Statement of Compliance)

Product Highlights:

- Wire-to-Board
- Applies To Printed Circuit Board
- Connector
- Header
- Header Type = Partially Shrouded

[View all Features](#)

Quick Links

- ▶ [Pricing & Availability](#)
- ▶ [Search for Tooling](#)
- ▶ [View Mating Products \(3\)](#)
- ▶ [Product Feature Selector](#)
- ▶ [Contact Us About This Product](#)

[Add to My Part List](#)

[Request Sample](#)

[Find Similar Products](#)

[Buy Product](#)

Documentation & Additional Information

Product Drawings:

- [POST HEADER ASS'Y HORIZONTAL TYPE \(AMP CT CONNECTOR ...\)](#) (PDF, English)

Catalog Pages/Data Sheets:

- [2.0MM_AMP_CT_CONNECTOR_SERIES_QUICK_REF_GUIDE](#) (PDF, English)

Product Specifications:

- None Available

Application Specifications:

- None Available

Instruction Sheets:

- None Available

CAD Files: [\(CAD Format & Compression Information\)](#)

- [2D Drawing](#) (DXF, Version 0)
- [3D Model](#) (IGES, Version 0)
- [3D Model](#) (STEP, Version 0)

[List all Documents](#)

Additional Product Images:

- [Typical Application](#)

Related Products:

- [Tooling](#)
- [Mating Products \(3\)](#)

Product Features (Please use the Product Drawing for all design activity)

Product Type Features:

- [Product Type](#) = Connector
- Connector Type = Header
- Termination Method to PC Board = Through Hole - Solder
- PCB Mounting Orientation = Right Angle
- PCB Mount Alignment = Without
- [PCB Mount Retention](#) = With
- PCB Mount Retention Type = Kinked Leg(s)
- Shrouded = Yes - Partial
- Sealed = No
- UL File Number = E28476
- CSA File Number = LR 7189

Electrical Characteristics:

- Contact - Rated Current (A) = 4

Housing Features:

- Connector Style = Plug
- Centerline (mm [in]) = 2.00 [0.079]
- Housing Color = Natural
- UL Flammability Rating = UL 94V-0

Configuration Features:

- [Number of Positions](#) = 7
- [Number of Rows](#) = 1

Industry Standards:

- [RoHS/ELV Compliance](#) = RoHS compliant, ELV compliant
- [Lead Free Solder Processes](#) = Wave solder capable to 260°C, Wave solder capable to 240°C, Wave solder capable to 265°C
- RoHS/ELV Compliance History = Always was RoHS

- Operating Voltage Reference = AC/DC, AC, DC
- Operating Voltage (VAC) = 125
- Operating Voltage (VDC) = 125

Termination Features:

- Wire/Cable Size (AWG) = 22 - 28
- Tail Orientation = In-line
- Tail Length (mm [in]) = 3.2 [0.126]

Dimensions:

- Mating Post Length (mm [in]) = 4.50 [0.177]
- PCB Thickness, Recommended (mm [in]) = 0.80 - 1.60 [0.031 - 0.063]
- Length (X-Axis) (mm [in]) = 15.80 [0.622]
- Width (Z-Axis) (mm [in]) = 4.00 [0.157]
- Profile Height (Y-Axis) (mm [in]) = 8.80 [0.346]

Body Features:

- Header Type = Partially Shrouded
- Mating Retention = Without

Contact Features:

- Contact Type = Pin
- Contact Plating, Mating Area, Material = Tin
- Contact Plating, Mating Area, Thickness (μm [μin]) = 1 [39.37]
- Contact Plating, Termination Area, Material = Tin
- Contact Plating, Termination Area, Thickness (μm [μin]) = 1 [40]

- compliant
- Agency/Standard = CSA, UL

Environmental:

- Operating Temperature ($^{\circ}\text{C}$ [$^{\circ}\text{F}$]) = -40 - +105 [-40 - +221]

Conditions for Usage:

- Applies To = Printed Circuit Board

Operation/Application:

- Application Use = Wire-to-Board
- Contact Transmits (Typical Application) = Signal (Data)
- Pick and Place Cover = Without

Packaging Features:

- Packaging Method = Bag, Box

Other:

- Brand = AMP

Corporate Information

- [About TE](#)
- [Investors](#)
- [News Room](#)
- [Supplier Portal](#)
- [Careers](#)
- [Terms & Conditions](#)
- [Privacy Policy](#)

Quick Links

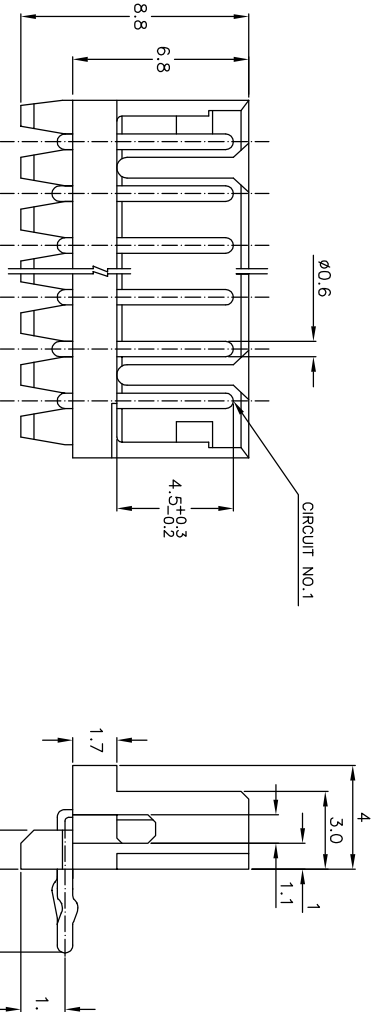
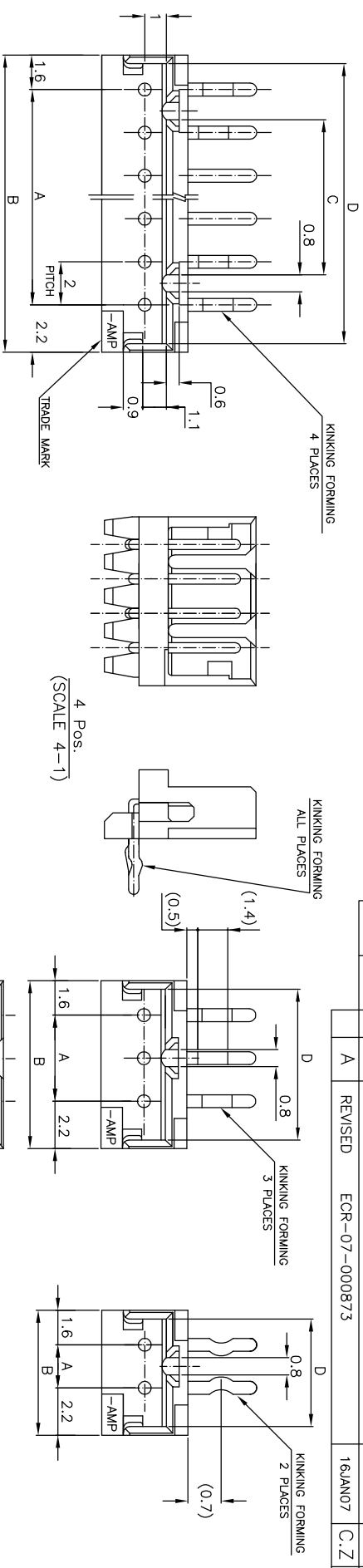
- [Distributor Inventory](#)
- [Product Cross Reference](#)
- [Documents & Drawings](#)
- [Product Compliance Support Center](#)
- [Site Map](#)

Customer Support

- [Email or Chat With Us](#)
- [Find a Phone Number](#)
- [Knowledge Base](#)
- [Manage Your Account](#)

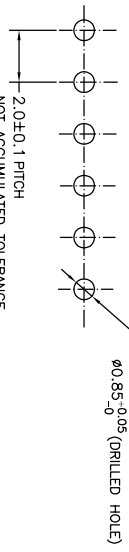
Keep Me Informed





- NOTES:
- MATERIAL: NYLON 66 (UL94V-0)
POST - TIN BRASS
 - APPLICABLE RECEPTACLE P/N 173977
 - THIS PART HAS BEEN OBSOLETE.

7-292253-4	5-292253-5	3-292253-6	1-292253-5	15	28	31.8	25.2	31.0
-4	5	-4	3	-4	1	-4	14	26
7-3	5	-3	3	-3	1	-3	13	24
7-2	5	-2	3	-2	1	-2	12	22
7-1	5	-1	3	-1	1	-1	11	20
7-0	5	-0	3	-0	1	-0	10	18
6-9	4	-9	2	-9	9	-9	16	19.8
6-8	4	-8	2	-8	8	-8	14	17.8
6-7	4	-7	2	-7	7	-7	12	15.8
6-6	4	-6	2	-6	6	-6	10	13.8
6-5	4	-5	2	-5	5	-5	8	11.8
6-4	4	-4	2	-4	4	-4	6	9.8
6-3	4	-3	2	-3	3	-3	4	7.8
6-2	4	-2	2	-2	2	-2	2	5.8
6-1	4	-1	2	-1	1	-1	1	4.8
6-0	4	-0	2	-0	0	-0	0	3.8
6-292253-2	4-292253-2	2-292253-2	292253-2	2	2	2	2	5.0



TOLERANCES UNLESS OTHERWISE SPECIFIED:

10 > * ±0.2

30 > * ±0.3

100 > * ±0.5

ANGLE : ±5

DIMENSIONS: MM	TOLERANCES UNLESS OTHERWISE SPECIFIED:
0 PIC	±
1 PIC	±
2 PIC	±
3 PIC	±
4 PIC	±
ANGLES	±

DMN S.XU	31JAN03	APPROVED T. SASAKI	108-60016	SIZE A3	DATE CODE 00779	DRAWING NO. 292253	RESTRICTED TO
CHK S.YAO	31JAN03	PRODUCT SPEC	108-60016	SCALE 5:1	SHEET 1	OF 1	REV A
TyoCo Electronics Corporation SHANGHAI, CHINA				POST HEADER ASS'Y HORIZONTAL TYPE (AMP CT CONNECTOR 2mm PITCH)			