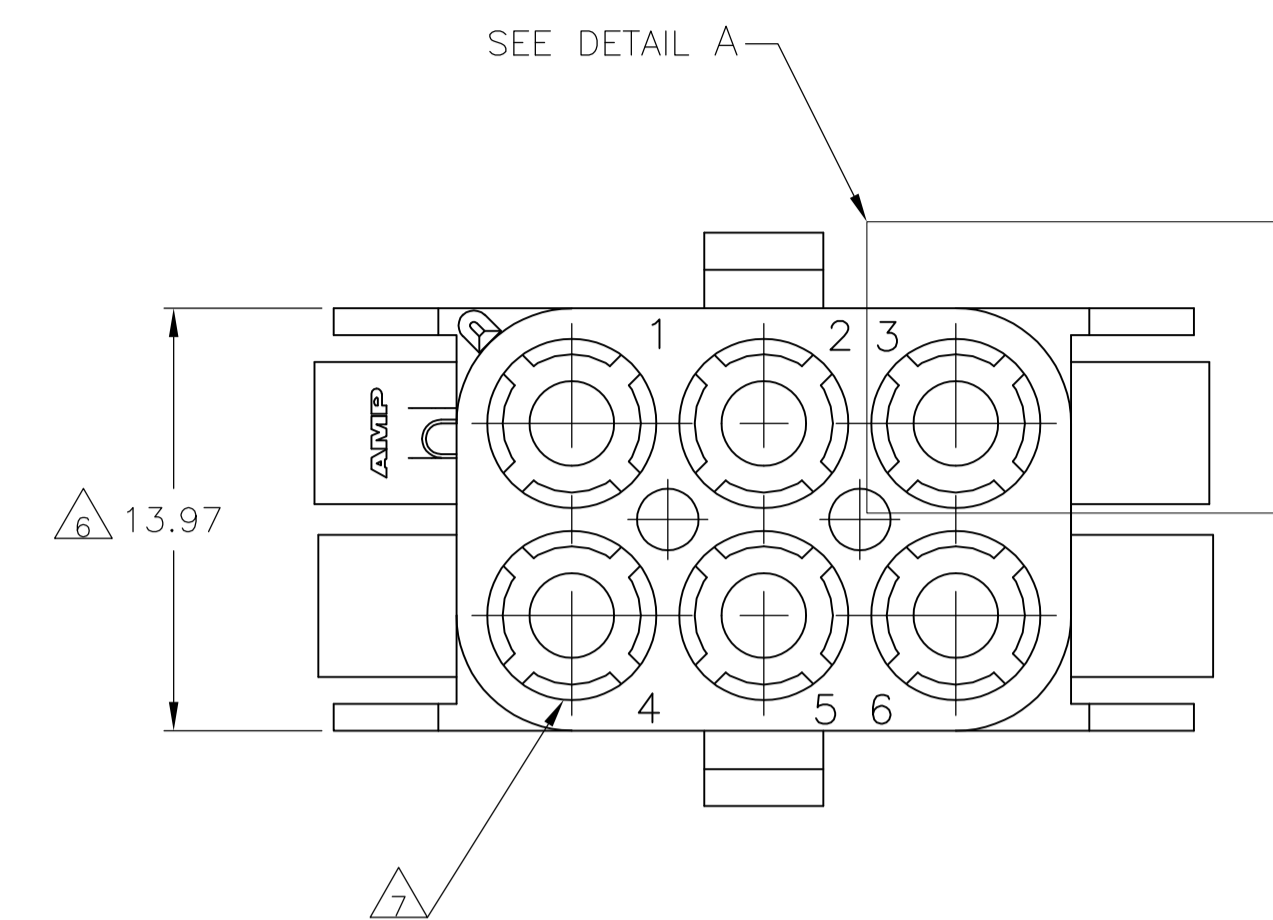
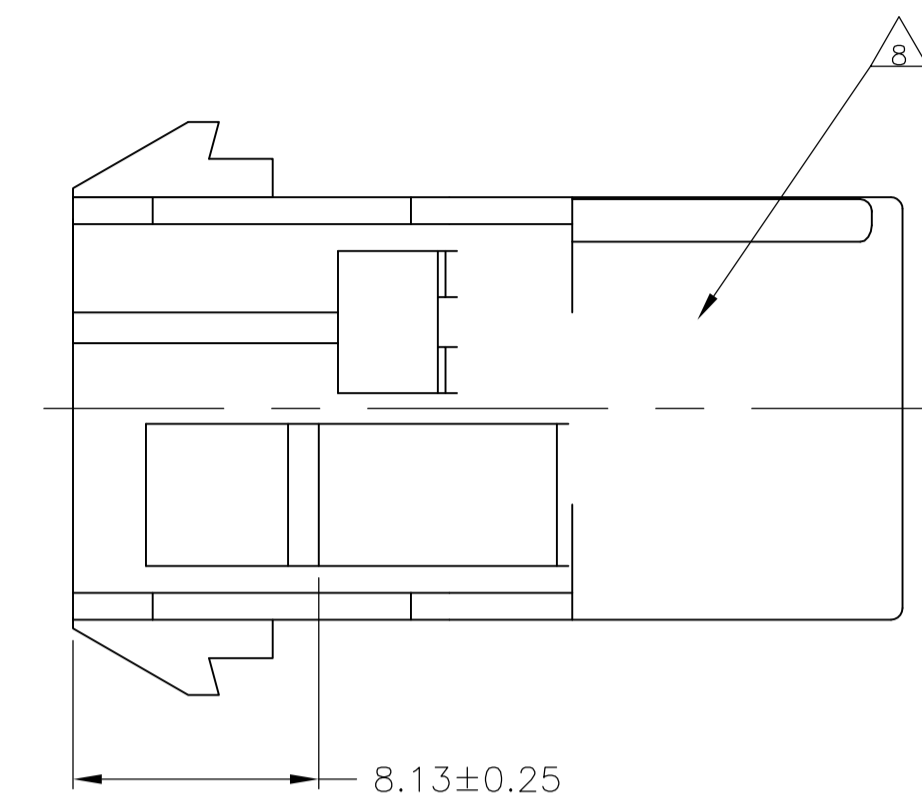
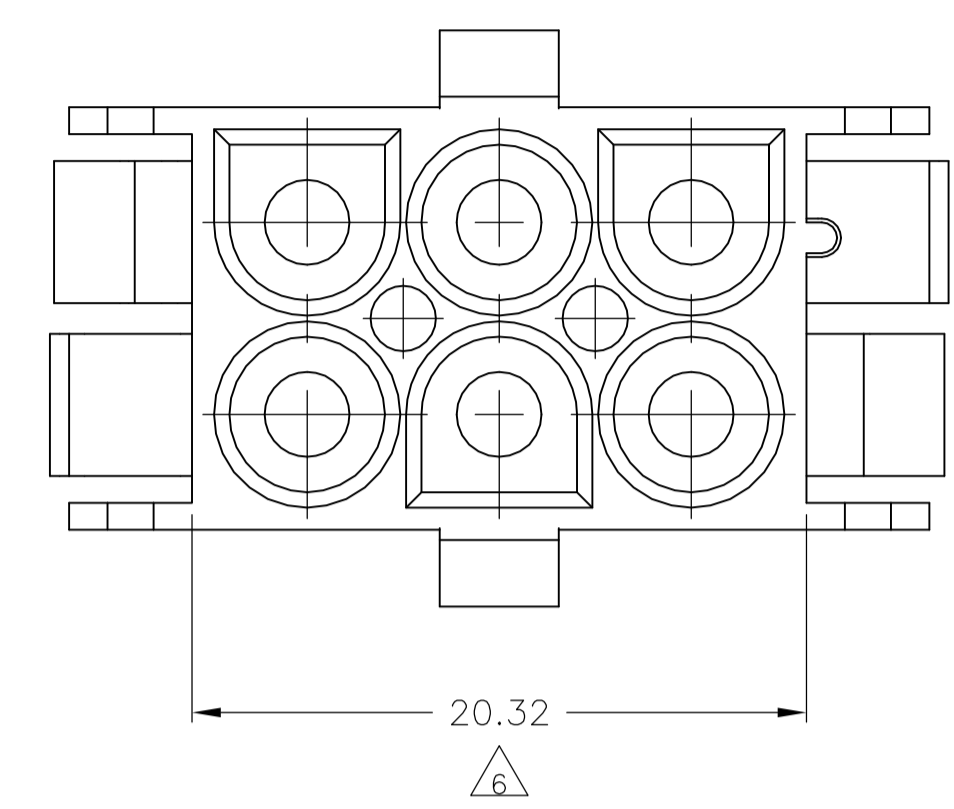
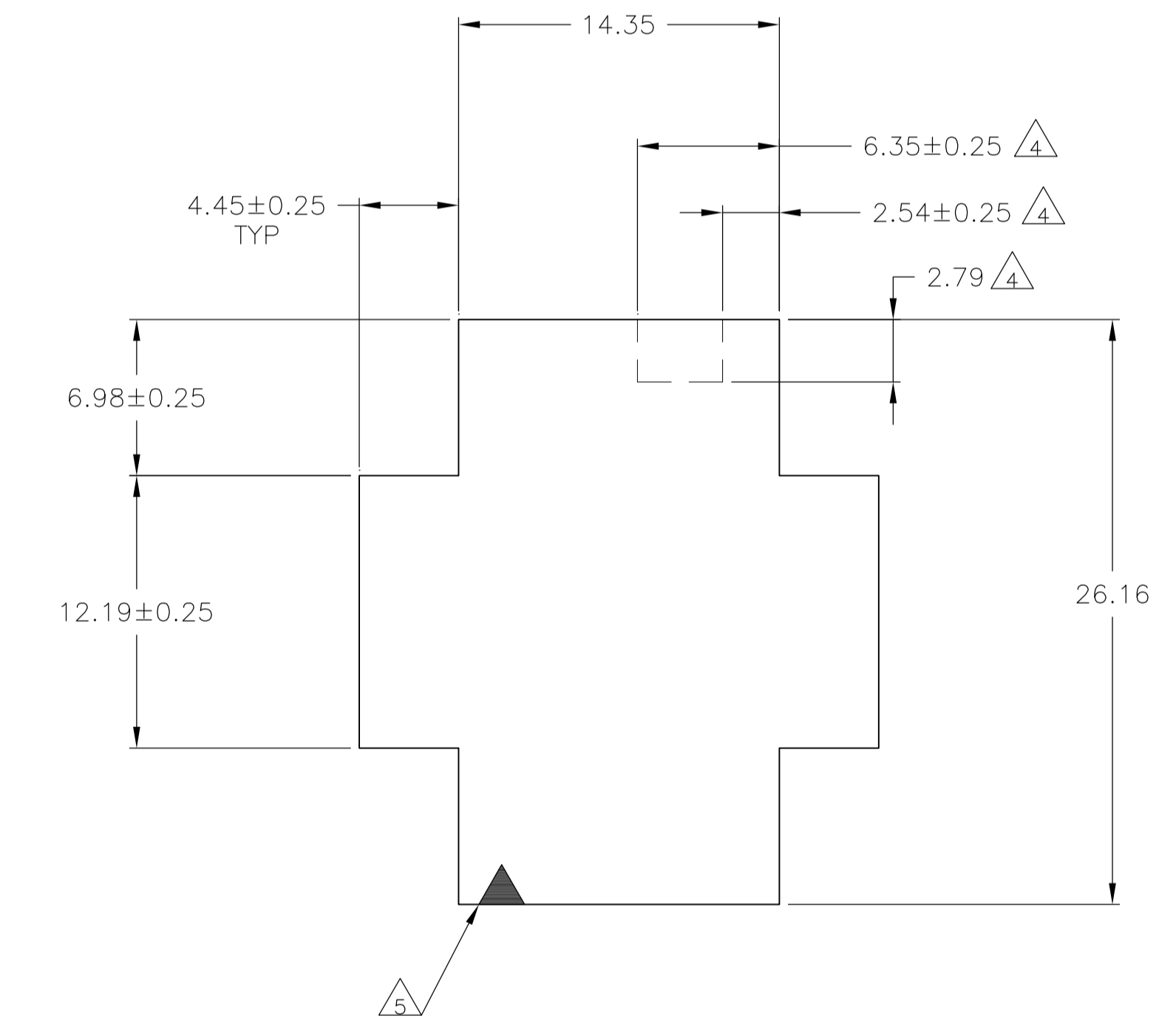
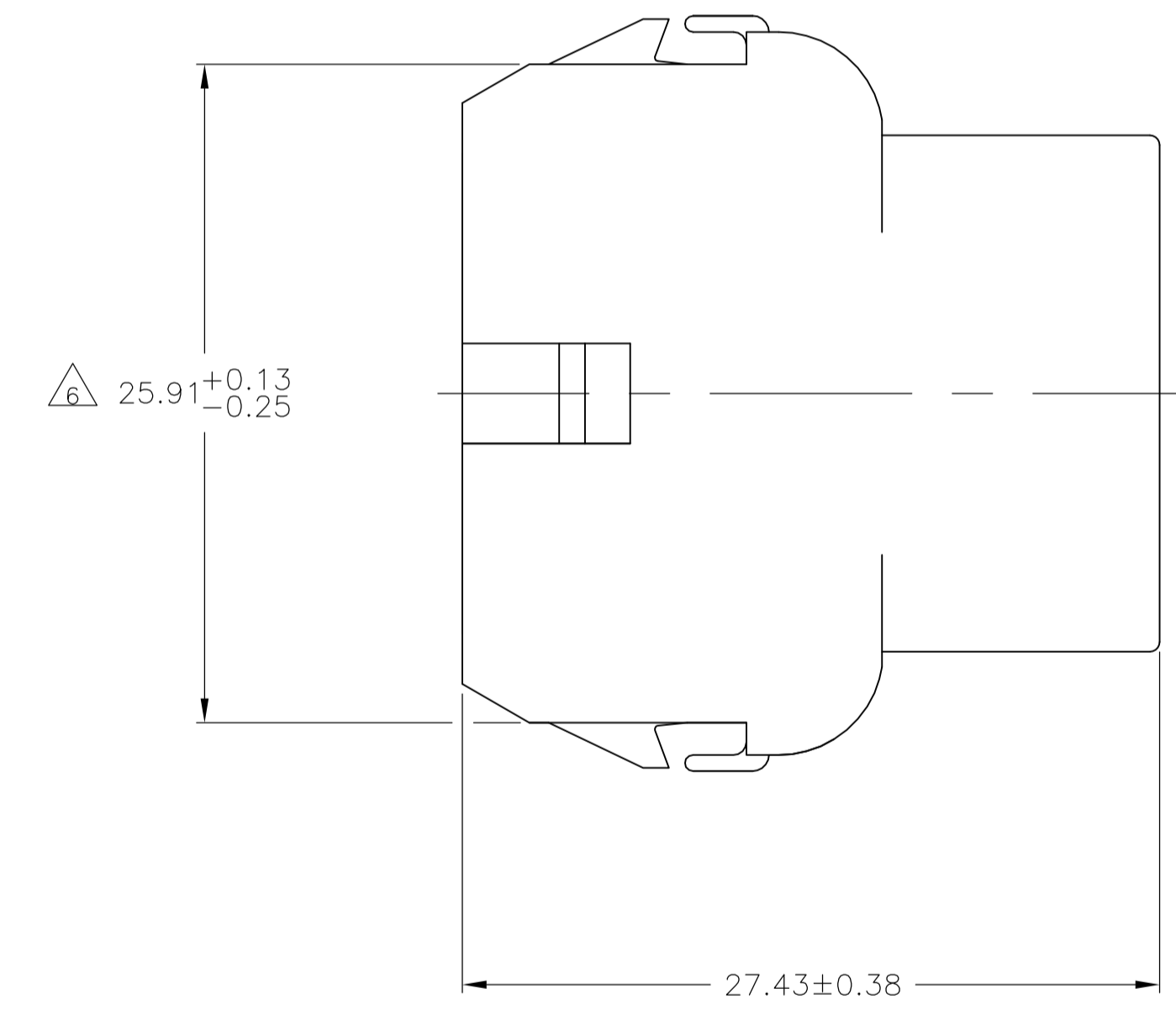
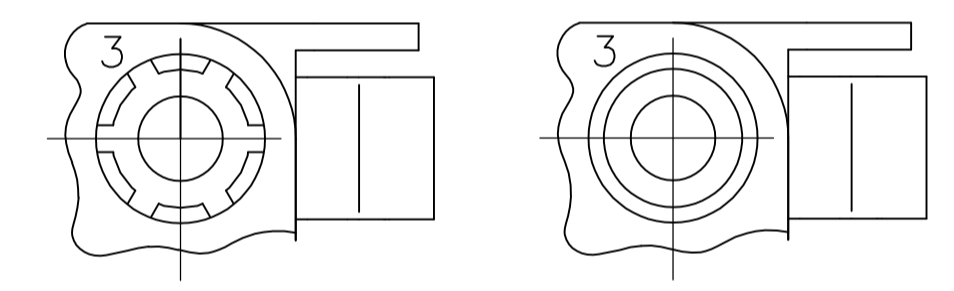


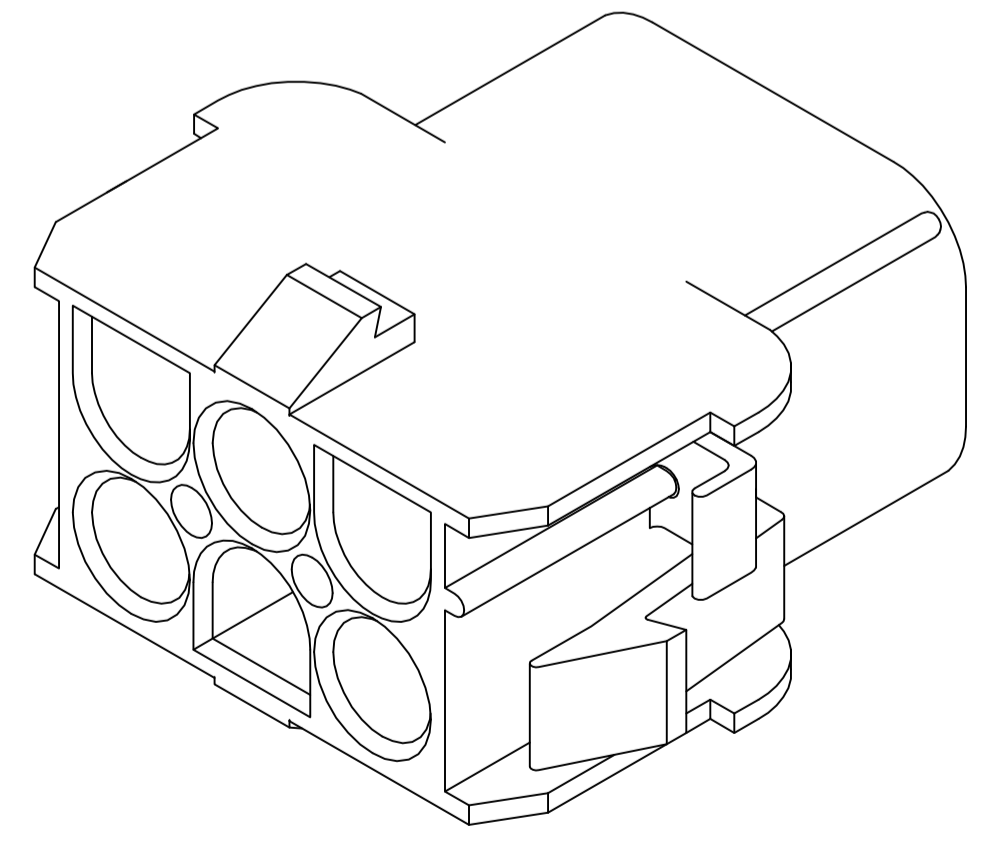
LOC		DIST		REVISIONS			
P	LTR	DESCRIPTION	DATE	DMN	APVD		
W2		REVISED PER ECO-11-004587	11MAR11	RK	HMR		
W3		REVISED PER ECR-15-005288	09APR15	AV	DZ		



- MATES WITH APPROPRIATE UNIVERSAL MATE-N-LOK™ PLUG.
 - RECOMMENDED PANEL THICKNESS 0.76 - 2.29.
 - PANEL MUST BE PUNCHED SO THAT THE HOUSING ENTERS THE PANEL IN THE SAME DIRECTION AS THE PUNCH.
- △4 OPTIONAL FOR KEYING HOUSING IN PANEL.
 - △4 CIRCUIT NUMBER 1 LOCATION.
 - △6 DIMENSION INDICATED IS AS MOLDED. ADDITIONAL GROWTH DUE TO SUBSEQUENT MOISTURE ABSORPTION MAY OCCUR.
 - △4 FOUR RIBS EQUALLY SPACED, NO SPECIFIC ORIENTATION. NO RIBS OR SIX RIBS EQUALLY SPACED, NO SPECIFIC ORIENTATION, OPTIONAL.
 - △8 UNDERWRITERS RECOGNIZED COMPONENT LOGO AND CSA CERTIFICATION LOGO TO BE LOCATED ONCE EACH ON SIDE OF HOUSING.



RECOMMENDED PANEL CUT OUT

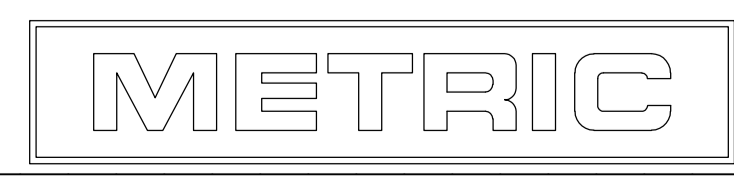


3-DIMENSIONAL MODEL NTS

6.35	.250	27.43	1.080
4.45	.175	26.16	1.030
2.79	.110	25.91	1.020
2.54	.100	20.32	.800
2.29	.090	14.35	.565
0.76	.030	13.97	.550
0.38	.015	12.19	.480
0.25	.010	8.13	.320
0.13	.005	6.99	.275
MM	IN	MM	IN

CONVERSION TABLE

BLACK	1-350781-9
GRAY	1-350781-8
BLUE	1-350781-6
GREEN	1-350781-5
YELLOW	1-350781-4
ORANGE	1-350781-3
RED	1-350781-2
BROWN	1-350781-1
NATURAL	350781-1
COLOR	PART NUMBER



THIS DRAWING IS A CONTROLLED DOCUMENT.

DIMENSIONS: mm	TOLERANCES UNLESS OTHERWISE SPECIFIED:	DIN K. WHITAKER 29JUN92	CHK R. SWING 29JUN92	APVD D. SELF 02JUL92	NAME
0. PLC ± -	1. PLC ± -	TE Connectivity		CAP, 6 CIRCUIT, UNIVERSAL MATE-N-LOK™	
2. PLC ± 0.13	3. PLC ± -	APPLICATION SPEC		SIZE CAGE CODE DRAWING NO. RESTRICTED TO	
4. PLC ± -	ANGLES ± 1°	WEIGHT		A1 00779 C=350781	
MATERIAL NYLON, UL 94V-0	FINISH -	CUSTOMER DRAWING		SCALE 4:1 SHEET 1 OF 1 REV W3	