



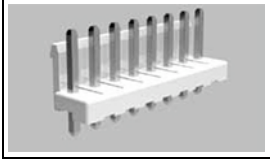
Have a Question?
Chat with a Product Information Specialist

What can we help you find?

[Products](#) [Industries](#) [Resources](#) [About TE](#) [My Account](#) [Innovation](#) [Support Center](#)

1-1123723-5 Product Details

[Share](#) [Print](#) [Email](#)



1-1123723-5

TE Internal Number: 1-1123723-5

Active

[View 3D PDF](#)

Economy Power Connectors

Converted to EU RoHS/ELV Compliant
(Statement of Compliance)

Product Highlights:

- Economy Power Product Line
- Connector
- Wire-to-Board
- Applies To Printed Circuit Board
- 5 Positions

[View all Features](#)

Quick Links

- ▶ Pricing & Availability
- ▶ Search for Tooling
- ▶ View Mating Products (2)
- ▶ View Headers (1)
- ▶ Product Feature Selector
- ▶ Contact Us About This Product

[Add to My Part List](#) [Request Sample](#) [Find Similar Products](#) [Buy Product](#)

Documentation & Additional Information

Product Drawings:

- [3.96\(7.92\)MM PITCH ECONOMY POWER\(EP\) CONN HEADER ASSY \(PDF, English\)](#)

Catalog Pages/Data Sheets:

- [7-1773458-5_ECONOMY_POWER_QRG \(PDF, English\)](#)

Product Specifications:

- [EP II Connector System \(PDF, English\)](#)
- [Economy Power \(EP\) Connector \(PDF, Japanese\)](#)

Application Specifications:

- [Economy Power \(EP\)-II Contacts and Receptacle Housings \(PDF, English\)](#)
- [Crimping Economy Power \(EP\) Contact \(PDF, Japanese\)](#)

Instruction Sheets:

- [Economy Power \(EP\) Connector \(PDF, Japanese\)](#)

CAD Files: ([CAD Format & Compression Information](#))

- [2D Drawing \(DXF, Version W\)](#)
- [3D Model \(IGES, Version W\)](#)
- [3D Model \(STEP, Version W\)](#)

[List all Documents](#)

Related Products:

- [Tooling](#)
- [Mating Products \(2\)](#)
- [Headers \(1\)](#)

Product Features (Please use the Product Drawing for all design activity)

Product Type Features:

- Product Line = Economy Power
- Product Type = Connector
- Connector Type = Header
- PCB Mounting Orientation = Vertical
- PCB Mount Retention = Without
- PCB Mount Alignment = Without
- Sealed = No

Mechanical Attachment:

- Mating Retention Type = Latching

Electrical Characteristics:

- Contact - Rated Current (A) = 7.5
- Operating Voltage Reference = AC
- Operating Voltage (VAC) = 250

Termination Features:

- Termination Method to PC Board = Through Hole - Solder

Dimensions:

- PCB Thickness, Recommended (mm [in]) = 1.60 [0.063]
- Tail Length (mm [in]) = 3.7 [0.146]
- Length (X-Axis) (mm [in]) = 19.74 [0.7772]
- Width (Z-Axis) (mm [in]) = 10.70 [0.421]
- Profile Height (Y-Axis) (mm [in]) = 8.50 [0.3346]

Housing Features:

- Centerline (mm [in]) = 3.96 [0.156]
- Connector Style = Plug
- Housing Color = Natural
- Housing Material = PBT GF
- Mating Alignment = With

Configuration Features:

- Number of Positions = 5
- Number of Rows = 1
- Tail Orientation = In-line

Industry Standards:

- RoHS/ELV Compliance = RoHS compliant, ELV compliant
- Lead Free Solder Processes = Wave solder capable to 240°C, Wave solder capable to 260°C, Wave solder capable to 265°C
- RoHS/ELV Compliance History = Converted to comply with RoHS directive
- UL Flammability Rating = UL 94V-0

Environmental:

- Operating Temperature (°C [°F]) = -25 - +105 [-13 - +221]

Conditions for Usage:

- Applies To = Printed Circuit Board
- Glow Wire Rating = Standard Part - Not Glow Wire

<p>Body Features:</p> <ul style="list-style-type: none"> • Selectively Loaded = No • Header Type = Unshrouded • Mating Retention = With <p>Contact Features:</p> <ul style="list-style-type: none"> • Contact Type = Pin • Contact Plating, Termination Area, Material = Tin • Contact Plating, Termination Area, Thickness (μm [μin]) = 0.8 [31.49] • Contact Plating, Mating Area, Thickness (μm [μin]) = 0.8 [31.49] • Contact Plating, Mating Area, Material = Tin • Contact Design = Square Post • Contact Base Material = Brass 	<p>Operation/Application:</p> <ul style="list-style-type: none"> • Application Use = Wire-to-Board • Contact Transmits (Typical Application) = Power <p>Other:</p> <ul style="list-style-type: none"> • Brand = AMP
---	--

Corporate Information

- [About TE](#)
- [Investors](#)
- [News Room](#)
- [Supplier Portal](#)
- [Careers](#)
- [Terms & Conditions](#)
- [Privacy Policy](#)
- [AODA Accessibility Policy](#)
- [AODA Multi-Year Accessibility Plan](#)

Quick Links

- [Distributor Inventory](#)
- [Product Cross Reference](#)
- [Documents & Drawings](#)
- [Product Compliance Support Center](#)
- [Site Map](#)

Customer Support

- [Email or Chat With Us](#)
- [Find a Phone Number](#)
- [Knowledge Base](#)
- [Manage Your Account](#)

Keep Me Informed



THIS DRAWING IS UNPUBLISHED. RELEASED FOR PUBLICATION
 © COPYRIGHT - By - ALL RIGHTS RESERVED.

LOC	DIST	REVISIONS					
		P	LTR	DESCRIPTION	DATE	DWN	APVD
J	-	Z1		REVISED PER ECR-12-007692	25APR12	LL	FM

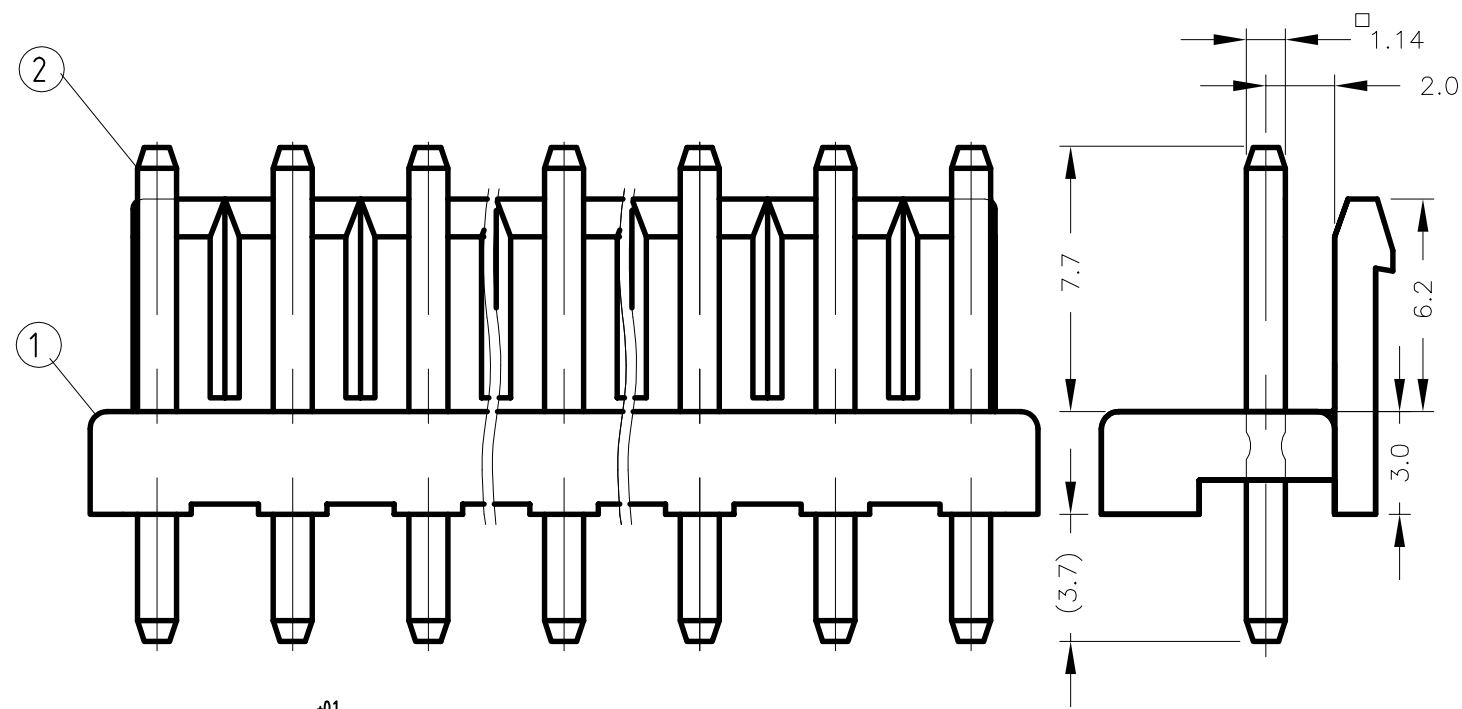
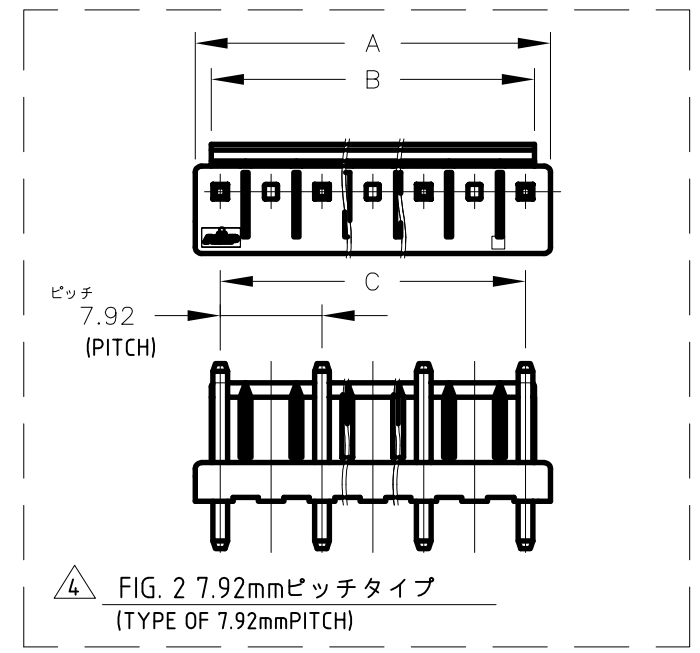
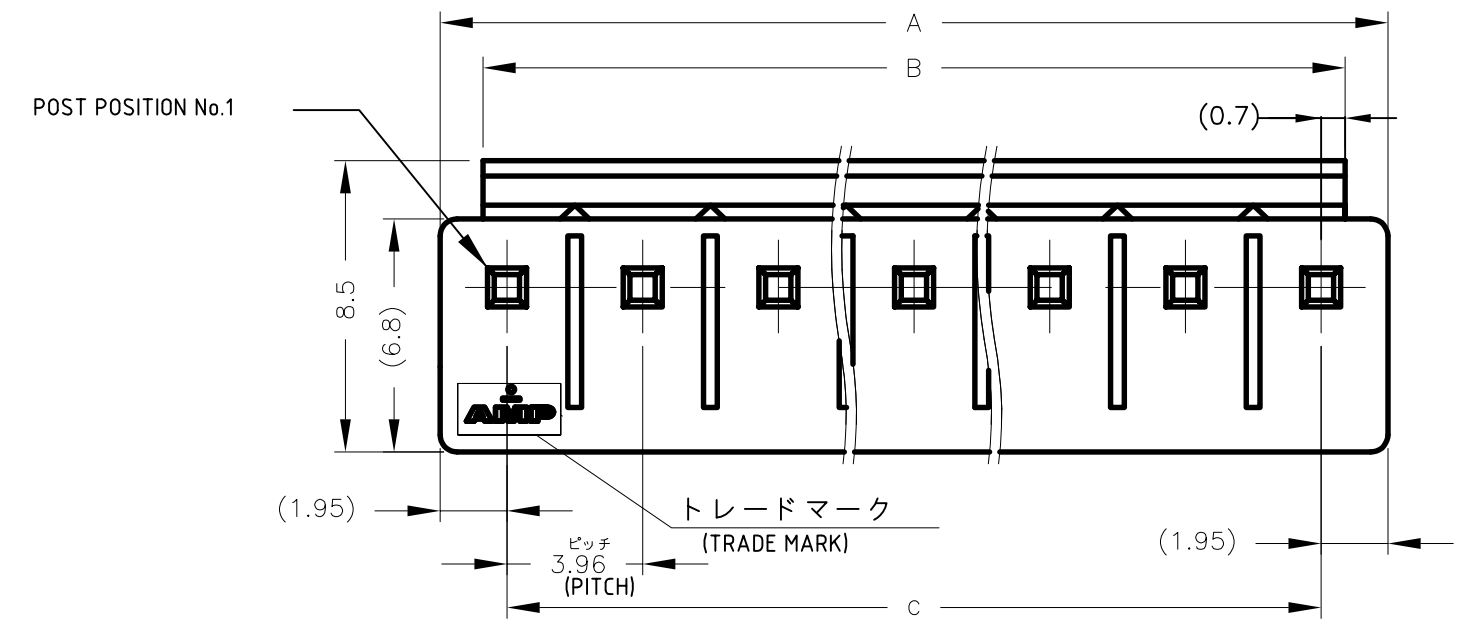
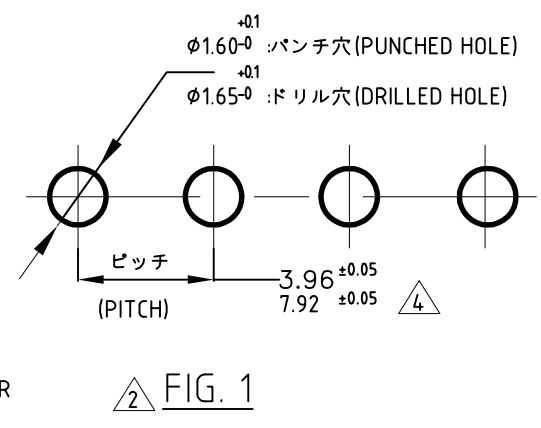


表1 (TABLE 1)

No	名称 (NAME)	材料 (MATERIAL)
①	ヘッダーハウジング (HEADER HOUSING)	PBT ガラス強化 UL94V-0 (PBT GLASS FILLED UL94V-0)
②	ポスト コンタクト (POST CONTACT)	黄銅錫めっき仕上げ (POST TIN · BRASS)

- 注記:
- 1. 嵌合相手側製品型番: □-1123722-□
 - 2. 取付け基板寸法: FIG.1 参照
 - 3. 適用基板厚: 1.6t
 - 4. 7.92mmピッチタイプ (FIG.2参照)

- NOTES:
- 1. MATING CONN P/N: □-1123722-□
 - 2. APPLICABLE P.C.B LAY OUT: SEE FIG.1
 - 3. APPLICABLE P.C.B THICKNESS: 1.6t
 - 4. TYPE OF 7.92mmPITCH(SEE FIG.2)
 - 5. OBSOLETE PARTS: OBSOLETE CIS STREAMLINING PER D.RENAUD/D.SINISI



THIS DRAWING IS A CONTROLLED DOCUMENT.

DIMENSIONS: 単位: 耗 mm	TOLERANCES UNLESS OTHERWISE SPECIFIED: 一般公差	DWN N.YAMASAKI 13MAR'01	TE Connectivity
0 PLC 5 ^{>} ± 0.3	1 PLC 5 ^{<} ± 0.4	CHK M.SHINDO 13MAR'01	
2 PLC ±	3 PLC ±	APVD Y.KASHIWA 13MAR'01	NAME 3.96(7.92)MM PITCH ECONOMY POWER(EP) CONN 名称 3.96(7.92)mmピッチ エコノミーパワー(EP)コネクタ ヘッダーアッセンブリ
4 PLC ±	4 PLC ANGLS ±	PRODUCT SPEC 108-5609	SIZE A3
MATERIAL 材料 SEE TABLE1	FINISH 仕上 //	APPLICATION SPEC 取付適用規格 //	CAGE CODE 00779
		WEIGHT //	DRAWING NO 番号 G=1123723
		CUSTOMER DRAWING	RESTRICTED TO -
		SCALE 尺度 //	SHEET 1 of 3
			REV Z1

P	LTR	DESCRIPTION	DATE	DWN	APVD
	-	SEE SHEET 1	-	-	-

D

C

B

A

○	○	○	○	○	○	○	○	○	○	○	○	35.64	37.04	39.54		
○	×	×	○	○	○	○	○	○	○	○	○	31.68	33.08	35.58		
○	○	○	×	○	○	○	○	○	○	○	○	27.72	29.12	31.62		
○	×	×	○	○	○	○	○	○	○	○	○	35.64	37.04	39.54		
○	○	×	○	×	○	×	○	×	○	○	○	31.68	33.08	35.58		
○	○	○	×	○	×	○	○	○	○	○	○	27.72	29.12	31.62		
○	×	×	○	○	○	○	○	○	○	○	○	23.76	25.16	27.66		
○	○	○	×	○	×	○	×	○	○	○	○	31.68	33.08	35.58		
○	×	×	○	×	○	×	○	×	○	○	○	39.60	41.00	43.50		
○	○	○	×	○	○	○	○	○	○	○	○	19.80	21.20	23.70		
○	○	○	×	○	×	○	○	○	○	○	○	23.76	25.16	27.66		
○	×	×	○	×	○	×	○	×	○	○	○	35.64	37.04	39.54		
○	×	×	○	×	○	○	○	○	○	○	○	27.72	29.12	31.62		
○	○	×	○	×	○	○	○	○	○	○	○	19.80	21.20	23.70		
○	×	×	○	×	○	○	○	○	○	○	○	31.68	33.08	35.58		
○	○	○	×	○	○	○	○	○	○	○	○	15.84	17.24	19.74		
○	×	×	○	×	○	○	○	○	○	○	○	23.76	29.12	31.62		
○	○	○	×	○	○	○	○	○	○	○	○	15.84	17.24	19.74		
○	×	×	○	○	○	○	○	○	○	○	○	19.80	21.20	23.70		
○	○	○	×	○	○	○	○	○	○	○	○	23.76	25.16	27.66		
○	○	×	○	○	○	○	○	○	○	○	○	15.84	17.24	19.74		
○	×	×	○	○	○	○	○	○	○	○	○	11.88	13.28	15.78		
○	○	○	×	○	○	○	○	○	○	○	○	15.84	17.24	19.74		
○	○	×	○	○	○	○	○	○	○	○	○	11.88	13.28	15.78		
○	×	×	○	○	○	○	○	○	○	○	○	7.92	9.32	11.82		
○	○	○	○	○	○	○	○	○	○	○	○	39.60	41.00	43.50		
○	×	○	○	×	○	○	○	○	○	○	○	39.60	41.00	43.50		
○	○	○	○	○	○	○	○	○	○	○	○	35.64	37.04	39.54		
○	○	○	○	○	○	○	○	○	○	○	○	31.68	33.08	35.58		
○	○	○	○	○	○	○	○	○	○	○	○	27.72	29.12	31.62		
○	○	○	○	○	○	○	○	○	○	○	○	23.76	25.16	27.66		
○	○	○	○	○	○	○	○	○	○	○	○	19.80	21.20	23.70		
○	○	○	○	○	○	○	○	○	○	○	○	15.84	17.24	19.74		
○	○	○	○	○	○	○	○	○	○	○	○	11.88	13.28	15.78		
○	○	○	○	○	○	○	○	○	○	○	○	7.92	9.32	11.82		
○	○	○	○	○	○	○	○	○	○	○	○	3.96	5.36	7.86		
1	2	3	4	5	6	7	8	9	10	11	C	B	A			


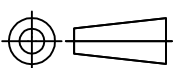
自然色(NATURAL)

ハウジング色調
(HOUSING COLOR)

極数 (POS)
型番 (P/N)

注

- 1) ○ : ポストあり (WITH POST)
- 2) × : ポスト抜き (WITHOUT POST)
- 3) ALL THE PARTS IN SHEET 3 OF 3 MEET IEC 60335-1 (GWT GLOW WIRE TEST 750 DEGREE SPEC)

THIS DRAWING IS A CONTROLLED DOCUMENT.		DWN	13MAR'01	 TE Connectivity	NAME 名称	3.96(7.92)MM PITCH ECONOMY POWER(EP) CONN HEADER ASSY			RESTRICTED TO —			
DIMENSIONS: 単位: 耗 mm	TOLERANCES UNLESS OTHERWISE SPECIFIED: 一般公差 0 PLC ± 0.3 1 PLC ± 0.4 2 PLC ± 3 PLC ± 4 PLC ± ANGLES ±	CHK	13MAR'01			APVD	13MAR'01	SIZE		CAGE CODE	DRAWING NO 番号	
		M.M.SHINDO										
		PRODUCT SPEC				108-5609		A3	00779	G=1123723	SCALE 尺度	SHEET 3 of 3
		APPLICATION SPEC			取付適用規格		WEIGHT CUSTOMER DRAWING					
MATERIAL 材料 SEE TABLE1		FINISH 仕上										