



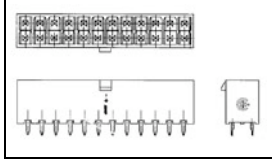
Have a Question?
Chat with a Product
Information Specialist

What can we help you find?

[Products](#) [Industries](#) [Resources](#) [About TE](#) [My Account](#) [Innovation](#) [Support Center](#)

1586037-8 Product Details

[Share](#) [Print](#) [Email](#)



1586037-8

TE Internal Number: 1586037-8

Active

[View 3D PDF](#)

VAL-U-LOK Series Connector System

Always EU RoHS/ELV Compliant (Statement of Compliance)

Product Highlights:

- Wire-to-Board
- Applies To Printed Circuit Board
- Connector
- Glow Wire Rating = Standard Part - Not Glow Wire
- Header

[View all Features](#)

Quick Links

- ▶ [Pricing & Availability](#)
- ▶ [Search for Tooling](#)
- ▶ [View Mating Products \(2\)](#)
- ▶ [Product Feature Selector](#)
- ▶ [Contact Us About This Product](#)

[Add to My Part List](#) [Request Sample](#) [Find Similar Products](#) [Buy Product](#)

Documentation & Additional Information	
<p>Product Drawings:</p> <ul style="list-style-type: none"> • VERTICAL HEADER WITHOUT PEGS, WITH DRAIN HOLES VAL-U... (PDF, English) <p>Catalog Pages/Data Sheets:</p> <ul style="list-style-type: none"> • SOFT_SHELL_PIN_AND_SOCKET_CONNECTORS_CATALOG (PDF, English) <p>Product Specifications:</p> <ul style="list-style-type: none"> • VAL-U-LOK Connectors (PDF, English) <p>Application Specifications:</p> <ul style="list-style-type: none"> • VAL-U-LOK Series Headers, Connectors and TPA Accessories (PDF, English) <p>Instruction Sheets:</p> <ul style="list-style-type: none"> • None Available <p>CAD Files: (CAD Format & Compression Information)</p> <ul style="list-style-type: none"> • 2D Drawing (DXF, Version B) • 3D Model (IGES, Version B) • 3D Model (STEP, Version B) 	<p>Related Products:</p> <ul style="list-style-type: none"> • Tooling • Mating Products (2)

[List all Documents](#)

Product Features (Please use the Product Drawing for all design activity)	
<p>Product Type Features:</p> <ul style="list-style-type: none"> • Product Type = Connector • Connector Type = Header • PCB Mounting Orientation = Vertical • PCB Mount Alignment = Without • PCB Mount Retention = Without • Sealed = No • CSA File Number = 208567 <p>Mechanical Attachment:</p> <ul style="list-style-type: none"> • Mating Retention Type = Latching <p>Electrical Characteristics:</p> <ul style="list-style-type: none"> • Contact Current Rating, Max. (A) = 9 • Operating Voltage Reference = AC • Operating Voltage (VAC) = 600 <p>Termination Features:</p> <ul style="list-style-type: none"> • Wire/Cable Size (AWG) = 16 - 26 • Wire/Cable Size (mm²) = 0.12 - 1.4 • Termination Method to PC Board = Through Hole - Solder <p>Dimensions:</p> <ul style="list-style-type: none"> • PCB Thickness, Recommended (mm [in]) = 1.60 [0.063] • Tail Length (mm [in]) = 3.5 [0.138] • Length (X-Axis) (mm [in]) = 18.00 [0.7087] 	<p>Housing Features:</p> <ul style="list-style-type: none"> • Connector Style = Plug • Centerline (mm [in]) = 4.20 [0.165] • Mating Alignment = With • Mating Alignment Type = Keyed • Housing Color = Natural <p>Configuration Features:</p> <ul style="list-style-type: none"> • Number of Positions = 8 • Number of Rows = 2 • Tail Orientation = In-line • Shrouded = Yes <p>Industry Standards:</p> <ul style="list-style-type: none"> • RoHS/ELV Compliance = RoHS compliant, ELV compliant • Lead Free Solder Processes = Wave solder capable to 240°C, Wave solder capable to 260°C, Wave solder capable to 265°C • RoHS/ELV Compliance History = Always was RoHS compliant • UL Flammability Rating = UL 94V-2 • Agency/Standard = CSA, UL • UL Rating = Recognized • UL File Number = E28476 <p>Identification Marking:</p> <ul style="list-style-type: none"> • Circuit Identification Feature = With

- Width (Z-Axis) (mm [in]) = 9.60 [0.380]
- Profile Height (Y-Axis) (mm [in]) = 12.80 [0.504]

Body Features:

- Header Type = Shrouded
- Mating Retention = With
- Selectively Loaded = No

Contact Features:

- Contact Type = Pin
- Contact Base Material = Brass
- Contact Plating, Mating Area, Material = Tin
- Contact Plating, Mating Area, Thickness (μm [μin]) = 2.54 [100]
- Contact Plating, Termination Area, Material = Tin
- Contact Plating, Termination Area, Thickness (μm [μin]) = 2.54 [100]
- Contact Design = Square Post

Environmental:

- Operating Temperature ($^{\circ}\text{C}$ [$^{\circ}\text{F}$]) = -40 - +105 [-40 - +221]

Conditions for Usage:

- Applies To = Printed Circuit Board
- Glow Wire Rating = Standard Part - Not Glow Wire

Operation/Application:

- Application Use = Wire-to-Board
- Contact Transmits (Typical Application) = Signal (Data)
- Pick and Place Cover = Without

Packaging Features:

- Packaging Method = Tray

Other:

- Brand = AMP

Corporate Information

[About TE](#)
[Investors](#)
[News Room](#)
[Supplier Portal](#)
[Careers](#)
[Terms & Conditions](#)
[Privacy Policy](#)
[AODA Accessibility Policy](#)
[AODA Multi-Year Accessibility Plan](#)

Quick Links

[Distributor Inventory](#)
[Product Cross Reference](#)
[Documents & Drawings](#)
[Product Compliance Support Center](#)
[Site Map](#)

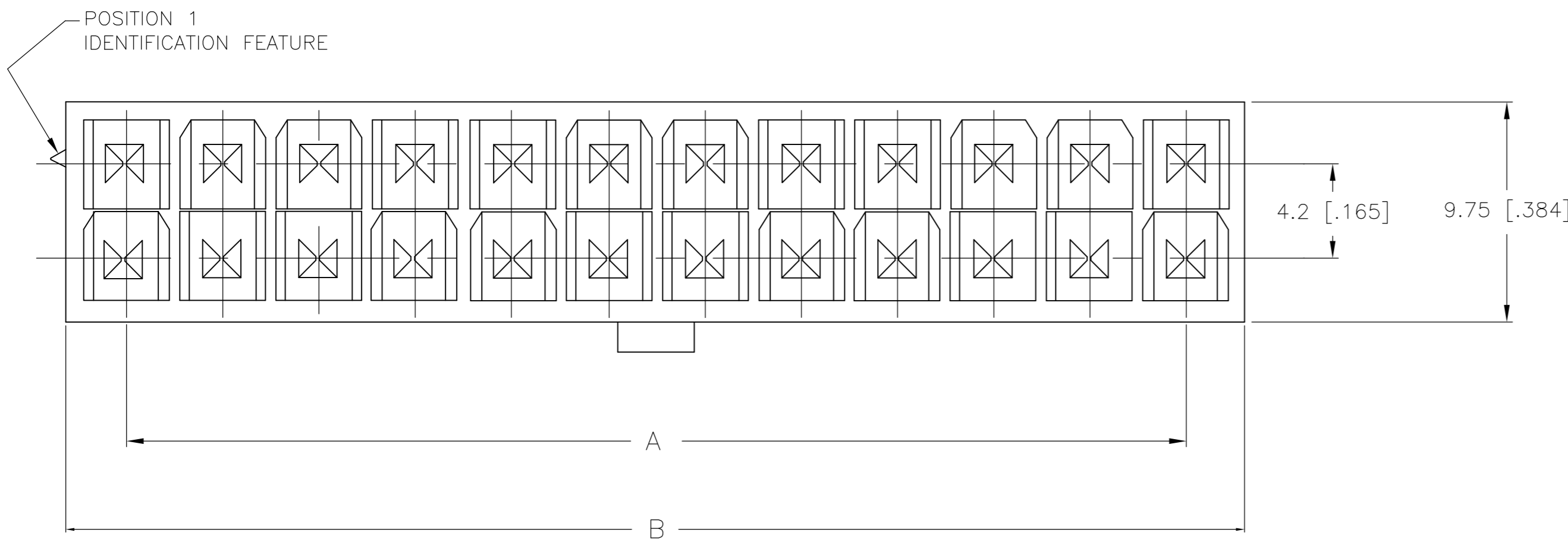
Customer Support

[Email or Chat With Us](#)
[Find a Phone Number](#)
[Knowledge Base](#)
[Manage Your Account](#)

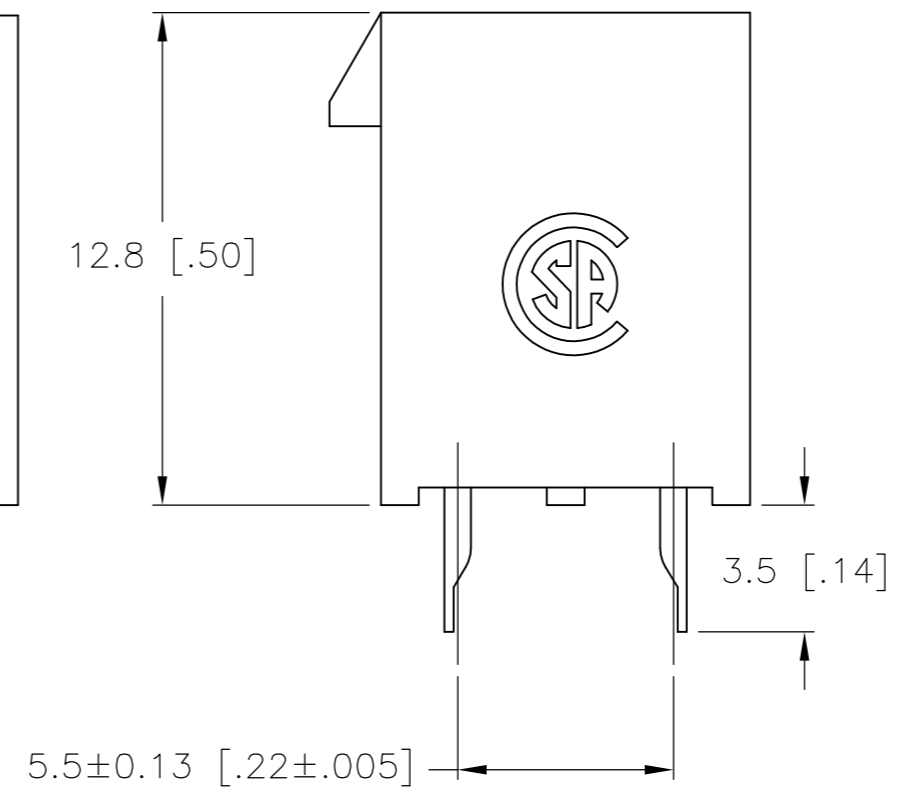
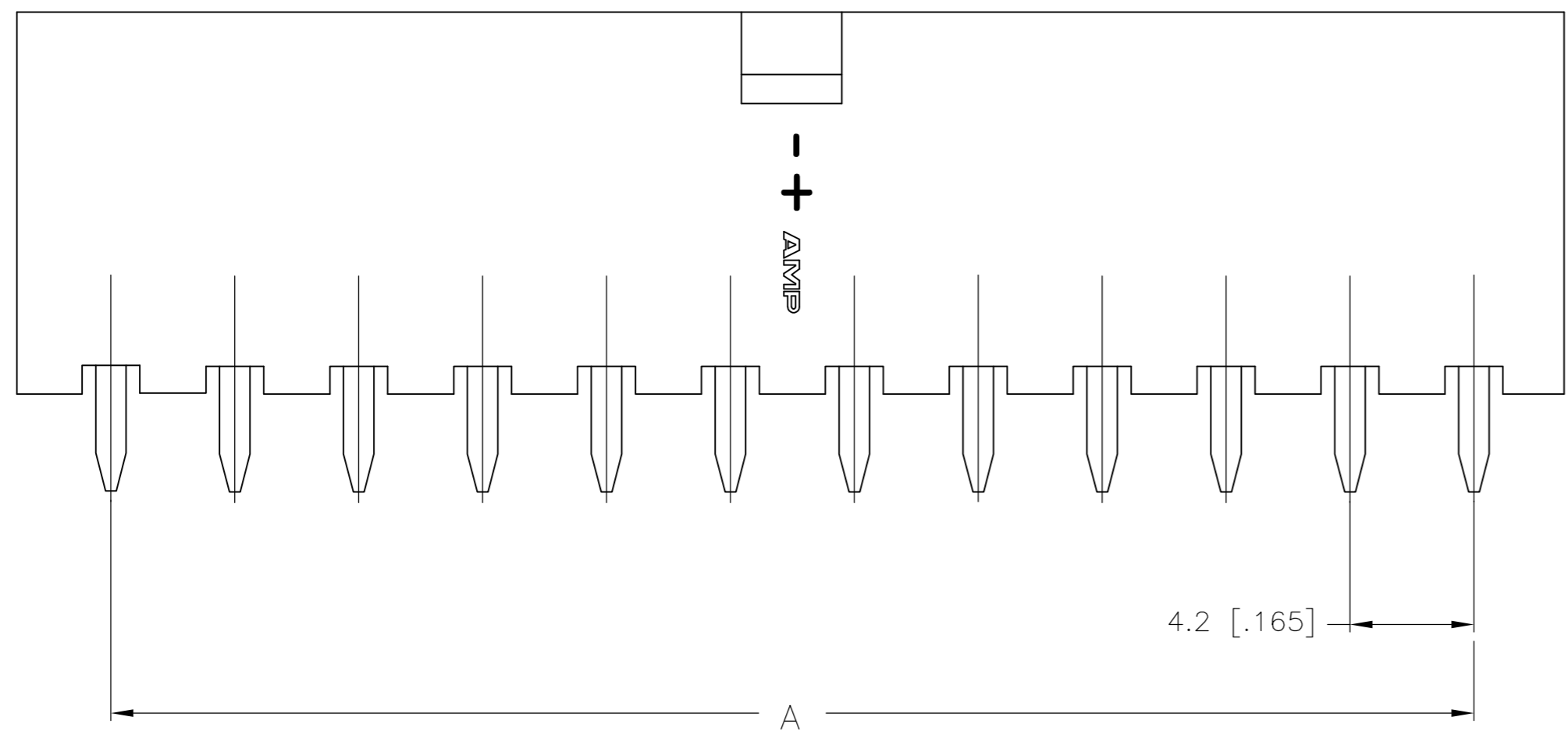
Keep Me Informed

THIS DRAWING IS UNPUBLISHED. RELEASED FOR PUBLICATION
 © COPYRIGHT - By - ALL RIGHTS RESERVED.

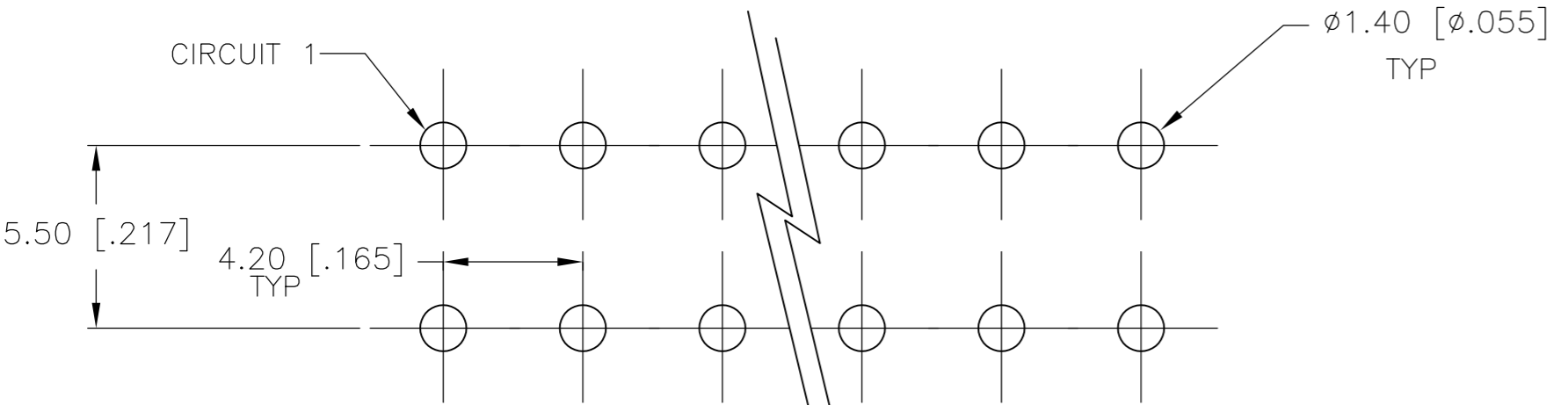
LOC		DIST		REVISIONS			
P	LTR	DESCRIPTION		DATE	DWN	APVD	
CM	00	B4	REVISED PER ECO-12-010618		06JUN12	JR	SM



- 1 MATERIAL: HOUSING-NYLON, UL94V-2 (COLOR-NATURAL, COLOR OF PARTS MAY VARY) CONTACTS-0.25 [.010] THICK BRASS ALLOY.
- 2 CONTACT FINISH: 0.002032 [.000080] MIN MATTE TIN OVER 0.000381 [.000015] MIN NICKEL OVER ENTIRE CONTACT.
- 3 MATES WITH VAL-U-LOK(TM) RECEPTACLE HOUSINGS.



24	46.2±0.25 [1.82±.01]	51.6 [2.03]	2-1586037-4
22	42.0±0.25 [1.65±.01]	47.4 [1.87]	2-1586037-2
20	37.8±0.25 [1.49±.01]	43.2 [1.70]	2-1586037-0
18	33.6±0.25 [1.32±.01]	39.0 [1.54]	1-1586037-8
16	29.4±0.25 [1.16±.01]	34.8 [1.37]	1-1586037-6
14	25.2±0.25 [.99±.01]	30.6 [1.21]	1-1586037-4
12	21.0±0.25 [.83±.01]	26.4 [1.04]	1-1586037-2
10	16.8±0.13 [.66±.005]	22.2 [.87]	1-1586037-0
8	12.6±0.13 [.50±.005]	18.0 [.71]	1586037-8
6	8.4±0.13 [.33±.005]	13.8 [.54]	1586037-6
4	4.2±0.13 [.17±.005]	9.6 [.38]	1586037-4
2		5.4 [.21]	1586037-2
POS	A	B±0.25[.01]	PART NUMBER



PCB LAYOUT: COMPONENT SIDE
 RECOMMENDED BOARD THICKNESS 1.60 [.063]

2-1586037-4 SHOWN

THIS DRAWING IS A CONTROLLED DOCUMENT.		DWN S. HOOVER 18-SEP-2002	TE Connectivity	
DIMENSIONS: mm [INCHES]		CHK D. COLEY 18-SEP-2002		
TOLERANCES UNLESS OTHERWISE SPECIFIED:		APVD D. COLEY 18-SEP-2002	NAME	
0 PLC ±	1 PLC ± 0.5 [.02]	PRODUCT SPEC	VERTICAL HEADER WITHOUT PEGS, WITH DRAIN HOLES VAL-U-LOK(TM)	
2 PLC ± 0.25 [.010]	3 PLC ± -	APPLICATION SPEC	SIZE A2	CAGE CODE 00779
4 PLC ± -	ANGLES ±	WEIGHT	DRAWING NO C=1586037	RESTRICTED TO -
MATERIAL 1	FINISH 2	CUSTOMER DRAWING	SCALE 5:1	SHEET 1 OF 1
			REV B4	