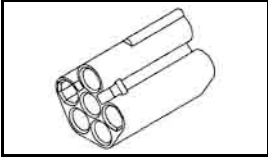


## 794912-1 Product Details

[Share](#) [Print](#) [Email](#)




**794912-1**

TE Internal Number: 794912-1

 Active

[View 3D PDF](#)

### Circular (Universal MATE-N-LOK)

 Always EU RoHS/ELV Compliant  
(Statement of Compliance)

#### Product Highlights:

- Housing
- Connector Style = Receptacle
- 6 Positions
- Circular Contact Layout
- RoHS compliant, ELV compliant

[View all Features](#)

### Quick Links

- ▶ [Pricing & Availability](#)
- ▶ [Search for Tooling](#)
- ▶ [View Mating Products \(1\)](#)
- ▶ [Product Feature Selector](#)
- ▶ [Contact Us About This Product](#)

[Add to My Part List](#)

[Request Sample](#)

[Find Similar Products](#)

[Buy Product](#)

### Documentation & Additional Information

#### Product Drawings:

- [CAP, CIRCULAR, 6 CIRCUIT, UNIVERSAL MATE-N-LOK\(TM\)](#) (PDF, English)

#### Catalog Pages/Data Sheets:

- [SOFT\\_SHELL\\_PIN\\_SOCKET\\_CONNECTORS\\_STANDARD\\_DENSITY](#) (PDF, English)

#### Product Specifications:

- None Available

#### Application Specifications:

- None Available

#### Instruction Sheets:

- None Available

#### CAD Files: (CAD Format & Compression Information)

- [2D Drawing](#) (DXF, Version B1)
- [3D Model](#) (IGES, Version B1)
- [3D Model](#) (STEP, Version B1)

[List all Documents](#)

#### Additional Information:

- [Product Line Information](#)

#### Related Products:

- [Tooling](#)
- [Mating Products \(1\)](#)

### Product Features (Please use the Product Drawing for all design activity)

#### Product Type Features:

- Connector Type = Housing

#### Mechanical Attachment:

- Mount = Free Hanging

#### Electrical Characteristics:

- Voltage (VAC) = 600
- Current Rating (A) = 20

#### Body Features:

- Polarized = Yes

#### Contact Features:

- Contact Layout = Circular

#### Housing Features:

- Connector Style = Receptacle
- Housing Material = Nylon
- Housing Color = Natural
- UL Flammability Rating = UL 94V-0, UL 94V-2

#### Configuration Features:

- Number of Positions = 6

#### Industry Standards:

- [RoHS/ELV Compliance](#) = RoHS compliant, ELV compliant
- [Lead Free Solder Processes](#) = Not relevant for lead free process
- [RoHS/ELV Compliance History](#) = Always was RoHS compliant

**Other:**

- Brand = AMP
- Comment = Uses standard MATE-N-LOK contacts.; AC or DC Current; Will pass through 7/8 inch knockout.

---

**Corporate Information**

[About TE](#)  
[Investors](#)  
[News Room](#)  
[Supplier Portal](#)  
[Careers](#)  
[Terms & Conditions](#)  
[Privacy Policy](#)

**Quick Links**

[Distributor Inventory](#)  
[Product Cross Reference](#)  
[Documents & Drawings](#)  
[Product Compliance Support Center](#)  
[Site Map](#)

**Customer Support**

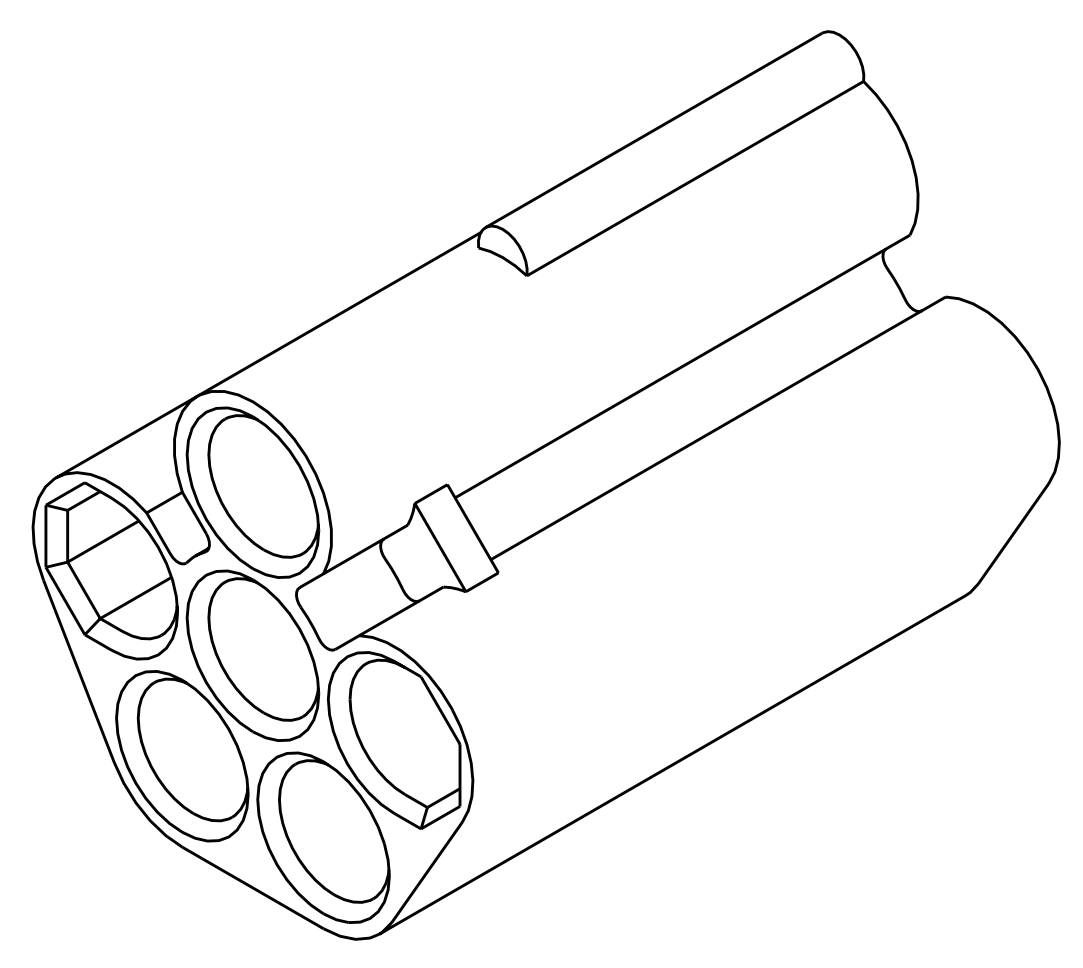
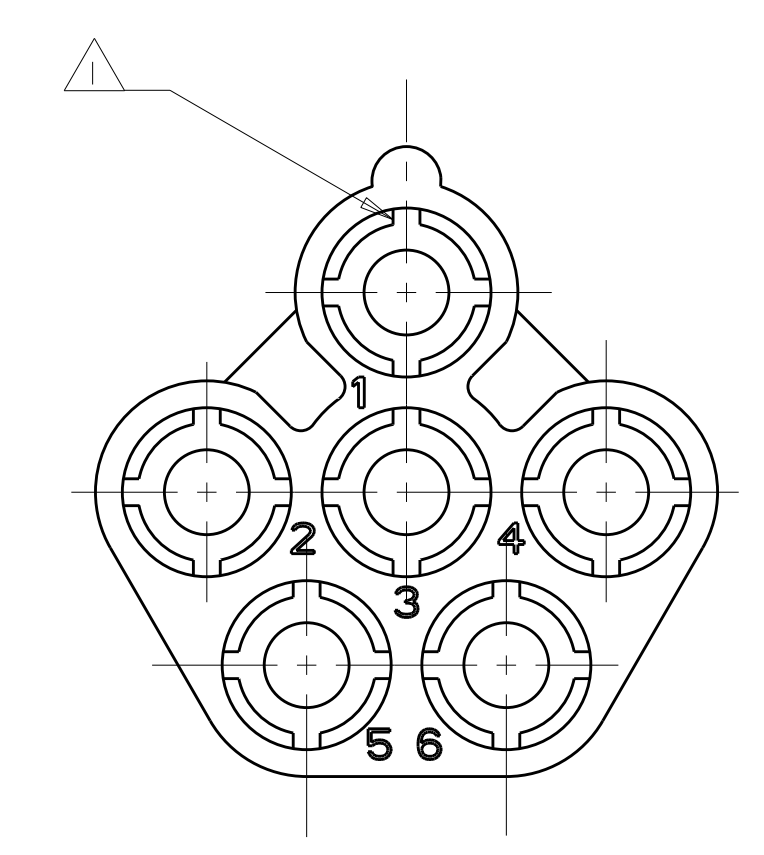
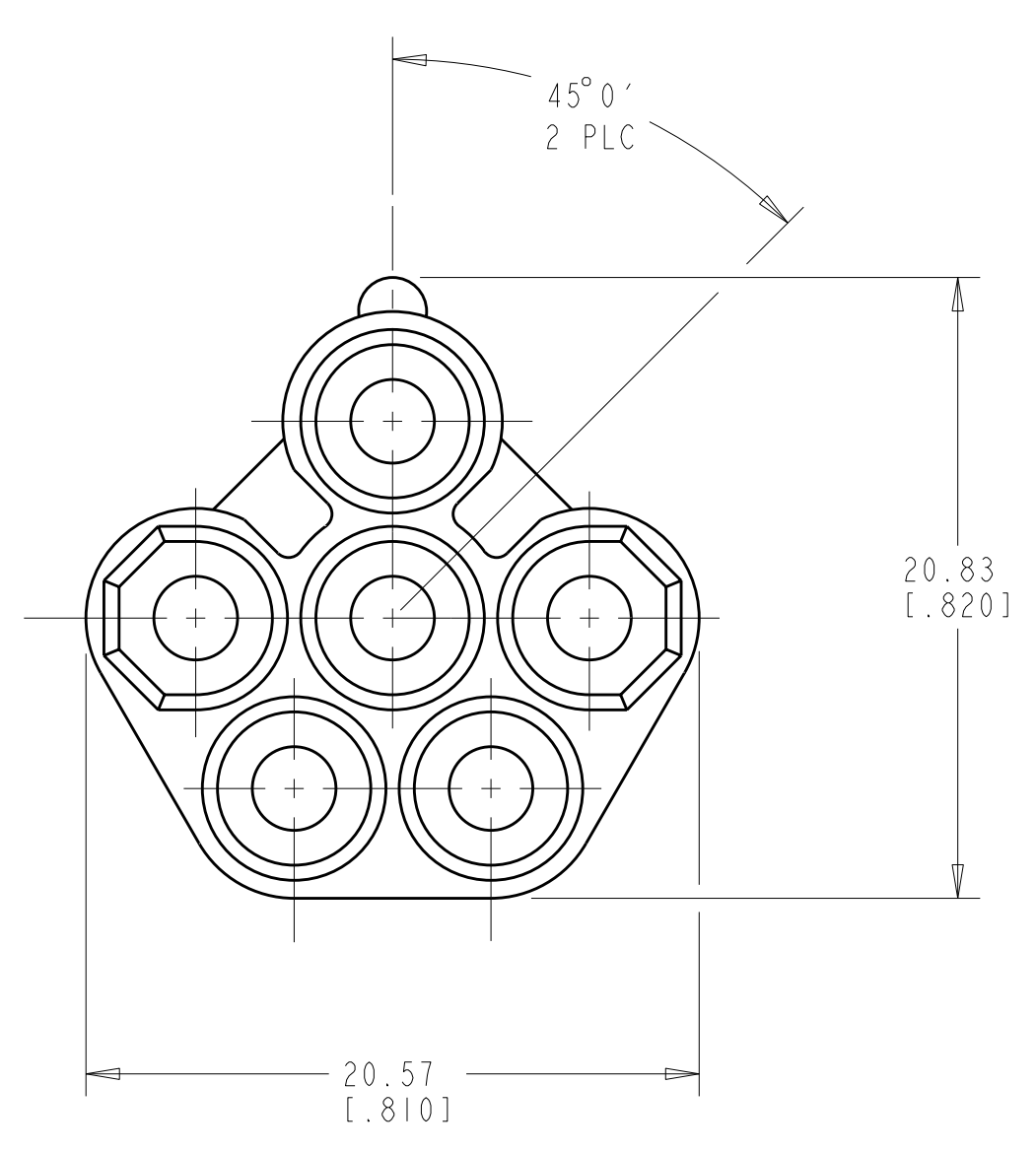
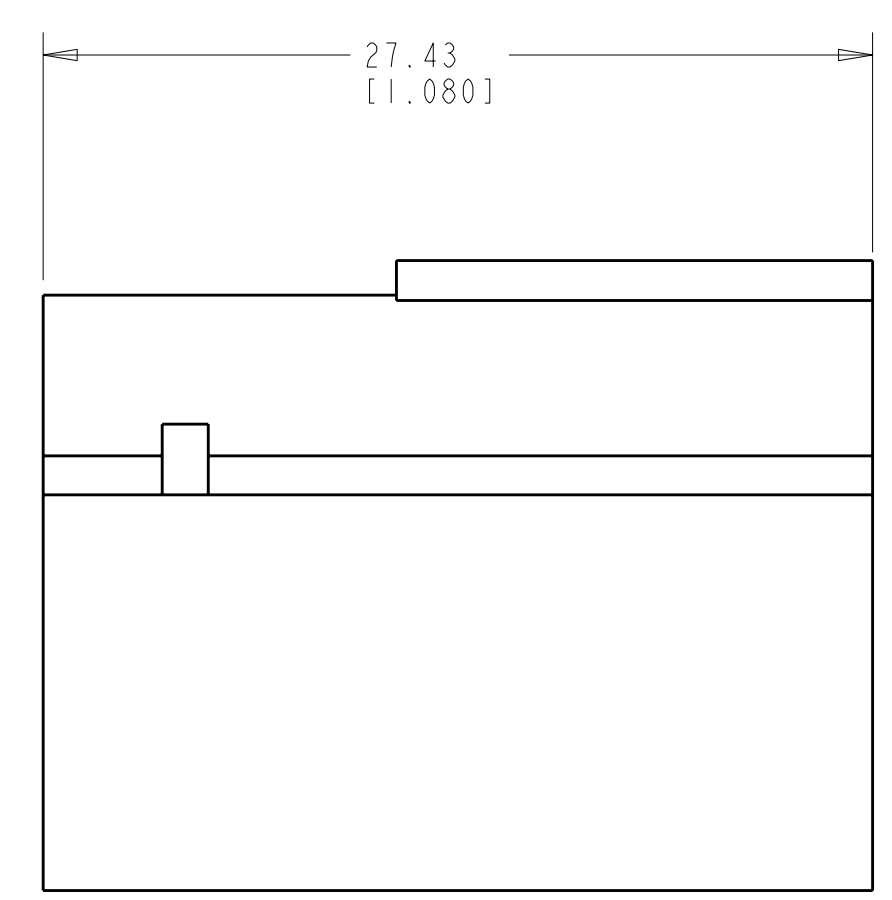
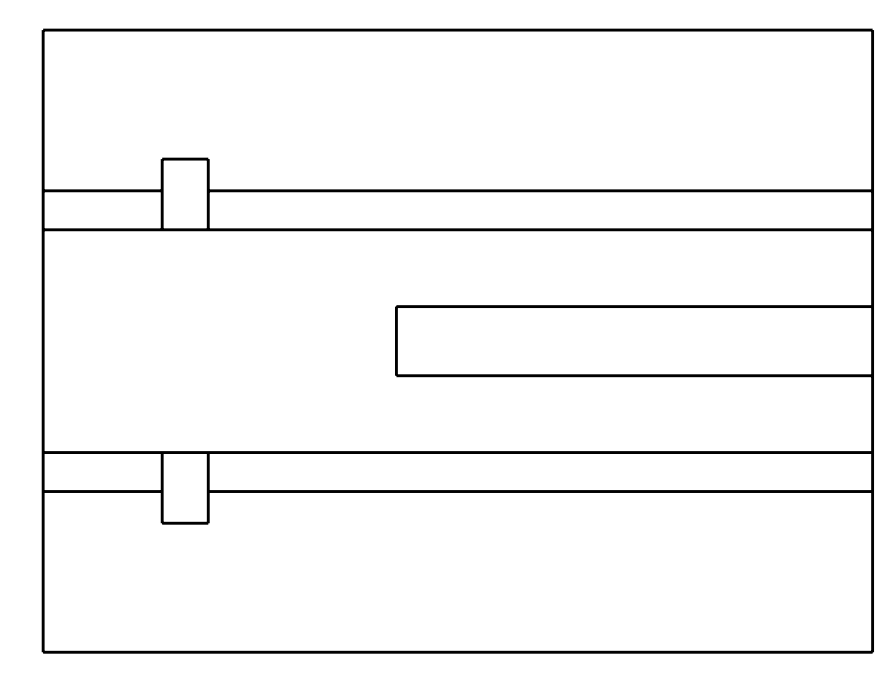
[Email or Chat With Us](#)  
[Find a Phone Number](#)  
[Knowledge Base](#)  
[Manage Your Account](#)

**Keep Me Informed**



LOC	DIST	REVISIONS			
P	LTB	DESCRIPTION	DATE	DWN	APVD
B		REVISED PER 063B-0556-01	15-OCT-01	KW	SR
B1		REVISED PER ECO-07-001375	18JAN2007	KW	DC

FOUR RIBS EQUALLY SPACED, NO SPECIFIC ORIENTATION.



3-DIMENSIONAL MODEL  
SCALE 4:1

VOLUME	COLOR	PART NUMBER
0.218 IN <sup>3</sup>	BLACK	794912-9
0.218 IN <sup>3</sup>	GRAY	794912-8
0.218 IN <sup>3</sup>	BROWN	794912-7
0.218 IN <sup>3</sup>	BLUE	794912-6
0.218 IN <sup>3</sup>	GREEN	794912-5
0.218 IN <sup>3</sup>	YELLOW	794912-4
0.218 IN <sup>3</sup>	ORANGE	794912-3
0.218 IN <sup>3</sup>	RED	794912-2
0.218 IN <sup>3</sup>	NATURAL	794912-1

DIMENSIONS: mm [ INCHES ]		TOLERANCES UNLESS OTHERWISE SPECIFIED: 9 PLC ± 1 PLC ± 2 PLC ±0.131 (0.005) 3 PLC ± 4 PLC ± ANGLES ±		DWN: 23-MAR-2001 CHK: WHITAKER S. RIDGILL APVD: 23-MAR-2001 S. RIDGILL		AMP Incorporated Harrisburg, PA 17105-3608	
MATERIAL: NYLON, UL 94V-2		FINISH:		PRODUCT SPEC:		NAME: CAP, CIRCULAR, 6 CIRCUIT, UNIVERSAL MATE-N-LOK(TM)	
CUSTOMER DRAWING		WEIGHT:		SIZE: CAGE CODE: DRAWING NO: A1100779 C=794912		RESTRICTED TO:	
SCALE: 4:1		SHEET: 1 OF 1		REV: B1		Tjco Electronics	

