



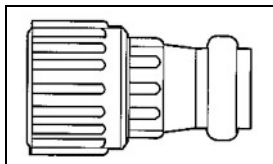
Have a Question?
 Chat with a Product
 Information Specialist

What can we help you find?

[Products](#) |
 [Industries](#) |
 [Resources](#) |
 [About TE](#) |
 [My Account](#) |
 [Innovation](#) |
 [Support Center](#)

213652-1 Product Details

[Share](#) |
 [Print](#) |
 [Email](#)



213652-1

TE Internal Number: 213652-1

Active

[View 3D PDF](#)

CPC (Circular Plastic) and Circular Metal-Shell Connectors

Always EU RoHS/ELV Compliant (Statement of Compliance)

Product Highlights:

- Housing
- Connector Style = Plug
- 14 Positions
- 14 Signal Positions
- 0 Power Positions

[View all Features](#)

Quick Links

- ▶ [Pricing & Availability](#)
- ▶ [Search for Tooling](#)
- ▶ [View Mating Products \(1\)](#)
- ▶ [Product Feature Selector](#)
- ▶ [Contact Us About This Product](#)

[Add to My Part List](#) |
 [Request Sample](#) |
 [Find Similar Products](#) |
 [Buy Product](#)

| Documentation & Additional Information | |
|--|--|
| <p>Product Drawings:</p> <ul style="list-style-type: none"> • PLUG KIT, UNASSEMBLED, 20-14 ARR, STD SEX, CPC (PDF, English) <p>Catalog Pages/Data Sheets:</p> <ul style="list-style-type: none"> • None Available <p>Product Specifications:</p> <ul style="list-style-type: none"> • None Available <p>Application Specifications:</p> <ul style="list-style-type: none"> • None Available <p>Instruction Sheets:</p> <ul style="list-style-type: none"> • None Available <p>CAD Files: (CAD Format & Compression Information)</p> <ul style="list-style-type: none"> • 2D Drawing (DXF, Version D) • 3D Model (IGES, Version D) • 3D Model (STEP, Version D) | <p>Related Products:</p> <ul style="list-style-type: none"> • Tooling • Mating Products (1) |

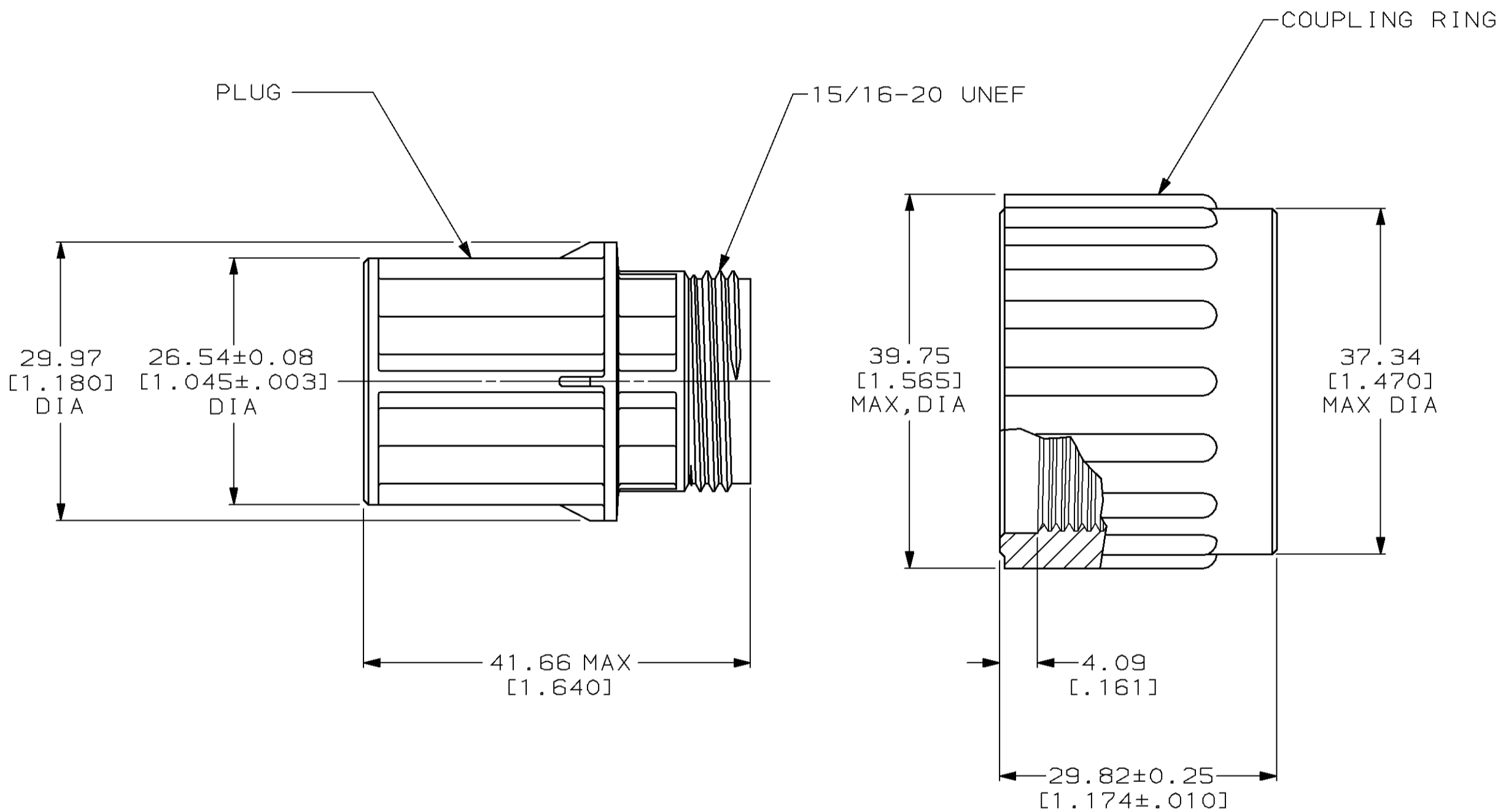
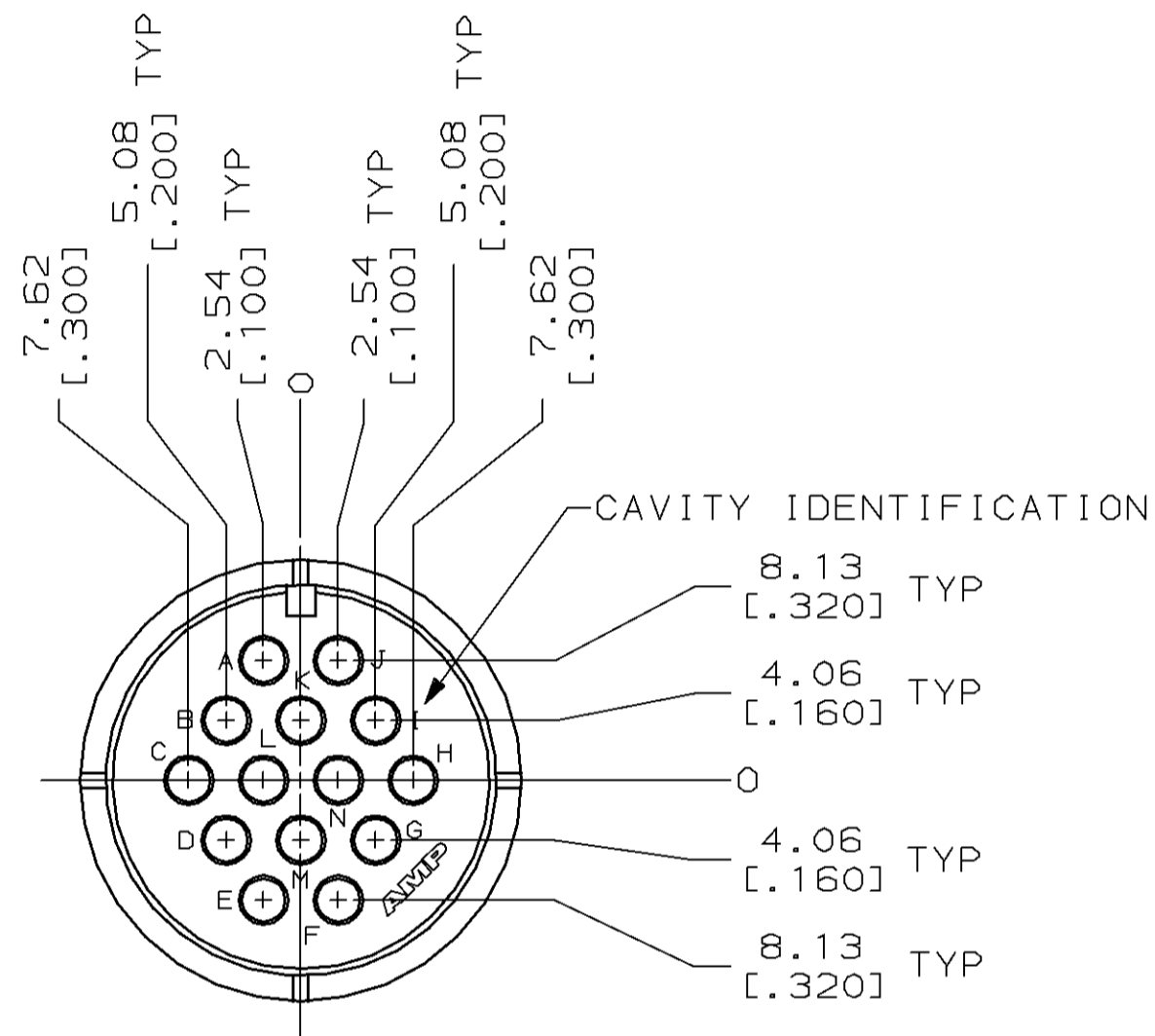
[List all Documents](#)

| Product Features (Please use the Product Drawing for all design activity) | |
|--|---|
| <p>Product Type Features:</p> <ul style="list-style-type: none"> • Connector Type = Housing • Mount Angle = Straight • Shell Size = 20 • Shell Type = All Plastic • Product Series = MIL-C-5015 • Thread Size = 15/16-20 UNEF-2A • Sealed = No <p>Mechanical Attachment:</p> <ul style="list-style-type: none"> • Mount = Free Hanging • Mating Retention Type = Threaded Coupling <p>Contact Features:</p> <ul style="list-style-type: none"> • Contact Type = Socket • Reverse Gender = Standard <p>Housing Features:</p> <ul style="list-style-type: none"> • Connector Style = Plug • Mating Alignment Type = Keyed • Housing Material = Polyamide - GF • Housing Color = Black | <p>Configuration Features:</p> <ul style="list-style-type: none"> • Number of Positions = 14 • Number of Signal Positions = 14 • Number of Power Positions = 0 • Environmental Protection = Without <p>Industry Standards:</p> <ul style="list-style-type: none"> • VDE Tested = No • RoHS/ELV Compliance = RoHS compliant, ELV compliant • Lead Free Solder Processes = Not relevant for lead free process • RoHS/ELV Compliance History = Always was RoHS compliant <p>Environmental:</p> <ul style="list-style-type: none"> • Fluid Resistance = None <p>Other:</p> <ul style="list-style-type: none"> • Brand = AMP |

THIS DRAWING IS UNPUBLISHED. RELEASED FOR PUBLICATION, 19 .
 © COPYRIGHT 19 BY AMP INCORPORATED. ALL INTERNATIONAL RIGHTS RESERVED.

| MOD | LOC | DIST | P | F | REVISIONS | | | | |
|-----|-----|------|---|---|-----------|-----|------------------------------------|----------|------|
| | | | | | ZONE | LTR | DESCRIPTION | DATE | APPD |
| 4 | BD | 35 | | | O | | RLSE PER NPR 3280, WAS 90-5029-3-2 | 01/18/91 | KB |
| | | | | | A | | REVISED PER ECN BD6148 | 04/21/92 | KB |
| | | | | | B | | REV PER EC 0020-299-93 | 04/07/93 | RW |
| | | | | | C | | REV PER EC 0020-155-94 | 03/10/94 | AF |
| | | | | | D | | REV PER EC 0020-0740-94 | 07/13/94 | AF |

1. PLUG MATES WITH PRODUCT DESIGNED TO MIL SPEC 5015.
2. PLUG ACCEPTS TYPE III+ SOCKET CONTACTS.
3. PARTS BULK PACKAGED.



| | | | | | |
|---|--|-------------------------------|--|---|--|
| DO NOT SCALE PRINT. UNLESS SPECIFIED DIMENSIONS IN mm [INCHES] TOLERANCES ON : 2 PLC DEC ± 0.13 [0.005] 3 PLC DEC ± - ANGLES ± - | | DR 01/18/91 L.SIPE | | AMP Incorporated Harrisburg, PA 17105-3608 | |
| MATERIAL POLYAMID, BLACK | | CHK 1-31-91 R.STONE | | | |
| FINISH - | | APPD 1-31-91 K.BEAVER | | NAME PLUG KIT, UNASSEMBLED, 20-14 ARR, STD SEX, CPC | |
| | | APPD 1-31-91 J.FULPONI | | SIZE C 00779 | |
| | | PRODUCT SPEC 108-10024 | | DRAWING NO 213652 | |
| | | APPLICATION SPEC 114-10004 | | SCALE 2:1 | |
| | | WEIGHT - | | SHEET 1 OF 1 | |

CUSTOMER DRAWING