

213571-2 Product Details

[Share](#) [Print](#) [Email](#)




213571-2

TE Internal Number: 213571-2

 Active

[View 3D PDF](#)

CPC (Circular Plastic) and Circular Metal-Shell Connectors

 Always EU RoHS/ELV Compliant
(Statement of Compliance)

Product Highlights:

- Housing
- Connector Style = Plug
- 14 Positions
- 14 Signal Positions
- 0 Power Positions

[View all Features](#)

Quick Links

- ▶ [Pricing & Availability](#)
- ▶ [Search for Tooling](#)
- ▶ [View Mating Products \(2\)](#)
- ▶ [Product Feature Selector](#)
- ▶ [Contact Us About This Product](#)

[Add to My Part List](#)

[Request Sample](#)

[Find Similar Products](#)

[Buy Product](#)

Documentation & Additional Information

Product Drawings:

- [PLUG KIT, UNASSEMBLED, REVERSE SEX, 20-14 ARR, CPC \(PDF, English\)](#)

Catalog Pages/Data Sheets:

- None Available

Product Specifications:

- None Available

Application Specifications:

- None Available

Instruction Sheets:

- None Available

CAD Files: (CAD Format & Compression Information)

- [2D Drawing \(DXF, Version F\)](#)
- [3D Model \(IGES, Version F\)](#)
- [3D Model \(STEP, Version F\)](#)

[List all Documents](#)

Related Products:

- [Tooling](#)
- [Mating Products \(2\)](#)

Product Features (Please use the Product Drawing for all design activity)

Product Type Features:

- Connector Type = Housing
- Mount Angle = Straight
- Shell Size = 20
- Shell Type = All Plastic
- Product Series = MIL-C-5015
- Thread Size = 15/16-20 UNEF-2A
- Sealed = No

Mechanical Attachment:

- Mount = Free Hanging
- Mating Retention Type = Threaded Coupling

Contact Features:

- Contact Type = Pin
- Reverse Gender = Reverse

Configuration Features:

- Number of Positions = 14
- Number of Signal Positions = 14
- Number of Power Positions = 0
- Environmental Protection = Without

Industry Standards:

- VDE Tested = No
- RoHS/ELV Compliance = RoHS compliant, ELV compliant
- Lead Free Solder Processes = Not relevant for lead free process
- RoHS/ELV Compliance History = Always was RoHS compliant

Environmental:

- Fluid Resistance = None

Housing Features:

- [Connector Style](#) = Plug
- Mating Alignment Type = Keyed
- Housing Material = Polyamide - GF
- Housing Color = Black

Other:

- Brand = AMP

Corporate Information

[About TE](#)
[Investors](#)
[News Room](#)
[Supplier Portal](#)
[Careers](#)
[Terms & Conditions](#)
[Privacy Policy](#)

Quick Links

[Distributor Inventory](#)
[Product Cross Reference](#)
[Documents & Drawings](#)
[Product Compliance Support Center](#)
[Site Map](#)

Customer Support

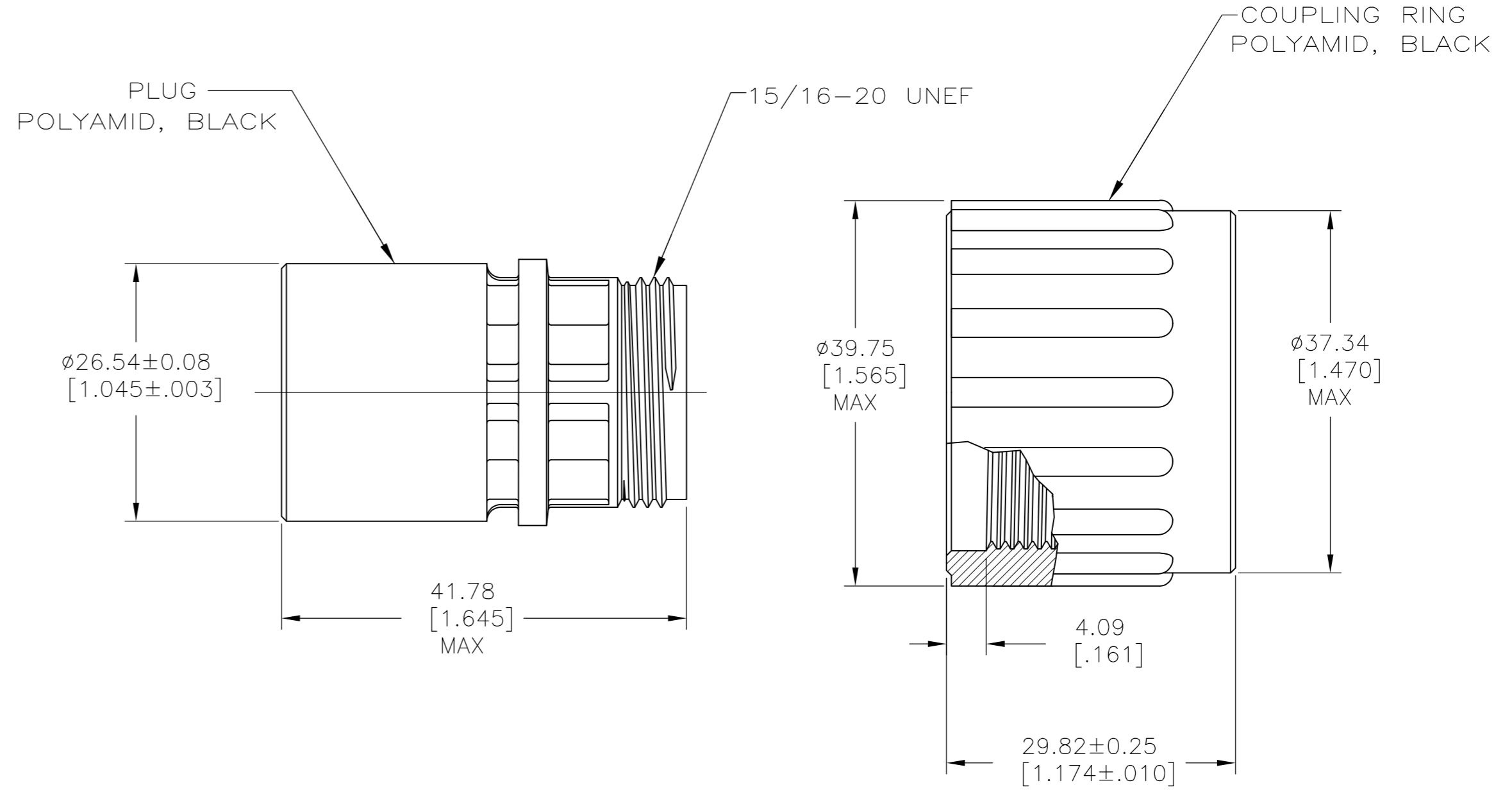
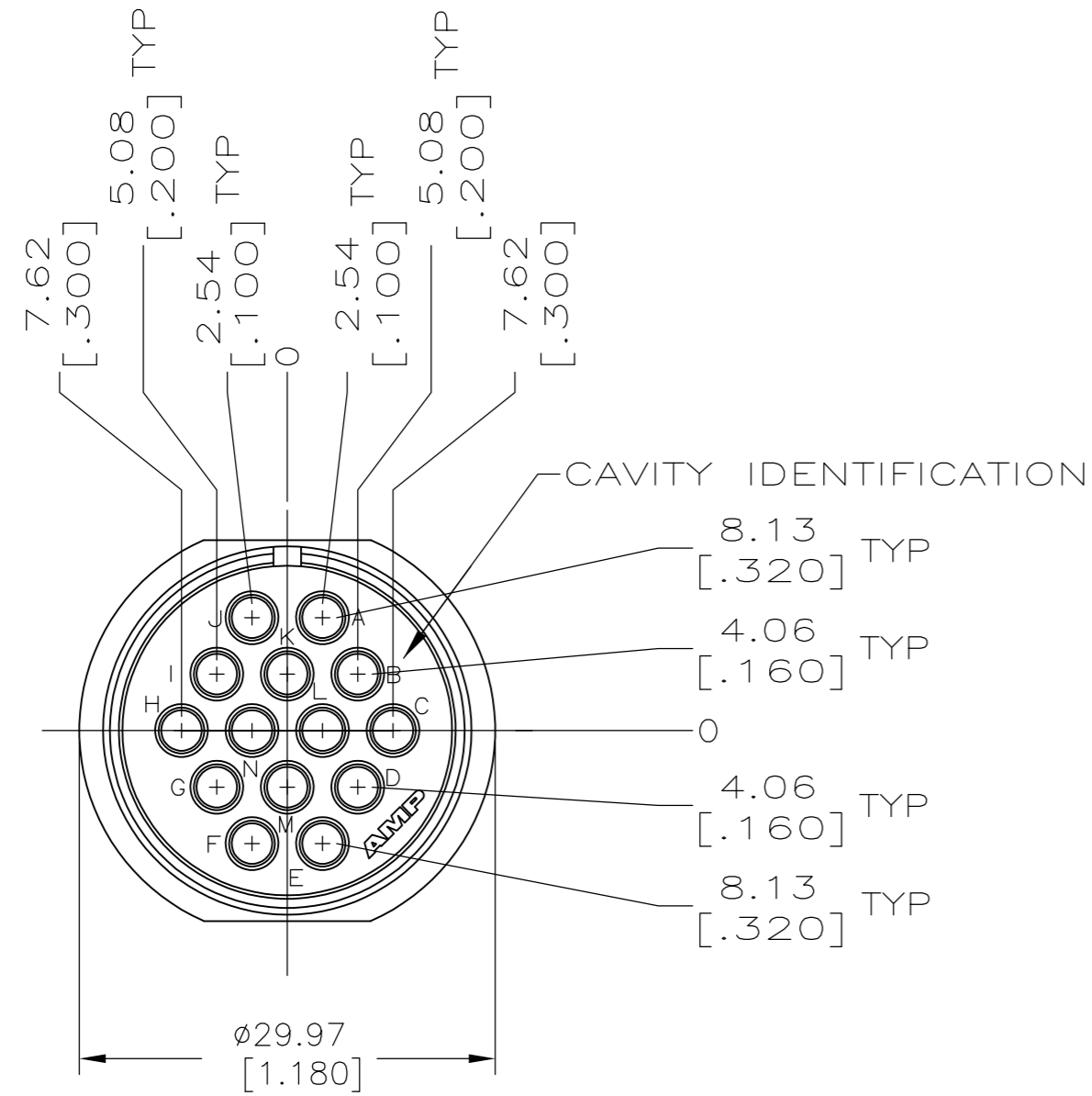
[Email or Chat With Us](#)
[Find a Phone Number](#)
[Knowledge Base](#)
[Manage Your Account](#)

Keep Me Informed

THIS DRAWING IS UNPUBLISHED. RELEASED FOR PUBLICATION
 © COPYRIGHT BY TYCO ELECTRONICS CORPORATION. ALL INTERNATIONAL RIGHTS RESERVED.

LOC	DIST	REVISIONS			
P	LTR	DESCRIPTION	DATE	DWN	APVD
BD	35				
		D	REDRAWN PER ECO-09-000587	15JAN09	HMR MS

- 1 PLUG MATES WITH RECEPTACLE, AMP PART NO 213570-1.
- 2 PLUG ACCEPTS TYPE III+ PIN CONTACTS, AMP PART NO 66597-6.
- 3 PARTS BULK PACKAGED.
- 4 PLUG MATES WITH PRODUCT DESIGNED TO MIL SPEC 5015.



AS SHOWN	213571-2
OBSOLETE	213571-1
PART NO	

THIS DRAWING IS A CONTROLLED DOCUMENT.		DWN RAGHAVENDRA 15JAN09	Tyco Electronics Corporation Harrisburg, PA 17105-3608	
DIMENSIONS: mm [INCHES]		CHK SARVER MICHAEL 15JAN09	NAME PLUG KIT, UNASSEMBLED, REVERSE SEX, 20-14 ARR, CPC	
TOLERANCES UNLESS OTHERWISE SPECIFIED:		APVD SARVER MICHAEL 15JAN09	SIZE A2	CAGE CODE 00779
0 PLC ± -	1 PLC ± -	PRODUCT SPEC -	DRAWING NO C=213571	RESTRICTED TO -
2 PLC ± 0.13 [.005]	3 PLC ± -	APPLICATION SPEC -	SCALE 2:1	SHEET 1 OF 1
4 PLC ± -	ANGLES ± -	WEIGHT -	CUSTOMER DRAWING	REV D
MATERIAL SEE CALLOUTS	FINISH -			