



Have a Question?
 Chat with a Product Information Specialist

What can we help you find?

[Products](#) [Industries](#) [Resources](#) [About TE](#) [My Account](#) [Innovation](#) [Support Center](#)

332215 Product Details

[Share](#) [Print](#) [Email](#)



332215

TE Internal Number: 332215

Active

Twin BNC RF Connectors

Not EU RoHS or ELV Compliant (Find RoHS Compliant Alternates)

Product Highlights:

- Adapter
- Jack
- With Panel Mount Retention
- Silver Body Plating
- Fluoropolymer Dielectric Material

[View all Features](#)

Quick Links

- ▶ [Pricing & Availability](#)
- ▶ [Search for Tooling](#)
- ▶ [Product Feature Selector](#)
- ▶ [Contact Us About This Product](#)

[Add to My Part List](#) [Request Sample](#) [Find Similar Products](#) [Buy Product](#)

Documentation & Additional Information	
<p>Product Drawings:</p> <ul style="list-style-type: none"> • ADAPTER,SERIES TWIN BNC, FEED-THRU JACK (PDF, English) <p>Catalog Pages/Data Sheets:</p> <ul style="list-style-type: none"> • None Available <p>Product Specifications:</p> <ul style="list-style-type: none"> • None Available <p>Application Specifications:</p> <ul style="list-style-type: none"> • None Available <p>Instruction Sheets:</p> <ul style="list-style-type: none"> • None Available <p>CAD Files:</p> <ul style="list-style-type: none"> • None Available 	<p>Related Products:</p> <ul style="list-style-type: none"> • Tooling

[List all Documents](#)

Product Features (Please use the Product Drawing for all design activity)	
<p>Product Type Features:</p> <ul style="list-style-type: none"> • Product Type = Adapter • Gender = Jack • Dielectric Material = Fluoropolymer <p>Mechanical Attachment:</p> <ul style="list-style-type: none"> • Panel Mount Retention = With • Panel Mount Retention Type = Bulkhead <p>Dimensions:</p> <ul style="list-style-type: none"> • Panel Thickness (mm [in]) = 3.18 [0.125] 	<p>Body Features:</p> <ul style="list-style-type: none"> • Body Plating = Silver <p>Contact Features:</p> <ul style="list-style-type: none"> • Center Contact Plating = Silver <p>Industry Standards:</p> <ul style="list-style-type: none"> • RoHS/ELV Compliance = Not ELV/RoHS compliant • Lead Free Solder Processes = Not relevant for lead free process <p>Other:</p> <ul style="list-style-type: none"> • Brand = AMP

Corporate Information

- [About TE](#)
- [Investors](#)
- [News Room](#)
- [Supplier Portal](#)
- [Careers](#)
- [Terms & Conditions](#)
- [Privacy Policy](#)
- [AODA Accessibility Policy](#)
- [AODA Multi-Year Accessibility Plan](#)

Quick Links

- [Distributor Inventory](#)
- [Product Cross Reference](#)
- [Documents & Drawings](#)
- [Product Compliance Support Center](#)
- [Site Map](#)

Customer Support

- [Email or Chat With Us](#)
- [Find a Phone Number](#)
- [Knowledge Base](#)
- [Manage Your Account](#)

Keep Me Informed

4

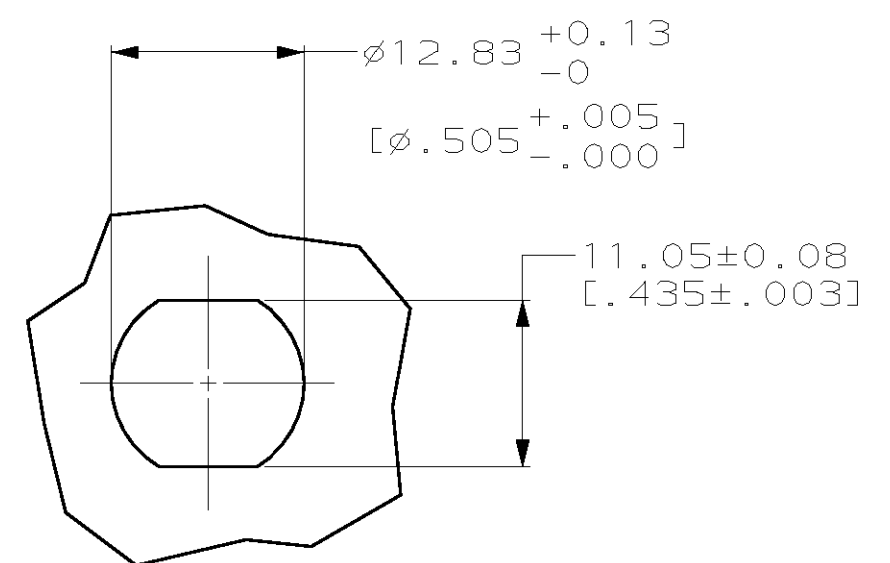
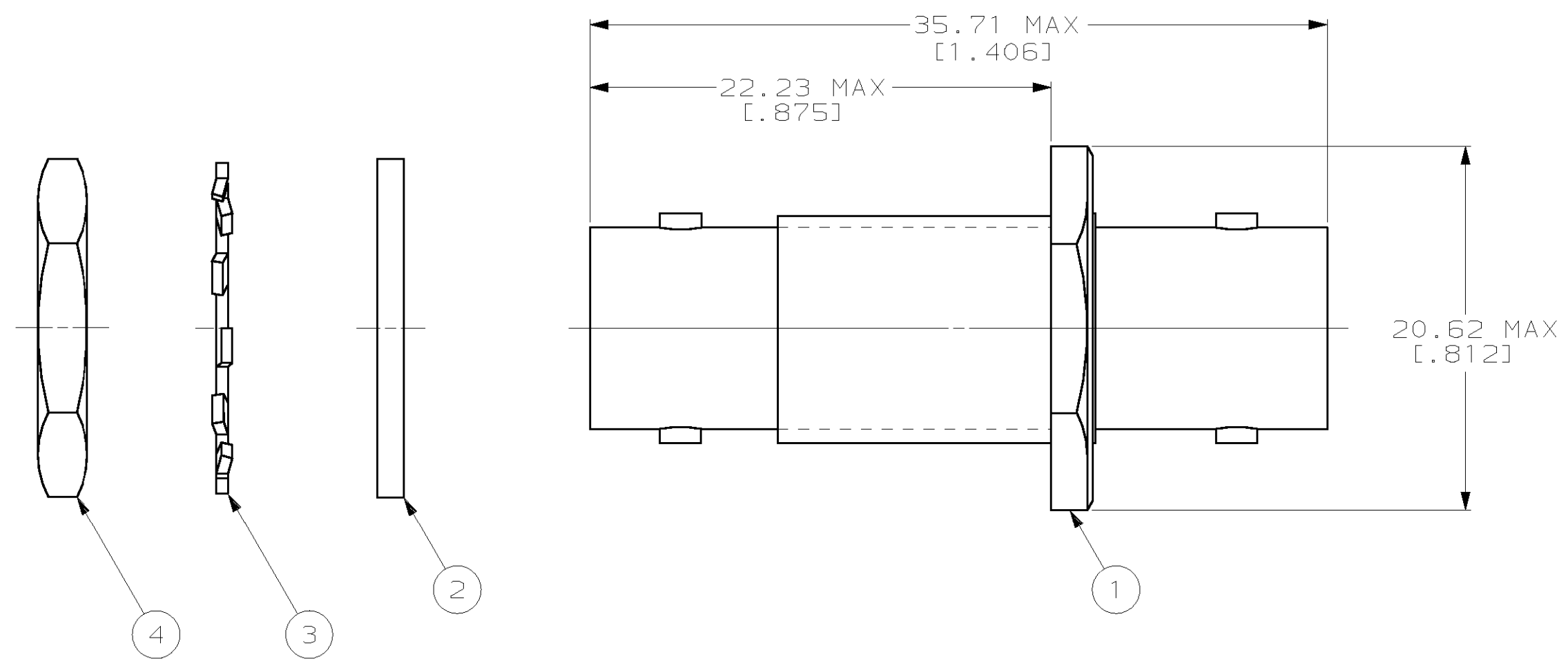
3

2

1

THIS DRAWING IS UNPUBLISHED. RELEASED FOR PUBLICATION ,19 .
© COPYRIGHT 19 BY AMP INCORPORATED. ALL RIGHTS RESERVED.

LOC	DIST	REVISIONS		
AJ	16	P	LTR	DESCRIPTION
		C		REV PER 0U20-0200-01
				DATE
				04APR01
				DWN
				MO
				APVD
				JL



MAXIMUM PANEL THICKNESS: 3.18 [.125]

SUGGESTED PANEL CUT-OUT
SCALE 2:1

329631	329632	329633	332213	332215
JAM NUT	LOCKWASHER	GASKET	ADAPTOR ASSY	PART NUMBER
④ QTY=1	③ QTY=1	② QTY=1	① QTY=1	

THIS DRAWING IS A CONTROLLED DOCUMENT.		DWN M. OBRINE 06JUL99	AMP AMP Incorporated Harrisburg, PA 17105-3608
DIMENSIONS: mm [INCHES]		CHK J. HAVENER 06JUL99	
TOLERANCES UNLESS OTHERWISE SPECIFIED:		APVD J. HAVENER 06JUL99	
MATERIAL		PRODUCT SPEC	NAME ADAPTER, SERIES TWIN BNC, FEED-THRU JACK
FINISH		APPLICATION SPEC	SIZE A3
		WEIGHT	CAGE CODE 00779
		CUSTOMER DRAWING	DRAWING NO C-332215
			SCALE 4:1
			SHEET 1 OF 1
			REV C