



**Have a Question?**  
 Chat with a Product Information Specialist

What can we help you find?

[Products](#) [Industries](#) [Resources](#) [About TE](#) [My Account](#) [Innovation](#) [Support Center](#)

**225395-8 Product Details**

[Share](#) [Print](#) [Email](#)



**225395-8**

TE Internal Number: 225395-8  
 Active

[View 3D PDF](#)

**BNC RF Connectors**

[Not EU RoHS or ELV Compliant \(Find RoHS Compliant Alternates\)](#)

**Product Highlights:**

- Connector - RF
- Plug
- Connector Style = Plug
- Applies To Coaxial Cable
- Coaxial Cable Termination Type = Crimp

[View all Features](#)

**Quick Links**

- ▶ [Pricing & Availability](#)
- ▶ [Search for Tooling](#)
- ▶ [Product Feature Selector](#)
- ▶ [Contact Us About This Product](#)

[Add to My Part List](#) [Request Sample](#) [Find Similar Products](#) [Buy Product](#)

**Documentation & Additional Information**

**Product Drawings:**

- [PLUG DUAL CRIMP, BNC \(PDF, English\)](#)

**Catalog Pages/Data Sheets:**

- None Available

**Product Specifications:**

- [BNC Series Coaxial Connectorj Dual Crimp Type \(PDF, English\)](#)

**Application Specifications:**

- None Available

**Instruction Sheets:**

- [COAXICON 50-Ohm RF Series BNC Plug Connectors 225395... \(PDF, English\)](#)

**CAD Files: (CAD Format & Compression Information)**

- [2D Drawing \(DXF, Version AF2\)](#)
- [3D Model \(IGES, Version AF2\)](#)
- [3D Model \(STEP, Version AF2\)](#)

**Related Products:**

- [Tooling](#)

[List all Documents](#)

**Product Features (Please use the Product Drawing for all design activity)**

**Product Type Features:**

- [Product Type](#) = Connector - RF
- [Gender](#) = Plug
- [Grade](#) = Military
- [Sealed](#) = No
- [Isolated](#) = No
- [Dielectric Material](#) = Fluoropolymer
- [Coupling Nut Material](#) = Brass

**Mechanical Attachment:**

- [Surface Mountable](#) = No
- [Hardware Included](#) = No
- [Panel Mount Retention](#) = Without

**Electrical Characteristics:**

- [Connector Impedance \(Ω\)](#) = 50

**Termination Features:**

- [Coaxial Cable Termination Type](#) = Crimp
- [Crimp Type](#) = Dual

**Body Features:**

- [Body Style](#) = Straight
- [Body Plating](#) = Nickel
- [Body Insulation](#) = Without
- [Polarized](#) = No

**Contact Features:**

- [Center Contact Material](#) = Brass
- [Center Contact Plating](#) = Gold

**Housing Features:**

- [Connector Style](#) = Plug

**Configuration Features:**

- [Coaxial Cable Type \(RG/U or Mfg.\)](#) = 179, 187
- [Number of Ports](#) = 1
- [Solder Terminal](#) = Without

**Industry Standards:**

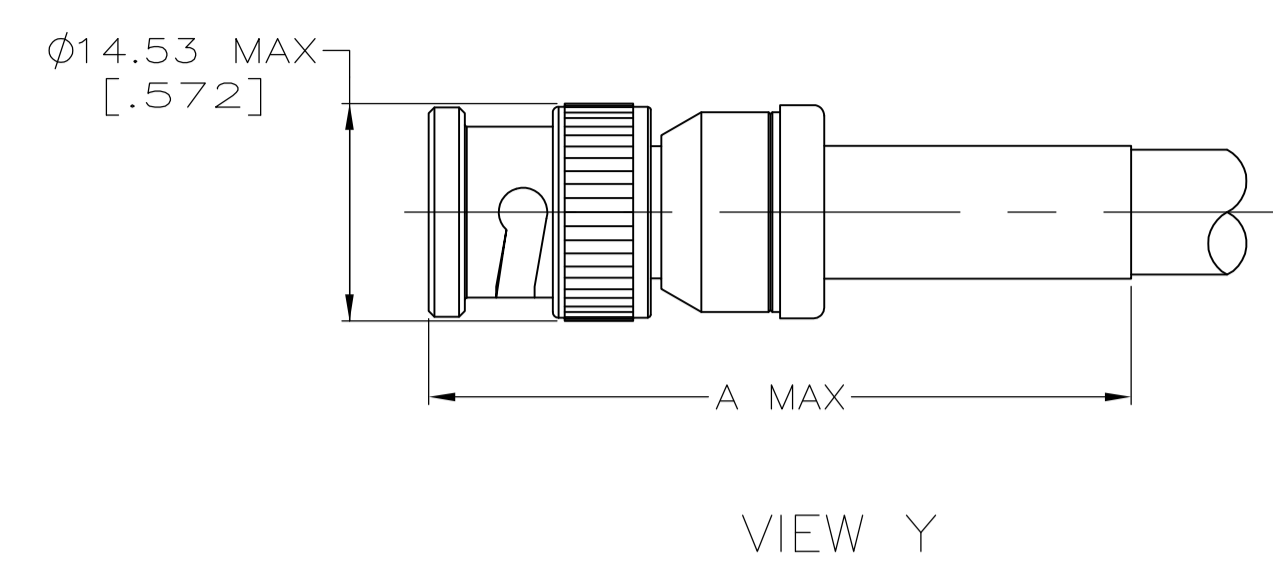
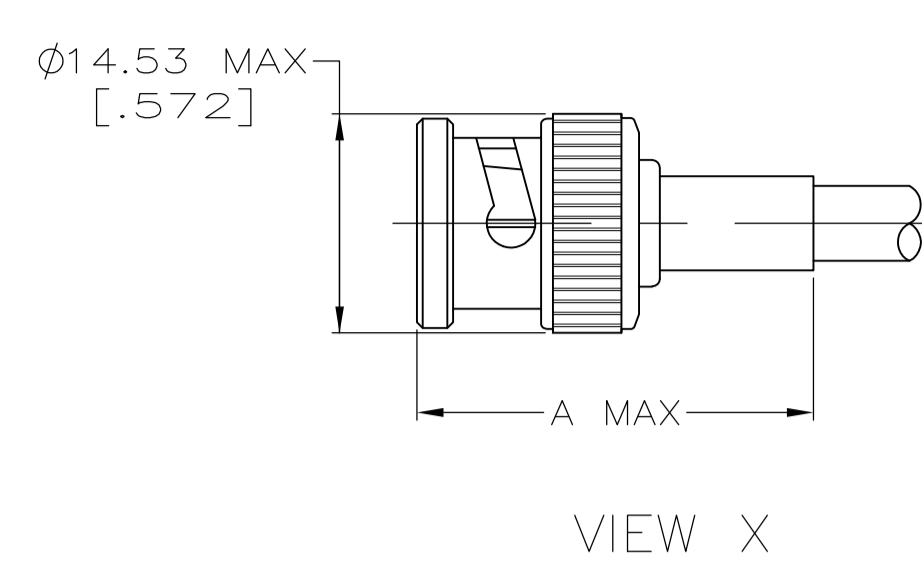
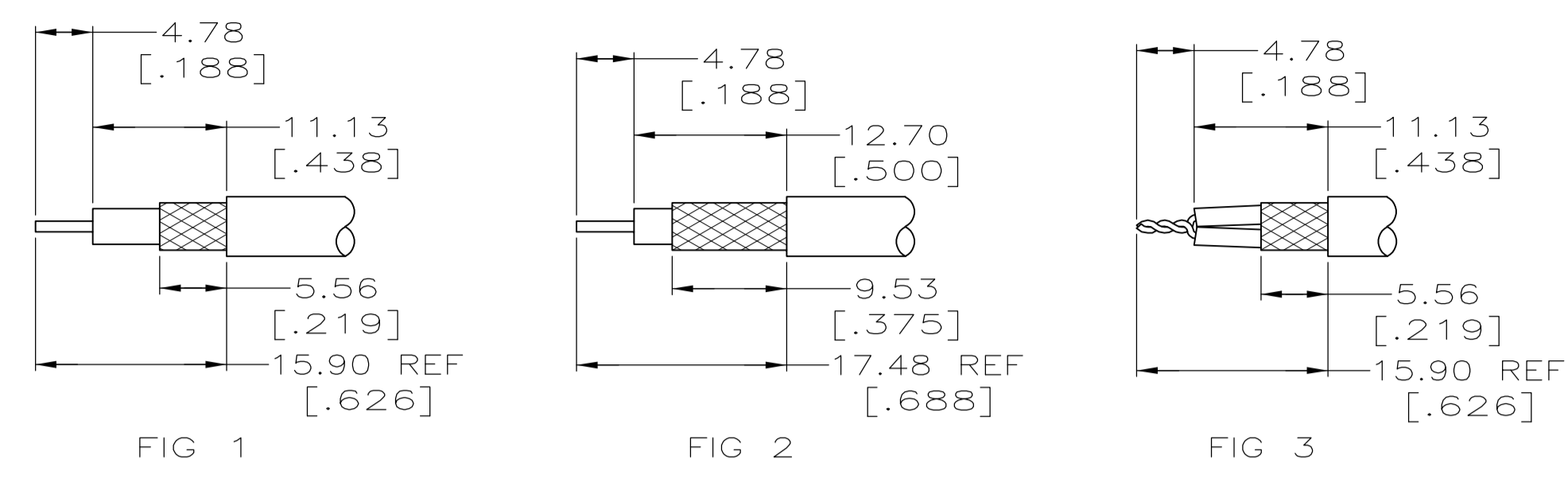
- [Government/Industry Qualification](#) = No
- [RoHS/ELV Compliance](#) = Not ELV/RoHS compliant
- [Lead Free Solder Processes](#) = Not relevant for lead free process

**Conditions for Usage:**

- [Applies To](#) = Coaxial Cable

**Other:**

- [Brand](#) = AMP



1. SEE I.S. 1914-1
2. SEE SEPARATE RESTRICTED CUSTOMER DRAWING WITH THIS PART NUMBER
3. CRIMP ITEM 3 ONLY
4. USE CRIMP TOOL WITH DIE SET 220189-1
5. BULK PACKAGED
6. SPECIAL PRINTED PACKAGING
7. TRIM FILLER RODS BACK TO OUTER JACKET
8. REMOVE FOIL TO OUTER JACKET
9. OBSOLETE PARTS: OBSOLETE CIS STREAMLINING PER D.RENAUD/D.SINISI

RECOMMENDED STRIP LENGTH

DESCRIPTION	QTY	FIGURE	CRIMP TOOL	A	6	5	4	3	2	1	VIEW	PART NUMBER	
SUPERSEDED BELDEN 8212	1	69477-1	30.94	[1.218]	-	-	-	-	9-50428-0	1-331352-7	9-331349-4	X	9-225395-6
OBSOLETE RG-180/U, 180A/U, 195/U	1	69477-2	30.94	[1.218]	-	-	-	-	9-329461-0	1-331352-4	9-331349-5	X	9-225395-5
SUPERSEDED RG-179/U, 187/U	1	220009-1	30.94	[1.218]	-	-	21427-2	9-328666-0	1-331352-4	9-331349-5	X	9-225395-4	
SUPERSEDED RG-174/U, 188/U	1	220009-1	30.94	[1.218]	-	-	21427-2	9-328666-0	1-331352-2	9-331349-5	X	9-225395-3	
SUPERSEDED RG-142/U, 142A/U, 142B/U	1	69478-1	30.94	[1.218]	-	-	-	9-329099-0	1-331357-4	9-331349-3	X	9-225395-2	
SUPERSEDED RG-59/U, 59A/U, 59B/U, 62/U, 62A/U, 62B/U	1	69477-1	30.94	[1.218]	-	-	-	9-50428-0	2-331352-3	9-331349-4	X	9-225395-1	
SUPERSEDED RG-58/U, 58A/U, 58B/U, 58C/U	1	69478-1	30.94	[1.218]	-	-	-	9-50427-1	1-331357-3	9-331349-3	X	9-225395-0	
OBSOLETE -	-	-	-	-	-	-	-	-	-	-	-	-	6-225395-7
OBSOLETE RG-179/U, 187/U	1	220009-1	30.94	[1.218]	-	-	21427-2	9-328666-0	1-331352-4	3-331349-1	X	6-225395-6	
SUPERSEDED BY 1-225395-0 AMPHENOL 21-597	1	69477-2	30.94	[1.218]	-	-	-	9-329461-0	1-331352-2	3-331349-1	X	6-225395-5	
OBSOLETE -	-	-	-	-	-	-	-	-	-	-	-	-	6-225395-4
SUPERSEDED BY 4-225395-1 -	-	-	-	-	-	-	-	-	-	-	-	-	6-225395-3
SUPERSEDED BY 4-225395-2 -	-	-	-	-	-	-	-	-	-	-	-	-	6-225395-2
SUPERSEDED BY 225395-2 -	-	-	-	-	-	-	-	-	-	-	-	-	6-225395-1
SUPERSEDED BY 225395-1 -	-	-	-	-	-	-	-	-	-	-	-	-	6-225395-0
SUPERSEDED BY 225395-2 RG-59/U, 59A/U, 59B/U, 62/U, 62A/U, 62B/U	1	69477-1	30.94	[1.218]	-	-	-	9-50428-0	2-331352-3	3-331349-0	X	5-225395-9	
SUPERSEDED BY 225395-2 RG-59/U, 59A/U, 59B/U, 62/U, 62A/U, 62B/U	1	69477-1	30.94	[1.218]	-	-	-	9-50428-0	2-331352-3	3-331349-0	X	5-225395-8	
OBSOLETE RG-122/U	1	69477-2	38.10	[1.500]	-	-	-	9-329461-2	1-331352-7	3-331349-1	X	5-225395-7	
OBSOLETE RG-188 DOUBLE BRAID	1	220009-1	30.94	[1.218]	-	-	21427-2	9-329049-0	1-331352-2	3-331349-1	X	5-225395-6	
OBSOLETE HEWLETT PACKARD DOUBLE BRAID	1	220190-1	30.94	[1.218]	-	-	-	9-50427-1	1-331352-2	3-331349-1	X	5-225395-5	
OBSOLETE NORTHROP AWG 20	1	220009-1	30.94	[1.218]	-	-	21427-2	9-328666-0	1-331352-6	3-331349-1	X	5-225395-4	
OBSOLETE TROMPETER TWC-124-2 (TWIN-AX)	3	220029-1	30.94	[1.218]	-	-	-	9-50428-0	1-331357-3	3-331349-0	X	5-225395-3	
OBSOLETE IBM 5431030	1	69477-2	30.94	[1.218]	-	-	226171-3	9-329049-1	1-331352-4	3-331349-9	X	5-225395-1	
OBSOLETE IBM 5431030	1	69477-2	30.94	[1.218]	-	-	226171-3	9-329049-1	2-331352-5	3-331349-9	X	4-225395-8	
OBSOLETE 1277-81-15-3 UNDERCARPET	1	220009-1	30.94	[1.218]	-	228134-2	21427-2	9-328666-0	2-331352-5	3-331349-1	X	4-225395-6	
OBSOLETE HI-TEMP RG-59/U, TIMES PL59, PLF59	1	69477-1	34.14	[1.344]	-	-	-	9-228784-0	1-331352-7	3-331349-0	X	4-225395-4	
SUPERSEDED BELDEN 88240, HI-TEMP RG-58/U, BERK-TEK BTDC 58	1	69478-1	34.14	[1.344]	-	-	-	9-228783-0	1-331357-3	2-331349-9	X	4-225395-2	
SUPERSEDED HI-TEMP RG-62A/U, TIMES PL62, BELDEN 88241, BERK-TEK BTDC 59 & 62	1	69477-1	34.14	[1.344]	-	-	-	9-228784-0	2-331352-3	3-331349-0	X	4-225395-1	
OBSOLETE BELDEN 9209	1	69477-1	30.94	[1.218]	-	-	-	9-50428-1	2-331352-3	3-331349-7	X	4-225395-0	
OBSOLETE BELDEN 9246	1	69477-2	30.94	[1.218]	-	-	226171-3	9-329461-0	2-331352-3	3-331349-1	X	3-225395-9	
SUPERSEDED BY 225395-2 RG-59/U, 62/U	1	69477-1	30.94	[1.218]	-	-	-	9-50428-0	2-331352-3	3-331349-6	X	3-225395-8	
OBSOLETE 1277-81-15-3 UNDERCARPET	1	220009-1	30.94	[1.218]	-	-	21427-2	9-328666-0	2-331352-5	3-331349-1	X	3-225395-7	
SUPERSEDED BY 225395-8 UNDERCARPET	1	220009-1	34.14	[1.344]	-	228134-2	21427-2	9-328666-0	1-331352-4	3-331349-1	X	3-225395-4	
OBSOLETE BELDEN 9266, 9100 (750)	1	69477-1	30.94	[1.218]	-	-	-	9-50428-1	1-331352-7	3-331349-1	X	3-225395-3	
OBSOLETE BELDEN 9248, 9114 (750)	1	69477-3	30.94	[1.218]	-	-	-	9-50427-0	2-331352-2	3-331349-4	X	3-225395-0	
SUPERSEDED BY 4-331350-0 BELDEN 8281, WECO 724	1	220043-1	34.14	[1.344]	-	-	-	9-331256-0	1-331352-7	3-331349-2	X	2-225395-9	
OBSOLETE RG-174/U, W/ $\phi$ .180 OUTER JACKET	1	69477-2	30.94	[1.218]	-	-	21427-2	9-329049-1	1-331352-2	3-331349-1	X	2-225395-7	
OBSOLETE RG-62A/U	1	69477-1	34.14	[1.344]	-	-	-	226568-2	1-331352-0	3-331349-0	X	2-225395-4	
OBSOLETE RG-180/U, 180A/U, 195/U W/BRAID DRAIN	1	69477-2	30.94	[1.218]	-	-	-	2-328664-1	1-331352-4	3-331349-1	X	2-225395-3	
OBSOLETE RG-8/U, 8A/U, 213/U	2	220015-1	48.01	[1.890]	-	-	-	9-51713-0	225596-2	225887-2	Y	2-225395-1	
SUPERSEDED BELDEN 8212	1	69477-1	30.94	[1.218]	-	-	-	9-50428-0	1-331352-7	3-331349-0	X	2-225395-0	
OBSOLETE -	-	-	-	-	-	-	-	-	-	-	-	-	1-225395-8
OBSOLETE -	-	-	-	-	-	-	-	-	-	-	-	-	1-225395-3
OBSOLETE -	-	-	-	-	-	-	-	-	-	-	-	-	1-225395-2
OBSOLETE BELDEN 8228	1	69477-3	30.94	[1.218]	-	-	-	9-332224-0	1-331352-6	3-331349-2	X	1-225395-1	
OBSOLETE AMPHENOL 21-597	1	69477-2	30.94	[1.218]	-	-	-	9-329461-0	1-331352-2	3-331349-1	X	1-225395-0	
SUPERSEDED RG-180/U, 180A/U, 195/U	1	69477-2	30.94	[1.218]	-	-	-	9-329461-0	1-331352-4	3-331349-1	X	225395-9	
RG-179/U, 187/U	1	220009-1	30.94	[1.218]	-	-	21427-2	9-328666-0	1-331352-4	3-331349-1	X	225395-8	
RG-174/U, 188/U	1	220009-1	30.94	[1.218]	-	-	21427-2	9-328666-0	1-331352-2	3-331349-1	X	225395-7	
RG-142/U, 142A/U, 142B/U	1	69478-1	30.94	[1.218]	-	-	-	9-329099-0	1-331357-4	2-331349-9	X	225395-6	
OBSOLETE RG-141/U, 141A/U	1	69478-1	30.94	[1.218]	-	-	-	9-50427-1	1-331357-4	2-331349-9	X	225395-5	
SUPERSEDED BY 2-331350-3 RG-71B/U	1	69477-1	30.94	[1.218]	-	-	-	1-329460-1	2-331352-3	3-331349-0	X	225395-4	
RG-55/U, 55A/U, 55B/U, 223/U	1	69478-1	30.94	[1.218]	-	-	-	9-329099-0	1-331357-3	2-331349-9	X	225395-3	
RG-59/U, 59A/U, 59B/U, 62/U, 62A/U, 62B/U	1	69477-1	30.94	[1.218]	-	-	-	9-50428-0	2-331352-3	3-331349-0	X	225395-2	
RG-58/U, 58A/U, 58B/U, 58C/U	1	69478-1	30.94	[1.218]	-	-	-	9-50427-1	1-331357-3	2-331349-9	X	225395-1	

THIS DRAWING IS A CONTROLLED DOCUMENT.

DIMENSIONS: mm [INCHES]	TOLERANCES UNLESS OTHERWISE SPECIFIED:	APPROVED: W. R. GRAY 3-16-92	DATE: 3-10-92
0 PLC ± .01	1 PLC ± .01	2 PLC ± .01	3 PLC ± .01
4 PLC ± .01	ANGLES ± .01	NAME: M. PHILLIPS	PRODUCT SPEC: 108-12020
MATERIAL: -	FINISH: -	SIZE: A1	SCALE: 2:1
WEIGHT: -	CUSTOMER DRAWING	DRAWING NO: 00779	SHEET 1 OF 1

STE TE Connectivity

PLUG DUAL CRIMP, BNC

REV AF4