



Have a Question?
 Chat with a Product Information Specialist

What can we help you find?

[Products](#) [Industries](#) [Resources](#) [About TE](#) [My Account](#) [Innovation](#) [Support Center](#)

414373-1 Product Details

[Share](#) [Print](#) [Email](#)



414373-1

TE Internal Number: 414373-1

Active

BNC RF Connectors

Not EU RoHS or ELV Compliant (Find RoHS Compliant Alternates)

Product Highlights:

- Connector - RF
- Jack
- Connector Style = Jack
- Applies To Printed Circuit Board
- PCB Mounting Orientation = Right Angle

[View all Features](#)

Quick Links

- ▶ [Pricing & Availability](#)
- ▶ [Search for Tooling](#)
- ▶ [Product Feature Selector](#)
- ▶ [Contact Us About This Product](#)

[View 3D PDF](#)

[Add to My Part List](#)

[Request Sample](#)

[Find Similar Products](#)

[Buy Product](#)

Documentation & Additional Information

Product Drawings:

- [JACK, RIGHT ANGLE, PCB, 50 OHM, BNC \(PDF, English\)](#)

Catalog Pages/Data Sheets:

- None Available

Product Specifications:

- [BNC PCB Straight and Right Angle Connectors \(PDF, English\)](#)

Application Specifications:

- None Available

Instruction Sheets:

- None Available

CAD Files: ([CAD Format & Compression Information](#))

- [2D Drawing \(DXF, Version J\)](#)
- [3D Model \(IGES, Version J\)](#)
- [3D Model \(STEP, Version J\)](#)

[List all Documents](#)

Related Products:

- [Tooling](#)

Product Features (Please use the Product Drawing for all design activity)

Product Type Features:

- **Product Type** = Connector - RF
- **Gender** = Jack
- **PCB Mounting Orientation** = Right Angle
- **Grade** = Commercial
- **PCB Mount Retention** = Without
- **Sealed** = No
- **Isolated** = No
- **Dielectric Material** = TPX

Mechanical Attachment:

- **Surface Mountable** = No
- **Hardware Included** = No
- **Panel Mount Retention** = Without

Electrical Characteristics:

- **Connector Impedance (Ω)** = 50

Dimensions:

- **PCB Height (mm [in])** = 8.64 [0.340]

Body Features:

- **Body Material** = Zinc
- **Body Plating** = Nickel
- **Body Insulation** = Without
- **Polarized** = No

Contact Features:

- **Center Contact Material** = Phosphor Bronze
- **Center Contact Plating** = Gold (30)

Housing Features:

- **Connector Style** = Jack

Configuration Features:

- **Number of Ports** = 1
- **Solder Terminal** = Without

Industry Standards:

- **Government/Industry Qualification** = No
- **RoHS/ELV Compliance** = Not ELV/RoHS compliant
- **Lead Free Solder Processes** = Wave solder capable to 240°C, Wave solder capable to 260°C, Wave solder capable to 265°C

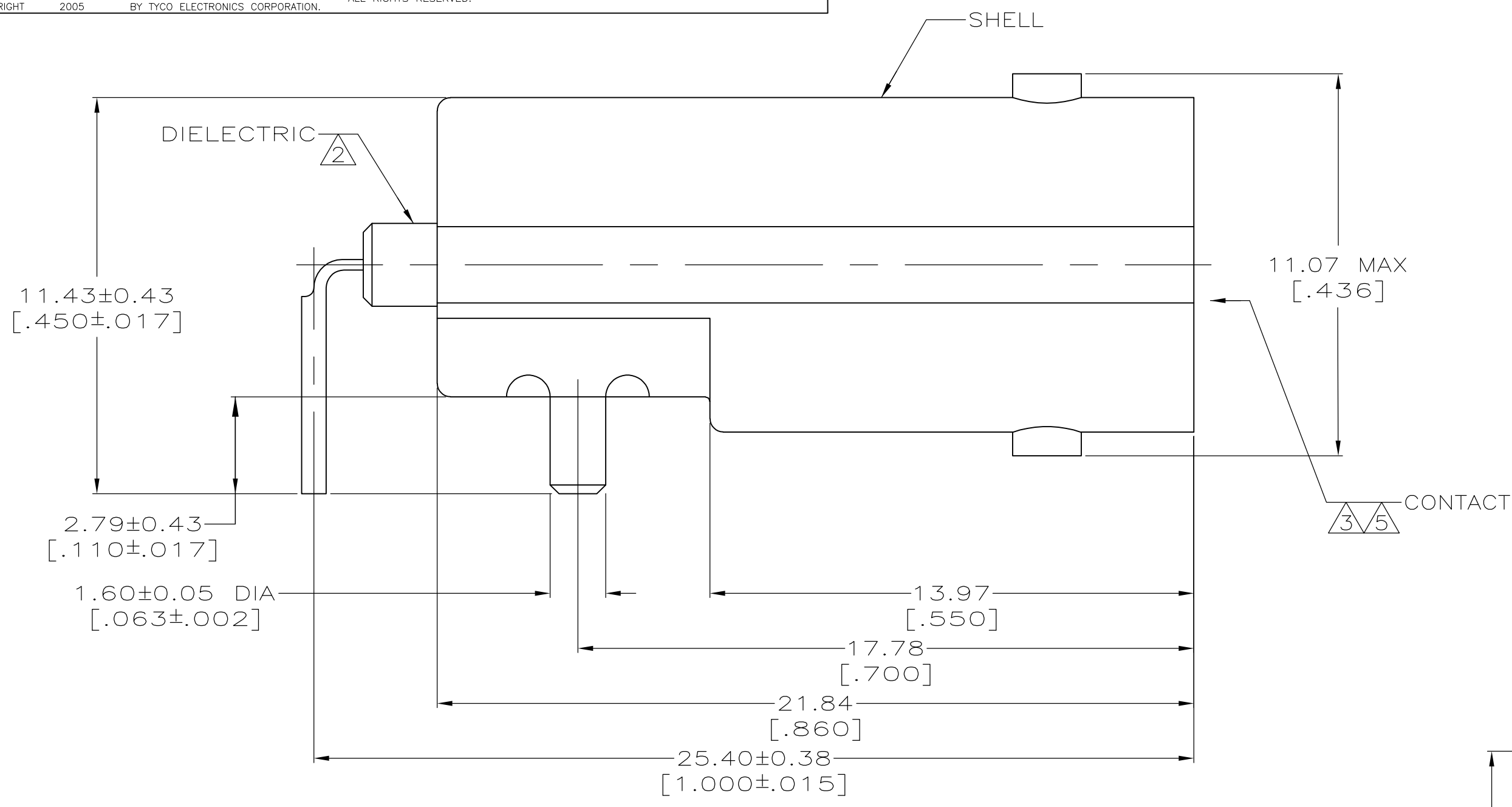
Conditions for Usage:

- **Applies To** = Printed Circuit Board

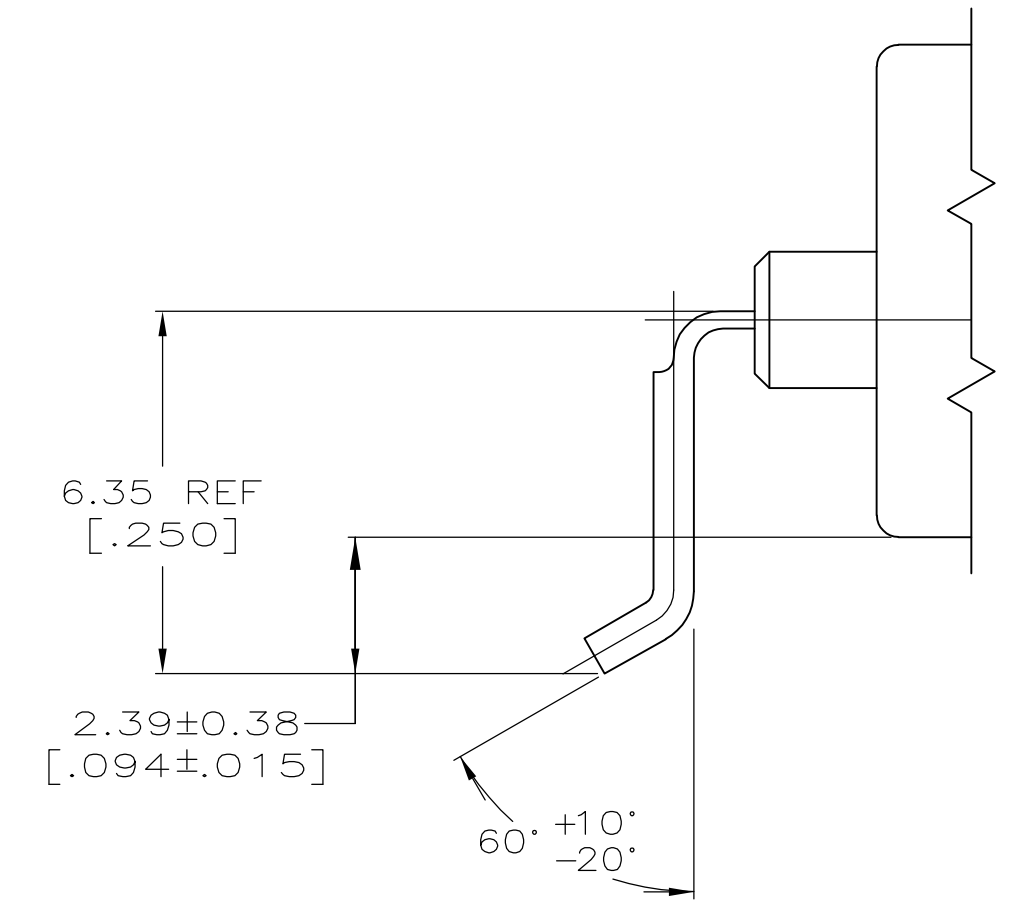
Other:

- **Brand** = AMP

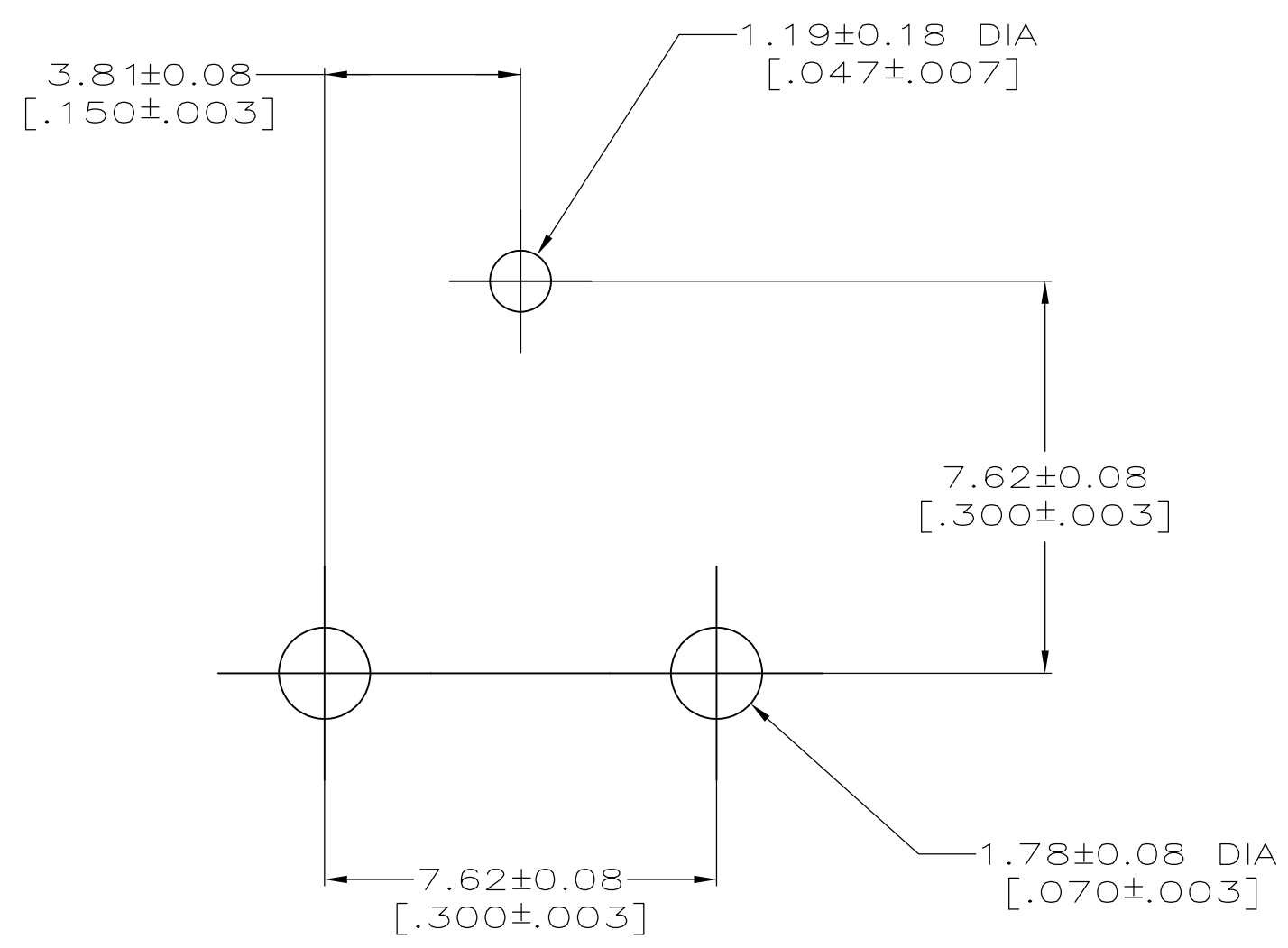
LOC	DIST	REVISIONS			
P	LTR	DESCRIPTION	DATE	OWN	APVD
AJ	16				
	J	REVISED PER EC 0514-0457-04	04NOV05	TS	JL
	J1	REVISED PER ECO-09-021826	12SEP09	KK	AEG



- ① ZINC PER QQ-Z-363.
- ② POLYMETHYLPENTENE, GENERAL PURPOSE.
- ③ PHOSPHOR BRONZE PER QQ-B-750.
- ④ NICKEL PLATE PER QQ-N-290, 3.81 μm [.000150] MINIMUM THICK.
- ⑤ GOLD PLATE PER MIL-G-45204, 0.76 μm [.000030] MINIMUM THICK.
- ⑥ ZAMAK 8
- ⑦ TIN PLATE PER ASTM-B-545, 3.81 μm [.000150] MINIMUM THICK.
- ⑧ OBSOLETE PARTS: OBSOLETE CIS STREAMLINING PER D.RENAUD/D.SINISI



FOR 414373-3 AND 414373-4 ONLY



SUGGESTED PCB CONFIGURATION

OBSOLETE	⑦	①	414373-4
OBSOLETE	④	①	414373-3
⑧ OBSOLETE	④	⑥	414373-2
	④	①	414373-1
	SHELL FINISH	SHELL MATERIAL	PART NO

THIS DRAWING IS A CONTROLLED DOCUMENT.		DWN	05AUG92	Tyco Electronics Corporation	
DIMENSIONS: mm [INCHES]		CHK	10AUG92	Harrisburg, PA 17105-3608	
TOLERANCES UNLESS OTHERWISE SPECIFIED:		APVD	10AUG92	NAME	
0 PLC	± -	A. GABANY		JACK, RIGHT ANGLE, PCB, 50 OHM, BNC	
1 PLC	± -	A. GABANY		PRODUCT SPEC	
2 PLC	± 0.13 [.005]	A. GABANY		108-12078	
3 PLC	± -	A. GABANY		APPLICATION SPEC	
4 PLC	± -	A. GABANY		SIZE	
ANGLES	± ± 5°	A. GABANY		CAGE CODE	
MATERIAL	FINISH	WEIGHT		DRAWING NO	
SEE NOTES 1-3, 6	SEE NOTES 4 - 5	-		A2 00779	
CUSTOMER DRAWING		SCALE		RESTRICTED TO	
		8:1		-	
		SHEET		REV	
		1 OF 1		J1	