



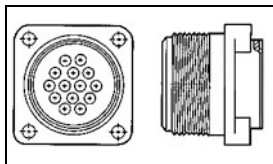
Have a Question?
Chat with a Product Information Specialist

What can we help you find?

Products Industries Resources About TE My Account Innovation Support Center

213651-1 Product Details

Share Print Email



213651-1

TE Internal Number: 213651-1

Active

View 3D PDF

CPC (Circular Plastic) and Circular Metal-Shell Connectors

Always EU RoHS/ELV Compliant (Statement of Compliance)

Product Highlights:

- Housing
- Connector Style = Receptacle
- 14 Positions
- 14 Signal Positions
- 0 Power Positions

View all Features

Quick Links

- ▶ Pricing & Availability
- ▶ Search for Tooling
- ▶ View Mating Products (1)
- ▶ Product Feature Selector
- ▶ Contact Us About This Product

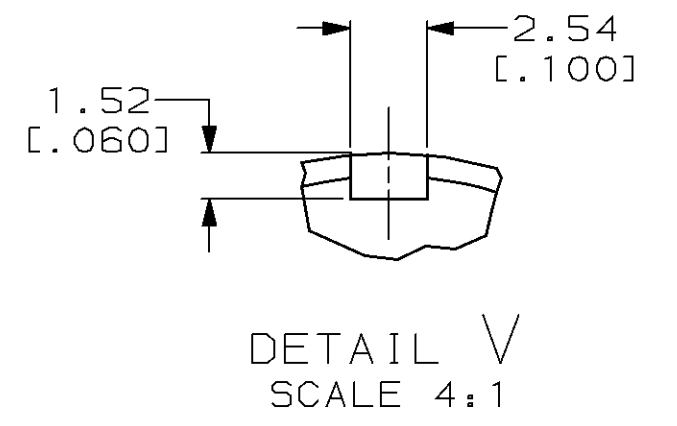
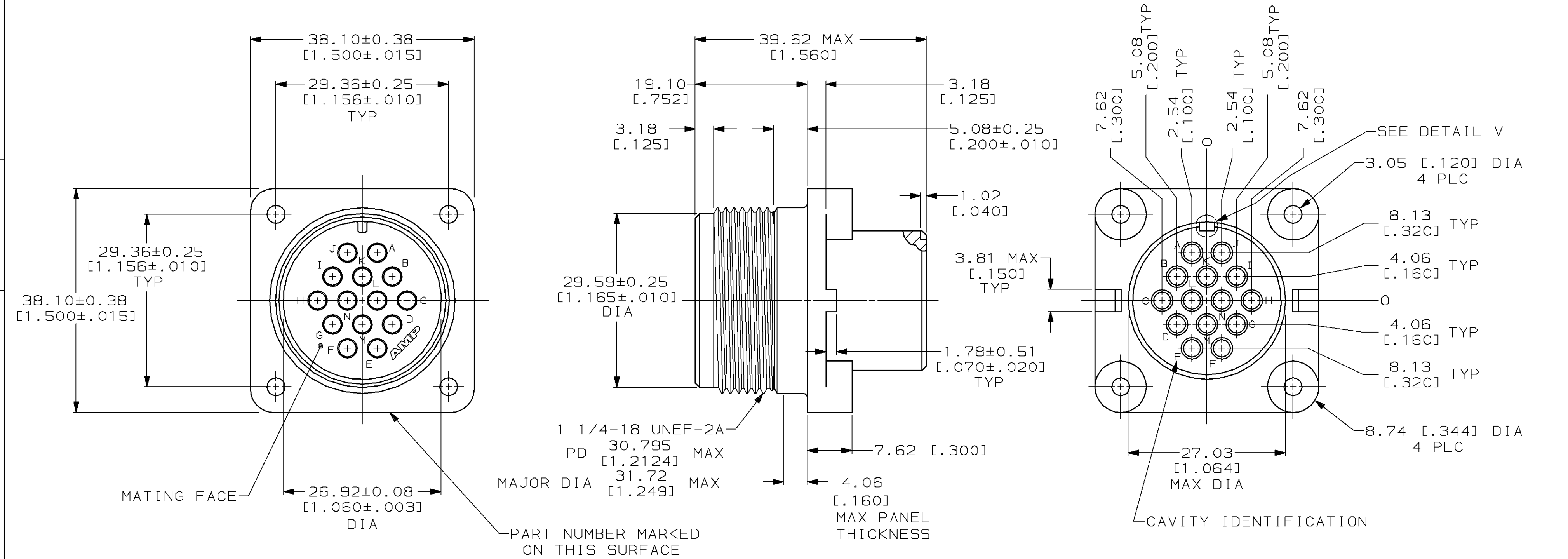
Add to My Part List Request Sample Find Similar Products Buy Product

Documentation & Additional Information	
<p>Product Drawings:</p> <ul style="list-style-type: none"> • RECEPTACLE, 20-14 ARR, STANDARD SEX, CPC (PDF, English) <p>Catalog Pages/Data Sheets:</p> <ul style="list-style-type: none"> • AMP Circular Connectors for Commercial Signal & Powe... (PDF, English) <p>Product Specifications:</p> <ul style="list-style-type: none"> • None Available <p>Application Specifications:</p> <ul style="list-style-type: none"> • None Available <p>Instruction Sheets:</p> <ul style="list-style-type: none"> • None Available <p>CAD Files: (CAD Format & Compression Information)</p> <ul style="list-style-type: none"> • 2D Drawing (DXF, Version F) • 3D Model (IGES, Version F) • 3D Model (STEP, Version F) 	<p>Related Products:</p> <ul style="list-style-type: none"> • Tooling • Mating Products (1)

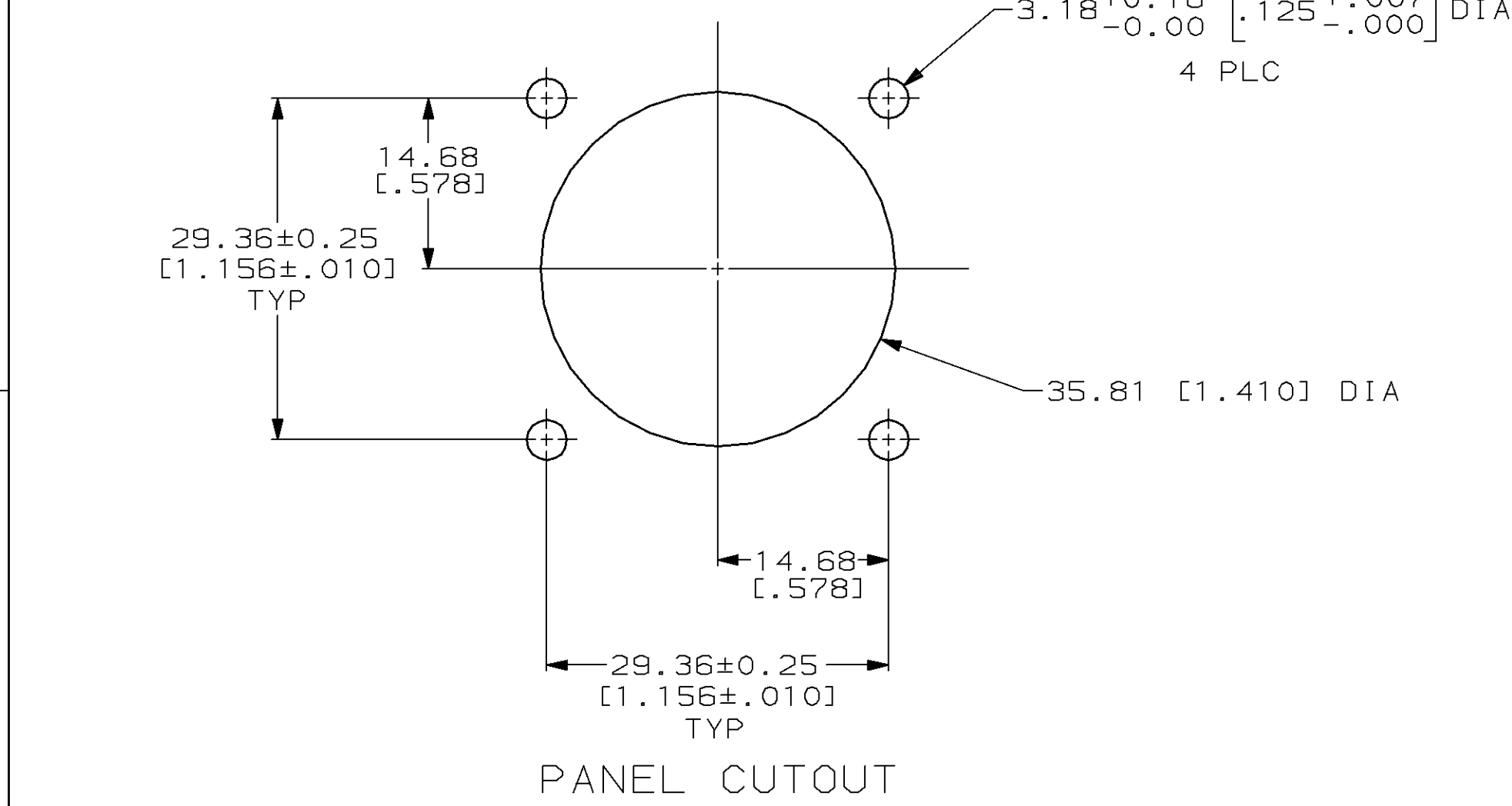
List all Documents

Product Features (Please use the Product Drawing for all design activity)	
<p>Product Type Features:</p> <ul style="list-style-type: none"> • Connector Type = Housing • Mount Angle = Straight • Shell Size = 20 • PCB Mount Retention = Without • Shell Type = All Plastic • Product Series = MIL-C-5015 • Thread Size = 1 1/4 - 18 UNEF-2A • Sealed = No <p>Mechanical Attachment:</p> <ul style="list-style-type: none"> • Mount = Panel • Mating Retention Type = Threaded Coupling <p>Body Features:</p> <ul style="list-style-type: none"> • Mount Style = Flange with Mounting Holes <p>Contact Features:</p> <ul style="list-style-type: none"> • Contact Type = Pin • Reverse Gender = Standard <p>Housing Features:</p> <ul style="list-style-type: none"> • Connector Style = Receptacle • Mating Alignment Type = Keyed • Housing Material = Polyamide - GF • Housing Color = Black 	<p>Configuration Features:</p> <ul style="list-style-type: none"> • Number of Positions = 14 • Number of Signal Positions = 14 • Number of Power Positions = 0 • Environmental Protection = Without <p>Industry Standards:</p> <ul style="list-style-type: none"> • VDE Tested = No • RoHS/ELV Compliance = RoHS compliant, ELV compliant • Lead Free Solder Processes = Not relevant for lead free process • RoHS/ELV Compliance History = Always was RoHS compliant <p>Environmental:</p> <ul style="list-style-type: none"> • Fluid Resistance = None <p>Other:</p> <ul style="list-style-type: none"> • Brand = AMP

LOC	DIST	P	F	ZONE	LTR	REVISIONS		
						DESCRIPTION	DATE	APPD
BD	35				C	REV PER EC 0020-299-93	04/12/93	RW
					D	REV PER EC 0020-155-94	03/10/94	AF
					E	REV PER EC 0020-0740-94	07/13/94	AF
					F	REV PER EC 0020-0657-95	06/27/95	RB



1. RECEPTACLE MATES WITH PRODUCT DESIGNED TO MIL SPEC 5015.
2. RECEPTACLE WILL ACCEPT TYPE III+ PIN CONTACTS.



DO NOT SCALE PRINT. UNLESS SPECIFIED DIMENSIONS IN mm [INCHES] TOLERANCES ON:		DR 01/17/91 L.SIPE		213651-1 PART NO	
2 PLC DEC ± 0.13 [0.005]		CHK 1-30-91 R.STONE		AMP AMP Incorporated Harrisburg, PA 17105-3608	
3 PLC DEC ± -		APPD 1-30-91 K.BEAVER		NAME	
ANGLES ± -		APPD 1-31-91 J.FULPONI		RECEPTACLE, 20-14 ARR, STANDARD SEX, CPC	
MATERIAL	POLYAMID, BLACK	PRODUCT SPEC	108-10024	SIZE	CAGE CODE
FINISH	-	APPLICATION SPEC	114-10004	SCALE	2:1
		WEIGHT	-	DRAWING NO	213651
				SHEET	1 OF 1