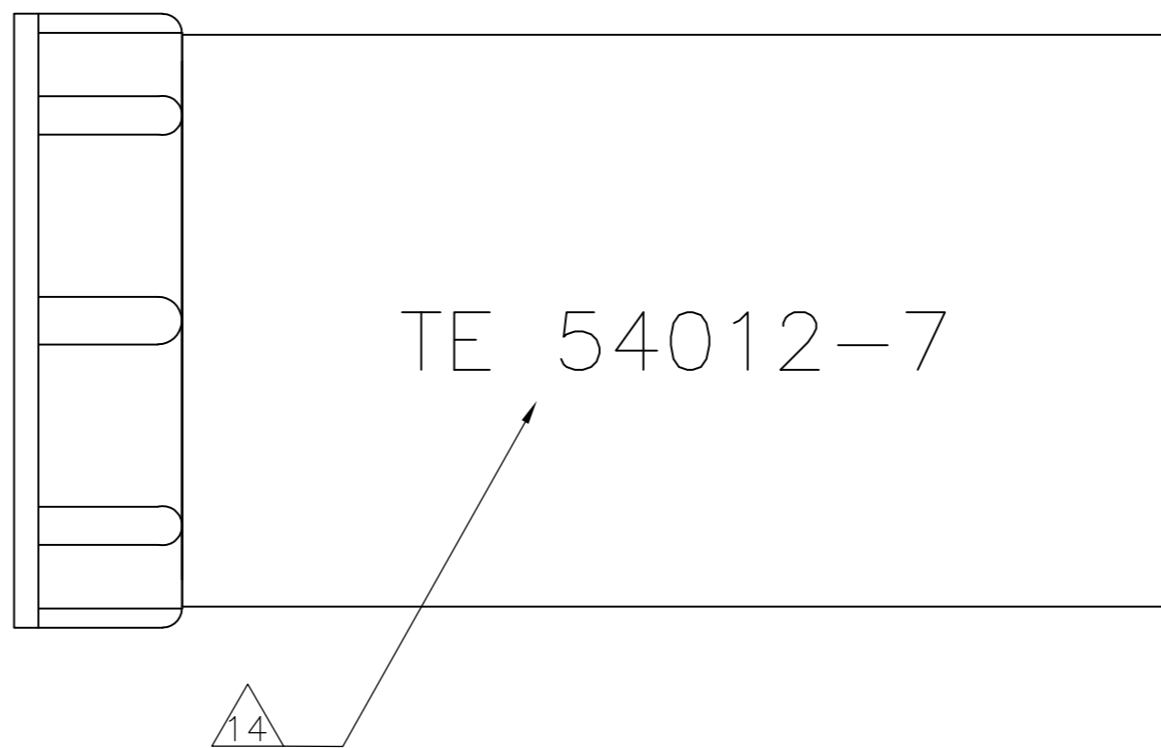
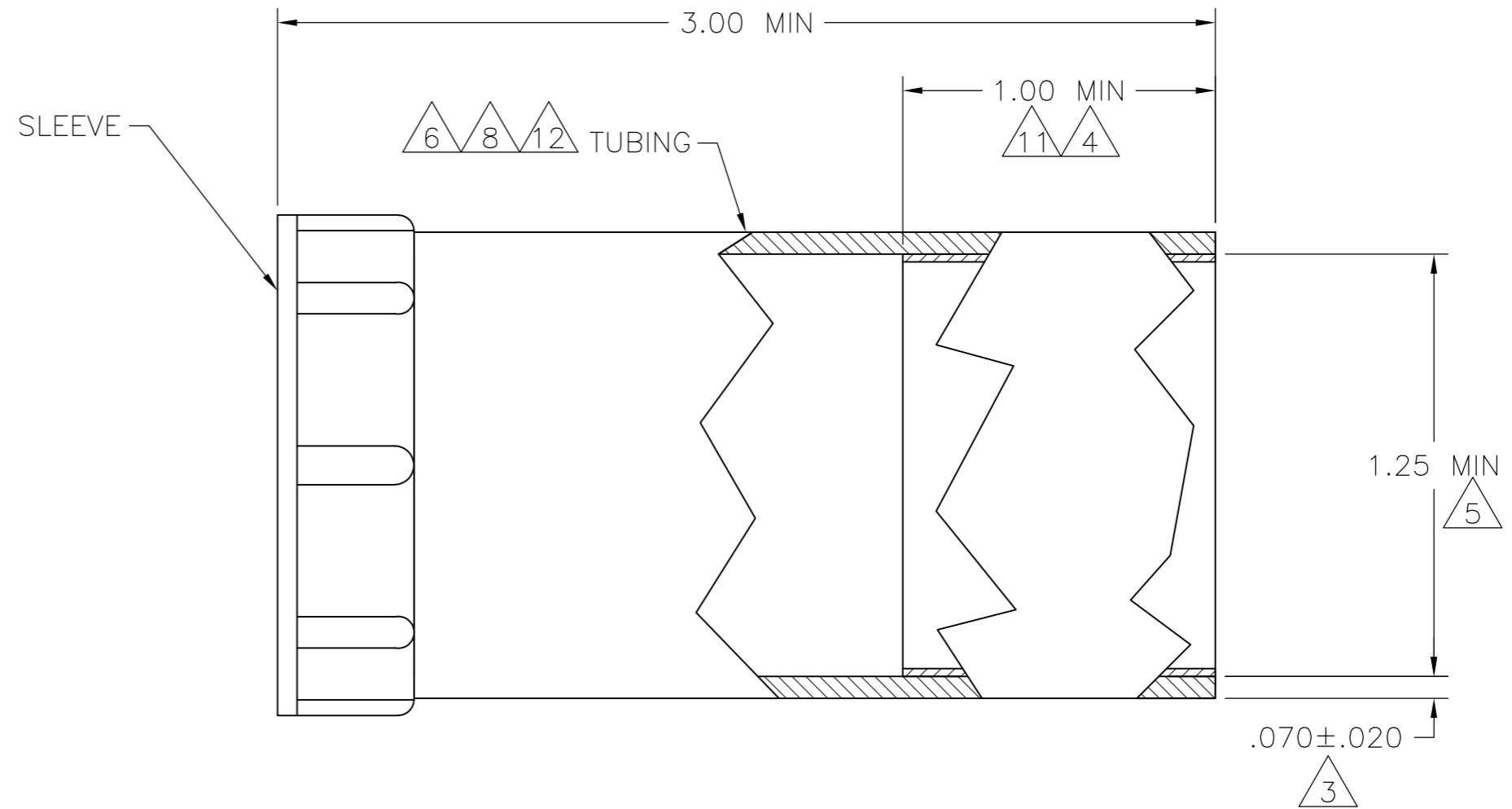
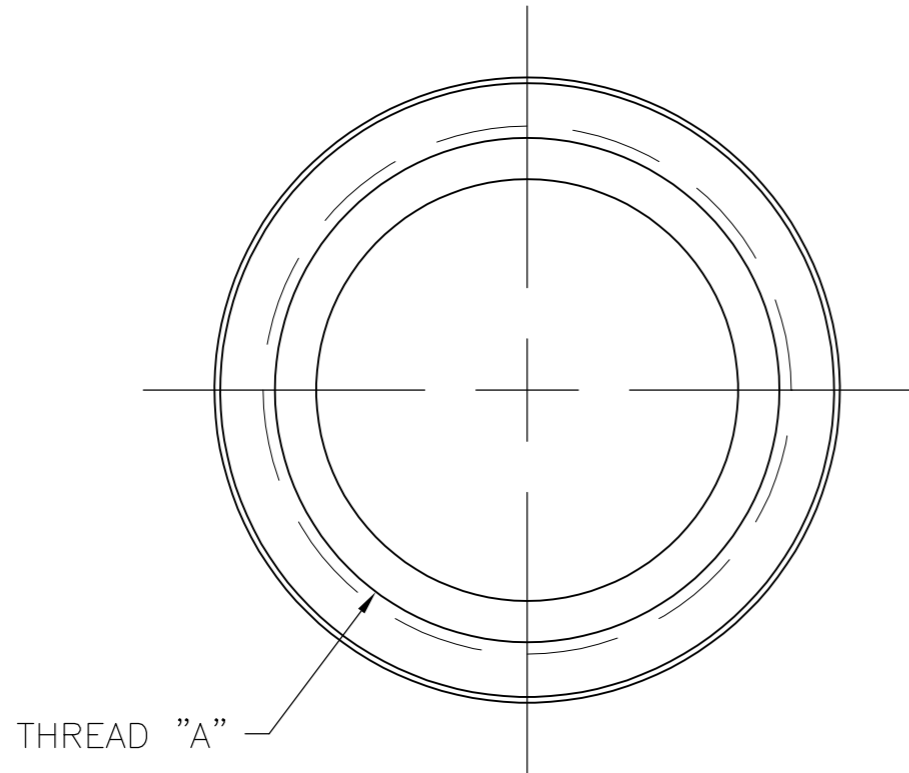


THIS DRAWING IS UNPUBLISHED. RELEASED FOR PUBLICATION
 © COPYRIGHT - By - ALL RIGHTS RESERVED.

LOC	DIST	REVISIONS			
P	LTR	DESCRIPTION	DATE	DWN	APVD
FT	0	V3	REVISED PER ECO-14-008433	05JUN2014	NK MZ



- 1 POLYOLEFIN, BLACK.
- 2 NYLON, BLACK.
- 3 NOMINAL WALL THICKNESS, EXPANDED.
- 4 LENGTH OF SEALANT.
- 5 EXPANDED INSIDE DIAMETER.
- 6 12.70[.500] MAXIMUM RECOVERED INSIDE DIAMETER.
- 7 ASSEMBLY WILL PASS 0.0703 KG PER SQ CENTIMETER [ONE POUND PER SQ IN.] WATER PRESSURE TEST.
- 8 121°C [250°F] SHRINK TEMPERATURE.
- 9 -55°C TO 110°C [-67°F TO 230°F] OPERATING TEMPERATURE.
- 10 THIS PART WILL ACCOMODATE $\phi 13.97 - \phi 31.75$ [$\phi .550 - \phi 1.250$] CABLE RANGE.
- 11 NO SEALANT APPLIED.
- 12 ACTUAL SHAPE MAY VARY DUE TO PROCESS VARIANCE.
- 13 OBSOLETE PARTS: OBSOLETE CIS STREAMLINING PER D.RENAUD/D.SINISI
- 14 SEE P/N CHART FOR MARKING. WHITE CHARACTERS .15 MIN HIGH AND LOCATED ON THE OUTSIDE SURFACE OF THE TUBING.
- 15 PRELIMINARY PART - NOT FOR PRODUCTION

MARKING	THREAD "A"	PART NUMBER
15	1 3/8-18 UNEF-2B	54012-7
11, 13	1 7/16-18 UNEF-2B	54012-6
11, 13	1 3/8-18 UNEF-2B	54012-5
	1 7/16-18 UNEF-2B	54012-4
13	1 3/16-18 UNEF-2B	54012-3
	1 3/8-18 UNEF-2B	54012-1

THIS DRAWING IS A CONTROLLED DOCUMENT.		DWN C.REIFSNYDER 10 APR 96																							
DIMENSIONS: INCHES		CHK R.STONE 15 APR 95																							
TOLERANCES UNLESS OTHERWISE SPECIFIED:		APVD T.A.WETZEL 03 MAY 96	NAME STRAIN RELIEF ASSY, SHELL SIZE 23, CPC																						
<table border="1"> <tr><td>0 PLC</td><td>±</td><td>-</td></tr> <tr><td>1 PLC</td><td>±</td><td>-</td></tr> <tr><td>2 PLC</td><td>±</td><td>-</td></tr> <tr><td>3 PLC</td><td>±</td><td>-</td></tr> <tr><td>4 PLC</td><td>±</td><td>-</td></tr> <tr><td>ANGLES</td><td>±</td><td>-</td></tr> <tr><td>FINISH</td><td>-</td><td>-</td></tr> </table>		0 PLC	±	-	1 PLC	±	-	2 PLC	±	-	3 PLC	±	-	4 PLC	±	-	ANGLES	±	-	FINISH	-	-	PRODUCT SPEC APPLICATION SPEC	SIZE A2	CAGE CODE 00779
0 PLC	±	-																							
1 PLC	±	-																							
2 PLC	±	-																							
3 PLC	±	-																							
4 PLC	±	-																							
ANGLES	±	-																							
FINISH	-	-																							
MATERIAL TUBING: 1 SLEEVE: 2		WEIGHT -	DRAWING NO 54012	RESTRICTED TO -																					
CUSTOMER DRAWING			SCALE 2:1	SHEET 1 of 1																					
			REV V3																						