



Have a Question?
 Chat with a Product
 Information Specialist

What can we help you find?

[Products](#) |
 [Industries](#) |
 [Resources](#) |
 [About TE](#) |
 [My Account](#) |
 [Innovation](#) |
 [Support Center](#)

206306-2 Product Details

[Share](#) |
 [Print](#) |
 [Email](#)



206306-2

TE Internal Number: 206306-2

Active

View 3D PDF

CPC (Circular Plastic) and Circular Metal-Shell Connectors

Always EU RoHS/ELV Compliant (Statement of Compliance)

Product Highlights:

- Housing
- Connector Style = Receptacle
- 37 Positions
- 37 Signal Positions
- 0 Power Positions

[View all Features](#)

Quick Links

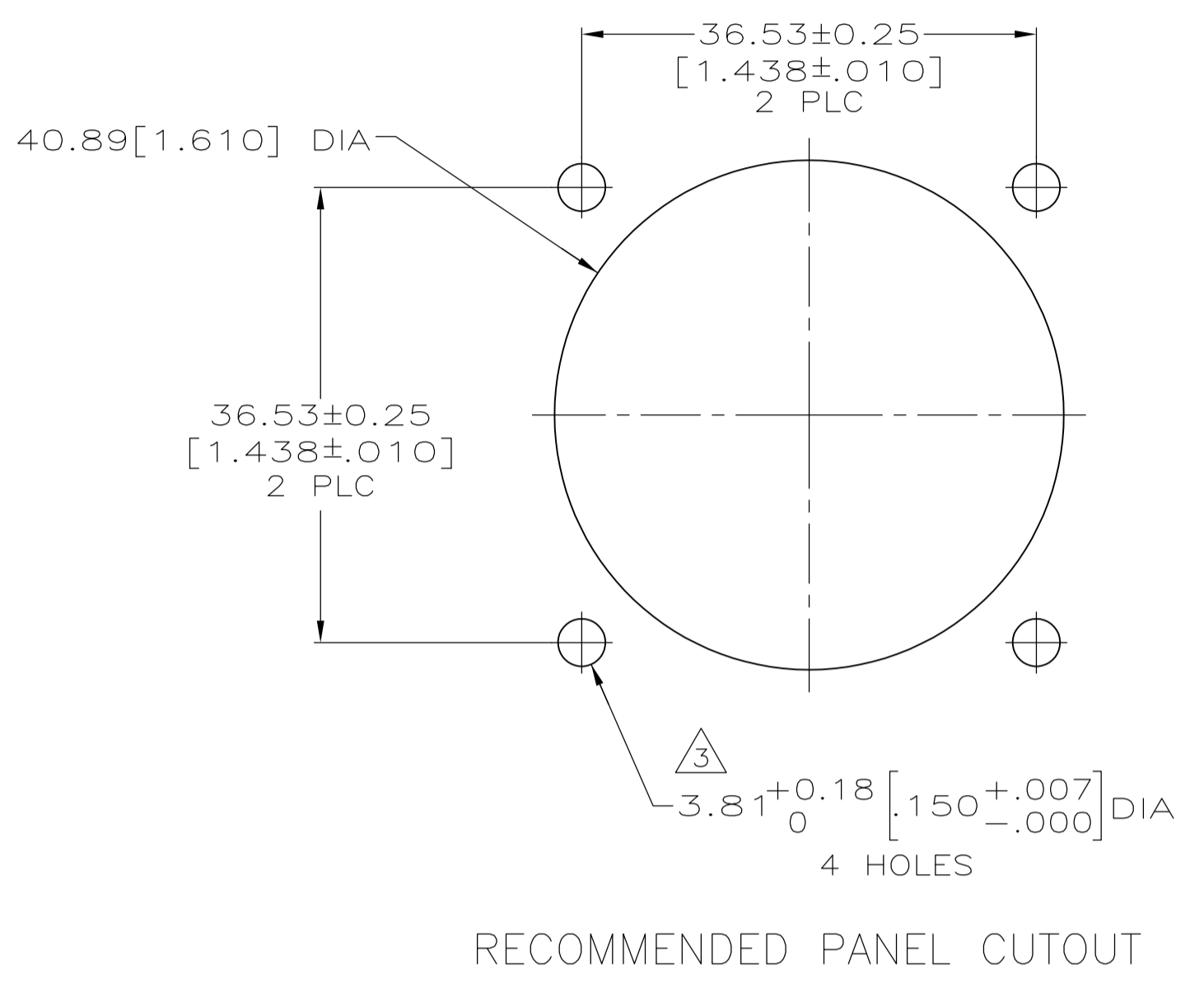
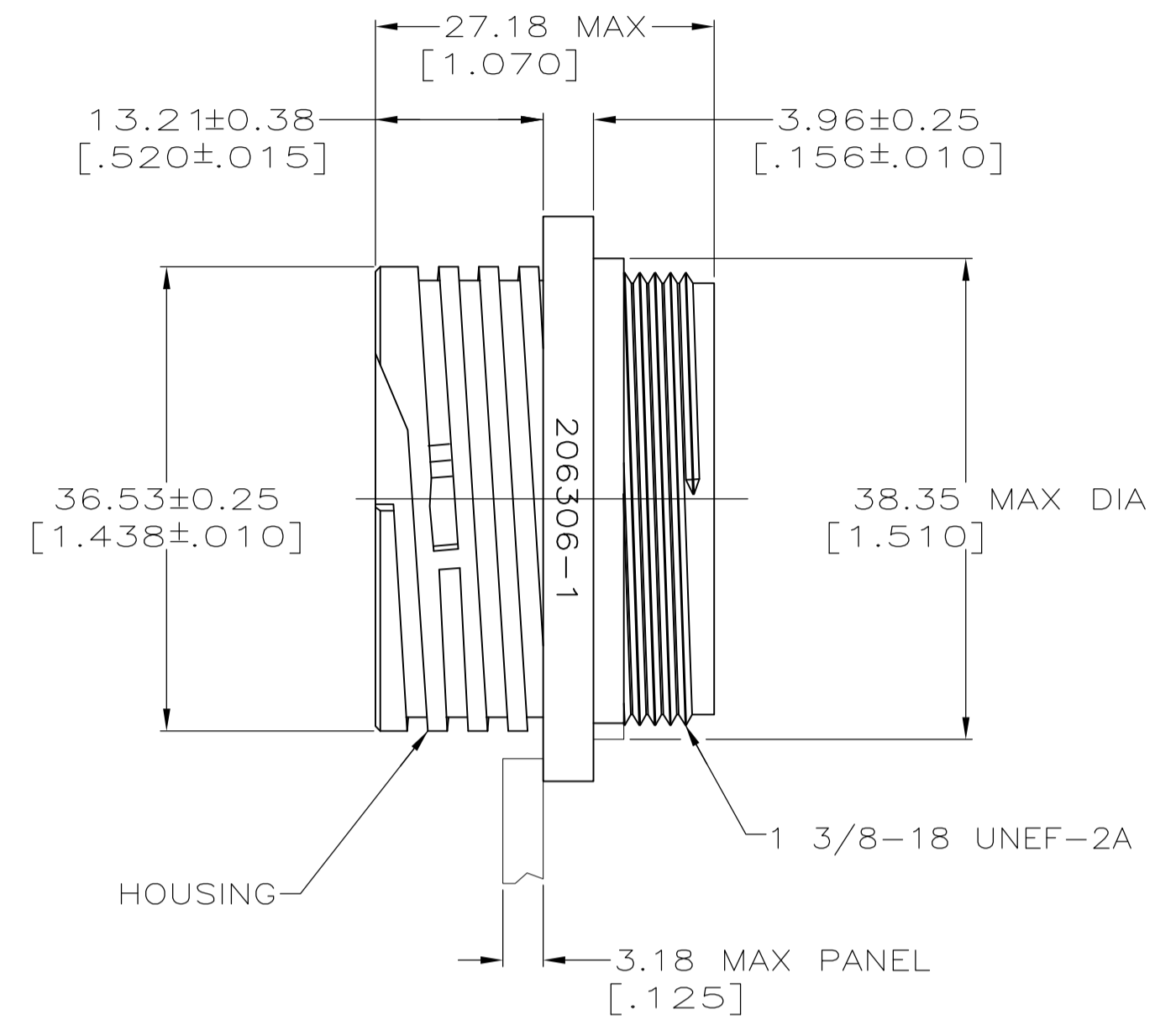
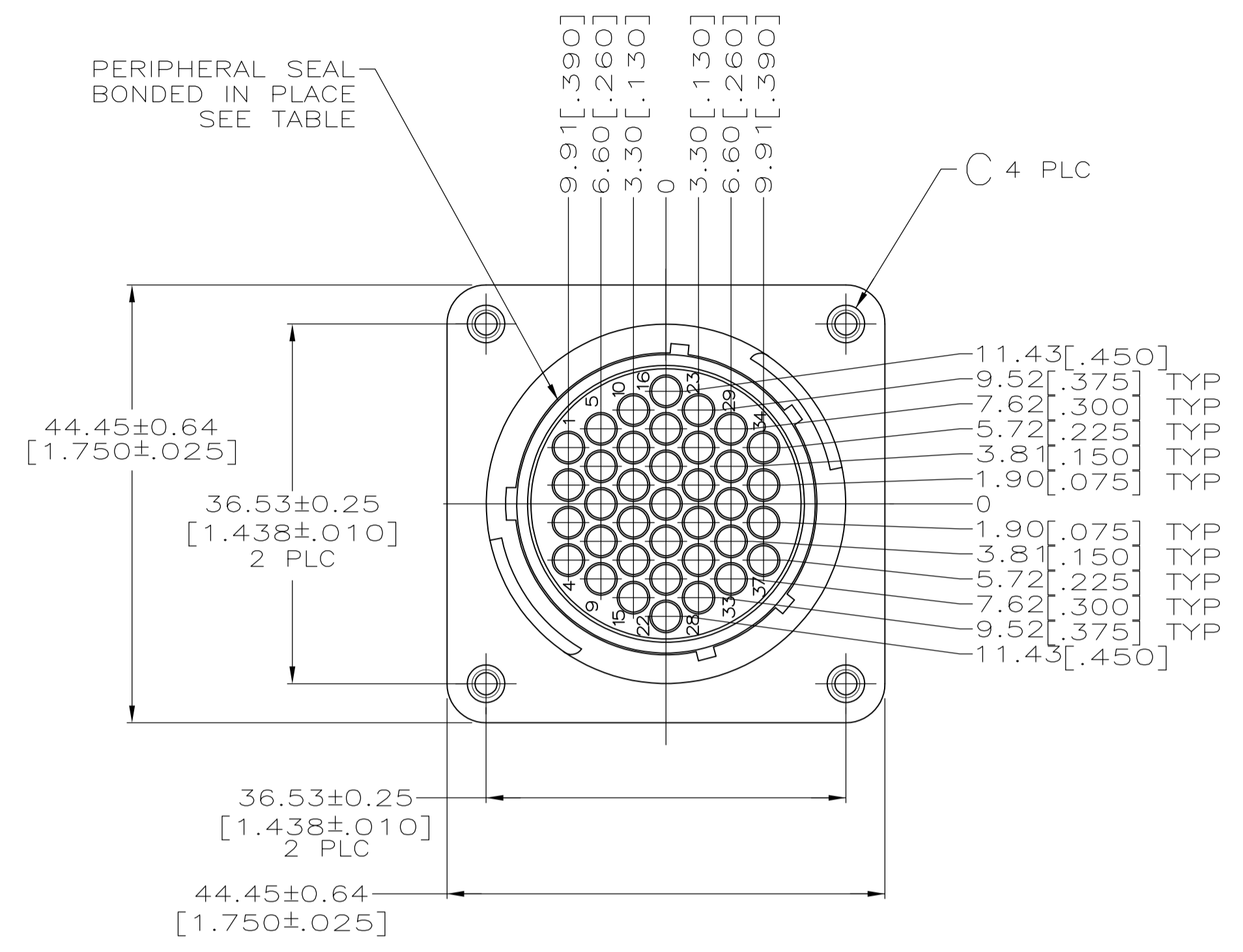
- ▶ [Pricing & Availability](#)
- ▶ [Search for Tooling](#)
- ▶ [View Mating Products \(2\)](#)
- ▶ [Product Feature Selector](#)
- ▶ [Contact Us About This Product](#)

[Add to My Part List](#) |
 [Request Sample](#) |
 [Find Similar Products](#) |
 [Buy Product](#)

| Documentation & Additional Information | |
|--|--|
| <p>Product Drawings:</p> <ul style="list-style-type: none"> • RECEPTACLE HOUSING, REVERSE SEX, SHELL SIZE 23, CPC (PDF, English) <p>Catalog Pages/Data Sheets:</p> <ul style="list-style-type: none"> • AMP Circular Connectors for Commercial Signal & Powe... (PDF, English) <p>Product Specifications:</p> <ul style="list-style-type: none"> • None Available <p>Application Specifications:</p> <ul style="list-style-type: none"> • Circular Plastic Connectors (CPC) (PDF, English) <p>Instruction Sheets:</p> <ul style="list-style-type: none"> • Circular Plastic Connectors (CPC) (PDF, English) <p>CAD Files: (CAD Format & Compression Information)</p> <ul style="list-style-type: none"> • 2D Drawing (DXF, Version AH) • 3D Model (IGES, Version AH) • 3D Model (STEP, Version AH) | <p>Related Products:</p> <ul style="list-style-type: none"> • Tooling • Mating Products (2) |

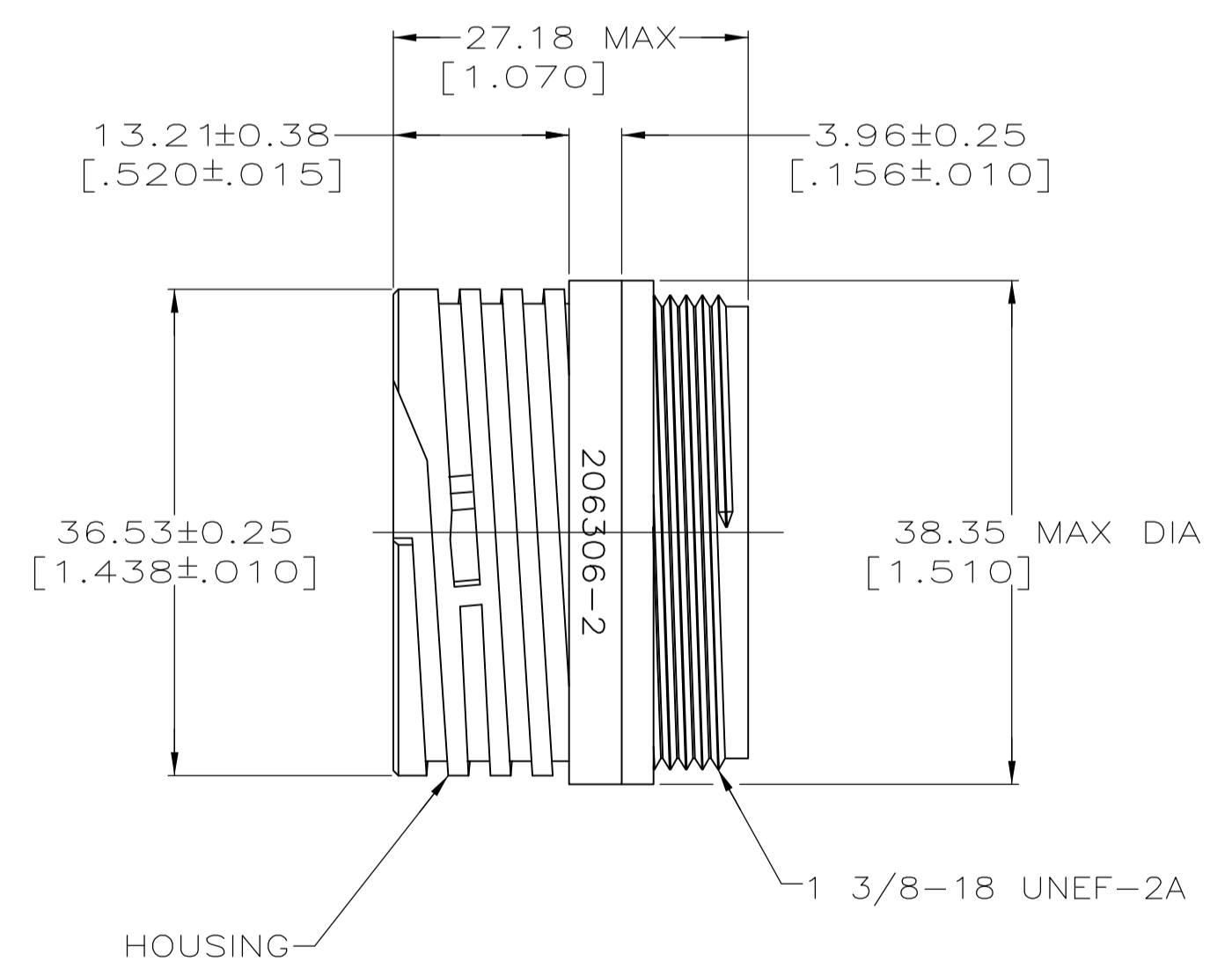
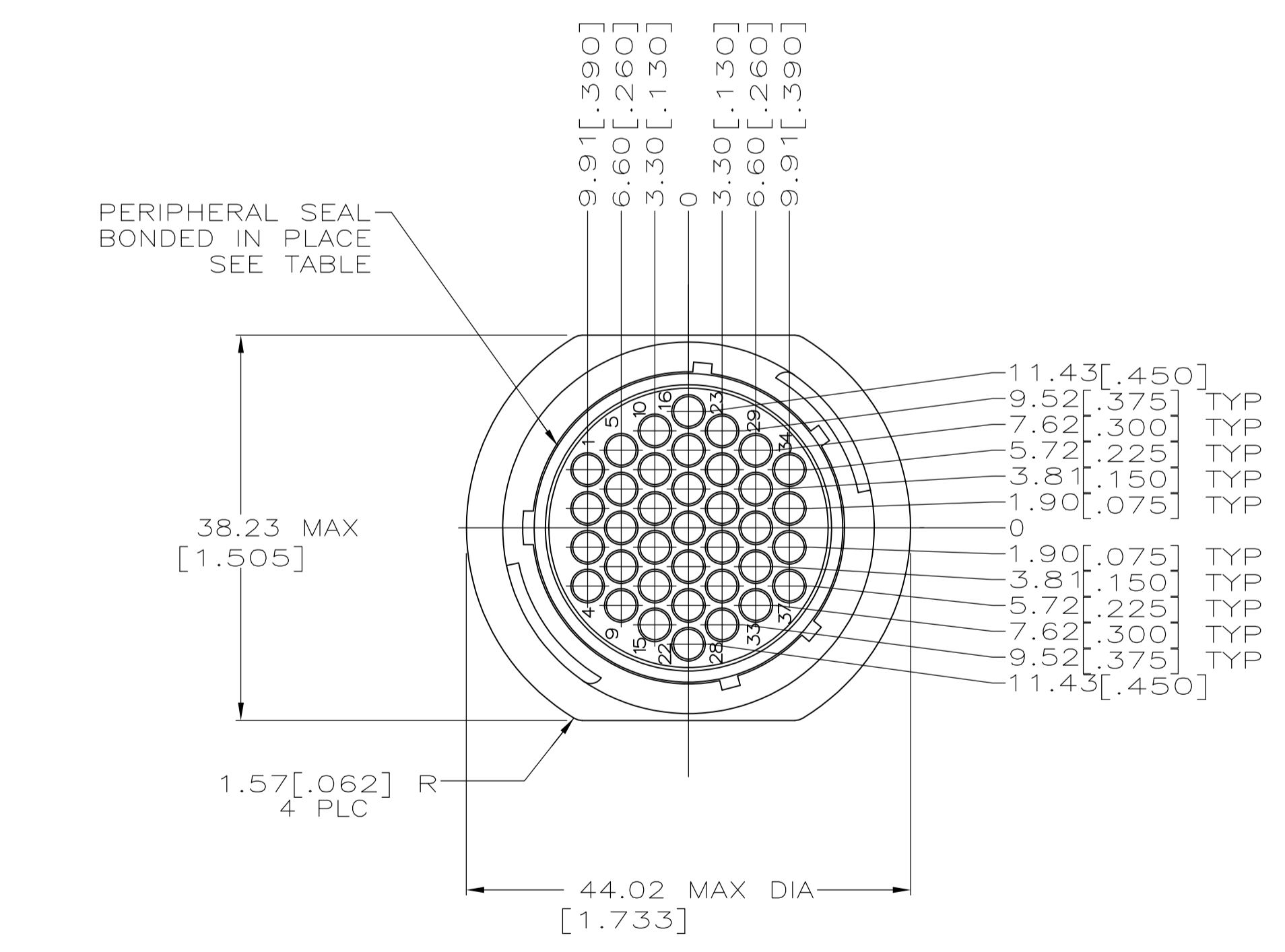
[List all Documents](#)

| Product Features (Please use the Product Drawing for all design activity) | |
|---|--|
| <p>Product Type Features:</p> <ul style="list-style-type: none"> • Connector Type = Housing • Mount Angle = Straight • Shell Size = 23 • Shell Type = All Plastic • Product Series = Series 1 • Thread Size = 1-3/8 - 18 UNEF-2A • Sealed = No <p>Mechanical Attachment:</p> <ul style="list-style-type: none"> • Mount = Free Hanging • Mating Retention Type = Threaded Coupling <p>Contact Features:</p> <ul style="list-style-type: none"> • Contact Type = Socket • Reverse Gender = Reverse <p>Housing Features:</p> <ul style="list-style-type: none"> • Connector Style = Receptacle • Mating Alignment Type = Keyed • Housing Material = Nylon • Housing Color = Black • UL Flammability Rating = UL 94V-0 | <p>Configuration Features:</p> <ul style="list-style-type: none"> • Number of Positions = 37 • Number of Signal Positions = 37 • Number of Power Positions = 0 • Environmental Protection = Without • Reverse Numbering = Without <p>Industry Standards:</p> <ul style="list-style-type: none"> • VDE Tested = No • RoHS/ELV Compliance = RoHS compliant, ELV compliant • Lead Free Solder Processes = Not relevant for lead free process • RoHS/ELV Compliance History = Always was RoHS compliant <p>Identification Marking:</p> <ul style="list-style-type: none"> • Keying = A <p>Environmental:</p> <ul style="list-style-type: none"> • Fluid Resistance = None <p>Other:</p> <ul style="list-style-type: none"> • Brand = AMP • Comment = 5 Locating Key Arrangement. |



DETAIL A

RECOMMENDED PANEL CUTOUT



DETAIL B

| | | | | | |
|---------------|------------|-----------------|----------------------|---|-------------|
| OBSOLETE 5 | STANDARD | NO | 3.81 [.150] DIA HOLE | A | 4 206306-8- |
| | SMALL PACK | NO | 3.81 [.150] DIA HOLE | A | 206306-6- |
| | STANDARD | NO | 4-40 THREADED INSERT | A | 206306-5 |
| | STANDARD | YES | - | B | 206306-4 |
| | STANDARD | YES | 3.81 [.150] DIA HOLE | A | 206306-3 |
| | STANDARD | NO | - | B | 206306-2 |
| | STANDARD | NO | 3.81 [.150] DIA HOLE | A | 206306-1 |
| | PACKAGING | PERIPHERAL SEAL | | C | SEE DETAIL |

- 1 CAVITY IDENTIFICATION ON FRONT AND REAR FACE.
- 2 WILL ACCEPT THIRTY-SEVEN (37) MULTIMATE SOCKET CONTACTS.
- 3 NO 4 FASTENER RECOMMENDED FOR MOUNTING.
- 4 NYLON 6/6, NATURAL.
- 5 OBSOLETE PARTS: OBSOLETE CIS STREAMLINING PER D.RENAUD/D.SINISI

THIS DRAWING IS A CONTROLLED DOCUMENT.

| | | | | |
|--|--|-----------------------|-----------------------|-----------|
| DIMENSIONS: MM [INCHES] | TOLERANCES UNLESS OTHERWISE SPECIFIED: | DIN D.GELTZ 07/26/93 | APVD R.STONE 08/11/93 | NAME |
| 0 PLC ± - | 1 PLC ± - | 2 PLC ± ± 0.13 [.005] | 3 PLC ± - | 4 PLC ± - |
| ANGLES ± - | | FRANTUM 08/13/93 | | |
| MATERIAL: HOUSING: NYLON, BLACK INSERT: BRASS | | FINISH: - | WEIGHT: - | SIZE: A1 |
| CUSTOMER DRAWING | | SCALE: 2:1 | SHEET: 1 OF 1 | REV: L |

STE TE Connectivity
RECEPTACLE HOUSING, REVERSE
SEX, SHELL SIZE 23, CPC
108-10024