



**Have a Question?**  
 Chat with a Product  
 Information Specialist

What can we help you find?

[Products](#) | 
 [Industries](#) | 
 [Resources](#) | 
 [About TE](#) | 
 [My Account](#) | 
 [Innovation](#) | 
 [Support Center](#)

## 206430-2 Product Details

[Share](#) | 
 [Print](#) | 
 [Email](#)



**206430-2**

TE Internal Number: 206430-2

Active

View 3D PDF

### CPC (Circular Plastic) and Circular Metal-Shell Connectors

Always EU RoHS/ELV Compliant (Statement of Compliance)

**Product Highlights:**

- Housing
- Connector Style = Receptacle
- 4 Positions
- 4 Signal Positions
- 0 Power Positions

[View all Features](#)

### Quick Links

- ▶ [Pricing & Availability](#)
- ▶ [Search for Tooling](#)
- ▶ [View Mating Products \(1\)](#)
- ▶ [Product Feature Selector](#)
- ▶ [Contact Us About This Product](#)

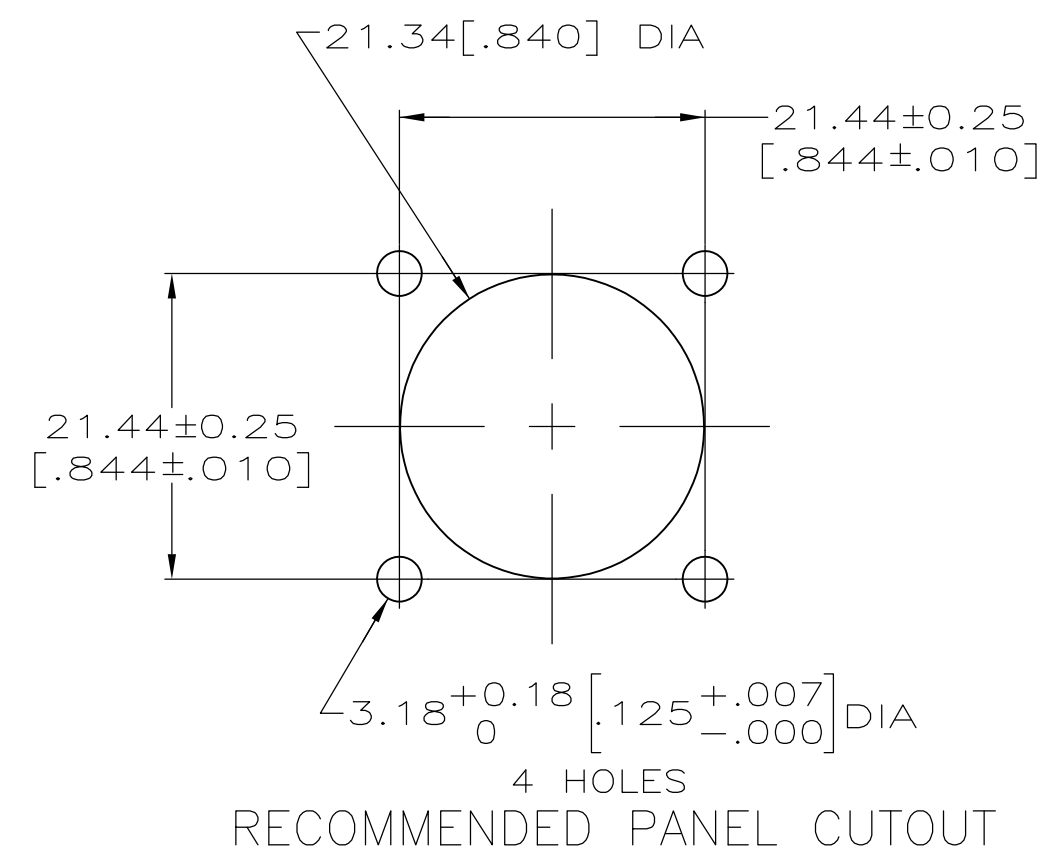
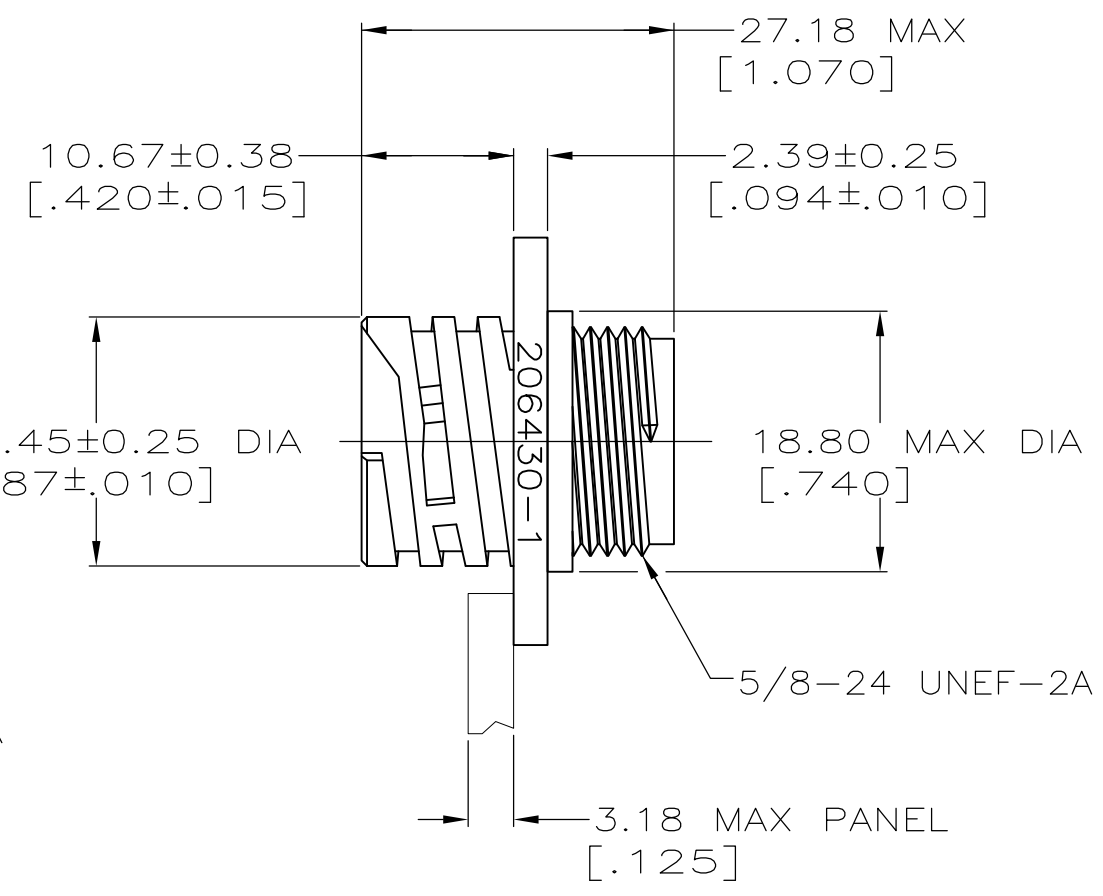
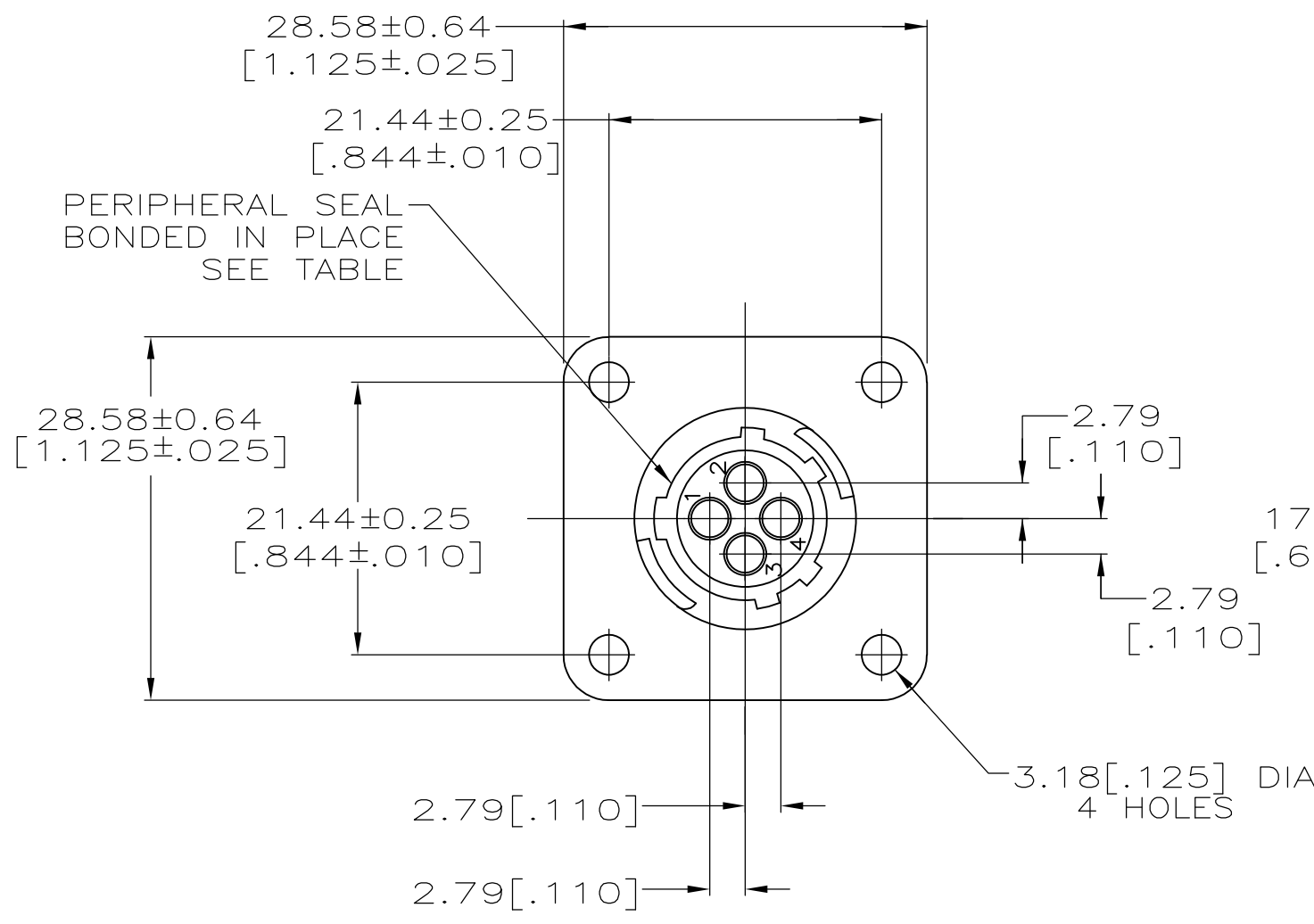
[Add to My Part List](#) | 
 [Request Sample](#) | 
 [Find Similar Products](#) | 
 [Buy Product](#)

Documentation & Additional Information	
<p><b>Product Drawings:</b></p> <ul style="list-style-type: none"> <li>• <a href="#">RECEPTACLE HOUSING, REVERSE SEX, SHELL SIZE 11, CPC</a> (PDF, English)</li> </ul> <p><b>Catalog Pages/Data Sheets:</b></p> <ul style="list-style-type: none"> <li>• <a href="#">AMP Circular Connectors for Commercial Signal &amp; Powe...</a> (PDF, English)</li> </ul> <p><b>Product Specifications:</b></p> <ul style="list-style-type: none"> <li>• None Available</li> </ul> <p><b>Application Specifications:</b></p> <ul style="list-style-type: none"> <li>• <a href="#">Circular Plastic Connectors (CPC)</a> (PDF, English)</li> </ul> <p><b>Instruction Sheets:</b></p> <ul style="list-style-type: none"> <li>• <a href="#">Circular Plastic Connectors (CPC)</a> (PDF, English)</li> </ul> <p><b>CAD Files:</b> (CAD Format &amp; Compression Information)</p> <ul style="list-style-type: none"> <li>• <a href="#">2D Drawing</a> (DXF, Version AA)</li> <li>• <a href="#">3D Model</a> (IGES, Version AA)</li> <li>• <a href="#">3D Model</a> (STEP, Version AA)</li> </ul>	<p><b>Additional Product Images:</b></p> <ul style="list-style-type: none"> <li>• <a href="#">Contact Arrangement</a></li> </ul> <p><b>Related Products:</b></p> <ul style="list-style-type: none"> <li>• <a href="#">Tooling</a></li> <li>• <a href="#">Mating Products (1)</a></li> </ul>

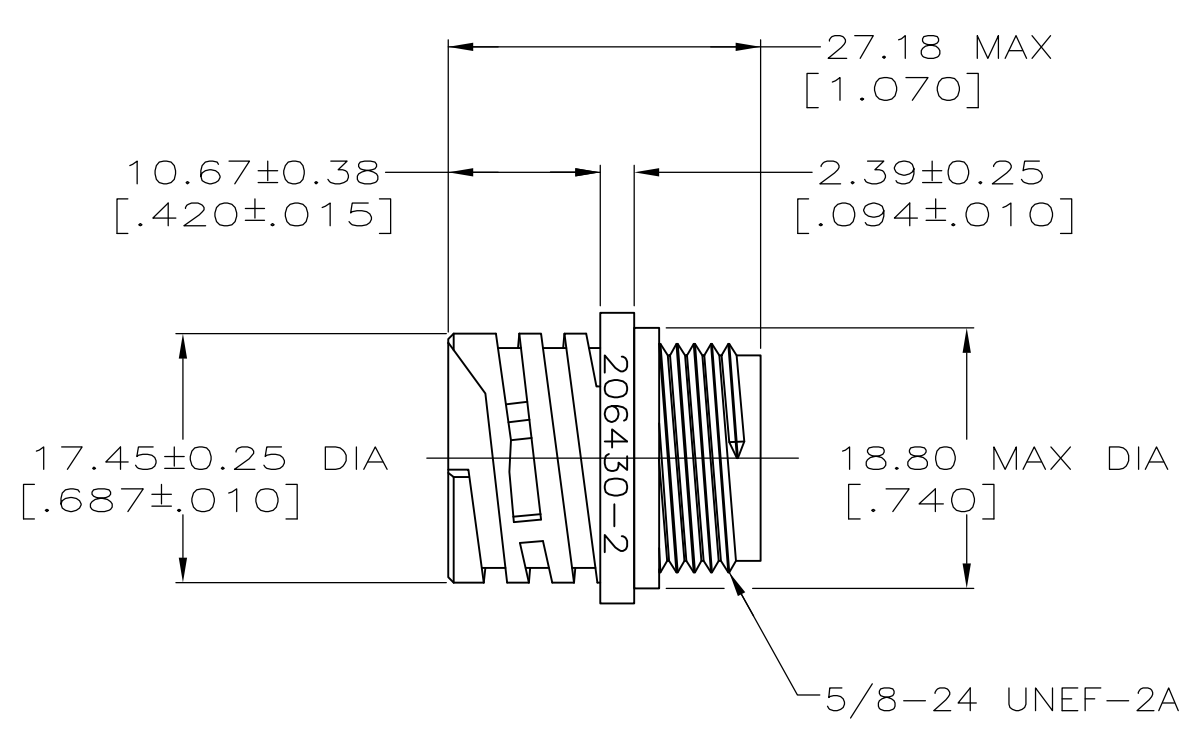
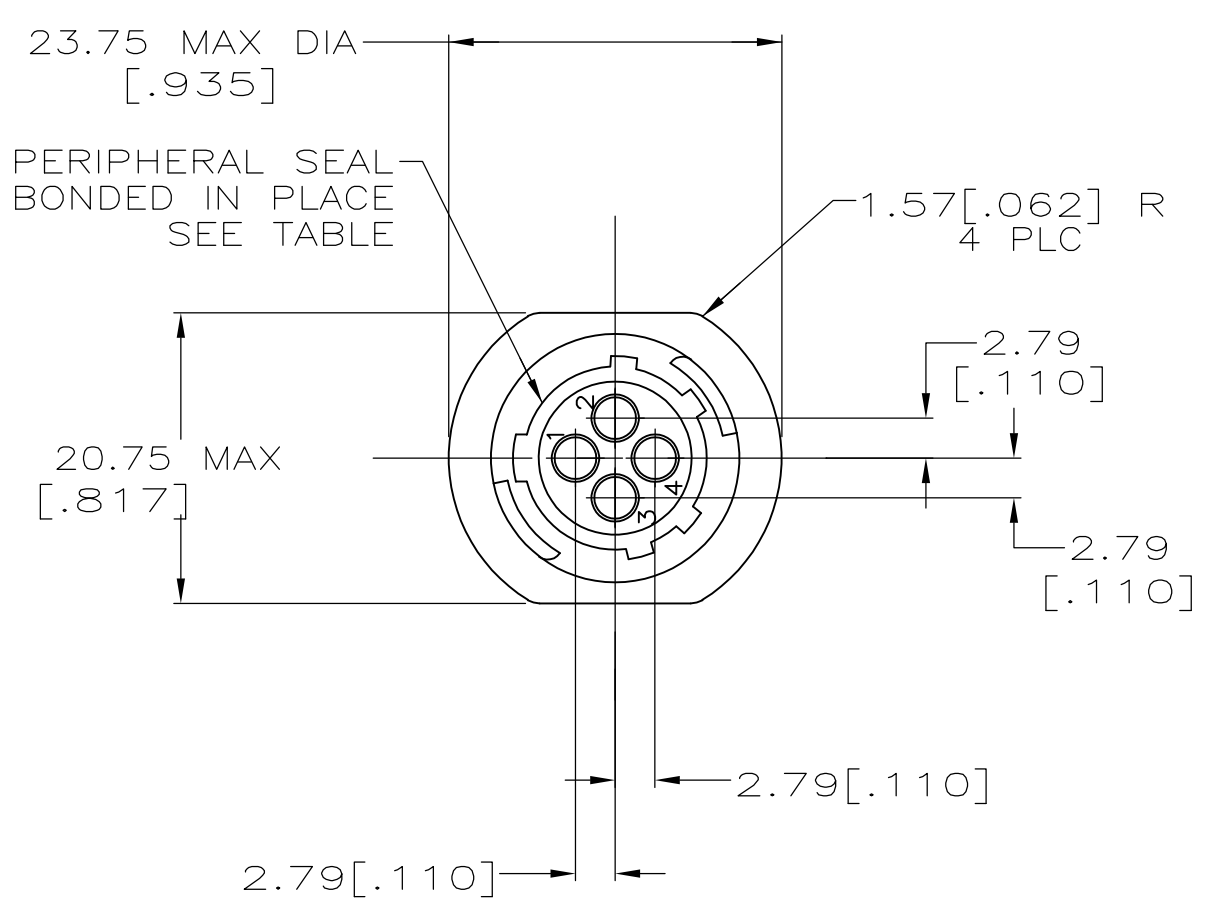
[List all Documents](#)

Product Features (Please use the Product Drawing for all design activity)	
<p><b>Product Type Features:</b></p> <ul style="list-style-type: none"> <li>• Connector Type = Housing</li> <li>• Mount Angle = Straight</li> <li>• Shell Size = 11</li> <li>• Shell Type = All Plastic</li> <li>• Product Series = Series 1</li> <li>• Thread Size = 5/8 - 24 UNEF-2A</li> <li>• Sealed = No</li> </ul> <p><b>Mechanical Attachment:</b></p> <ul style="list-style-type: none"> <li>• <a href="#">Mount</a> = Free Hanging</li> <li>• Mating Retention Type = Threaded Coupling</li> </ul> <p><b>Contact Features:</b></p> <ul style="list-style-type: none"> <li>• <a href="#">Contact Type</a> = Socket</li> <li>• <a href="#">Reverse Gender</a> = Reverse</li> </ul> <p><b>Housing Features:</b></p> <ul style="list-style-type: none"> <li>• <a href="#">Connector Style</a> = Receptacle</li> <li>• Mating Alignment Type = Keyed</li> <li>• Housing Material = Thermoplastic - GF</li> <li>• Housing Color = Black</li> <li>• UL Flammability Rating = UL 94V-0</li> </ul>	<p><b>Configuration Features:</b></p> <ul style="list-style-type: none"> <li>• Number of Positions = 4</li> <li>• Number of Signal Positions = 4</li> <li>• Number of Power Positions = 0</li> <li>• Environmental Protection = Without</li> <li>• Reverse Numbering = Without</li> </ul> <p><b>Industry Standards:</b></p> <ul style="list-style-type: none"> <li>• VDE Tested = No</li> <li>• RoHS/ELV Compliance = RoHS compliant, ELV compliant</li> <li>• Lead Free Solder Processes = Not relevant for lead free process</li> <li>• RoHS/ELV Compliance History = Always was RoHS compliant</li> </ul> <p><b>Identification Marking:</b></p> <ul style="list-style-type: none"> <li>• Keying = A</li> </ul> <p><b>Environmental:</b></p> <ul style="list-style-type: none"> <li>• Fluid Resistance = None</li> </ul> <p><b>Other:</b></p> <ul style="list-style-type: none"> <li>• Brand = AMP</li> </ul>

MOD	LOC	DIST	REVISIONS					
4	BD	35	P	LTR	DESCRIPTION	DATE	OWN	APVD
			H		REVISED PER ECO-12-015521	28SEP12	KH	MZ



DETAIL A



DETAIL B

SMALL PACK	NO	A	206430-5
STANDARD	YES	B	206430-4
STANDARD	YES	A	206430-3
STANDARD	NO	B	206430-2
STANDARD	NO	A	206430-1
PACKAGING	PERIPHERAL SEAL	SEE DETAIL	PART NO

- CAVITY IDENTIFICATION ON FRONT AND REAR FACE.
- WILL ACCEPT FOUR (4) MULTIMATE SOCKET CONTACTS.

THIS DRAWING IS A CONTROLLED DOCUMENT.

DWN	W.LENKER	09/09/92	TE Connectivity
CHK	R.STONE	08/11/93	
APVD	A.FRANTUM	08/13/93	
NAME	RECEPTACLE HOUSING, REVERSE SEX, SHELL SIZE 11, CPC		
DIMENSIONS:	mm[INCHES]	TOLERANCES UNLESS OTHERWISE SPECIFIED:	PRODUCT SPEC
		0 PLC ± -	108-10024
		1 PLC ± -	APPLICATION SPEC
		2 PLC ± 0.13 [.005]	SIZE
		3 PLC ± -	CAGE CODE
		4 PLC ± -	DRAWING NO
		ANGLES ± ± -	RESTRICTED TO
MATERIAL	NYLON, BLACK	FINISH	WEIGHT
			A2 00779
			SCALE 2:1
			SHEET 1 OF 1
			REV H