



Have a Question?
 Chat with a Product
 Information Specialist

What can we help you find?

[Products](#) |
 [Industries](#) |
 [Resources](#) |
 [About TE](#) |
 [My Account](#) |
 [Innovation](#) |
 [Support Center](#)

206306-1 Product Details

[Share](#) |
 [Print](#) |
 [Email](#)



206306-1

TE Internal Number: 206306-1

Active

View 3D PDF

CPC (Circular Plastic) and Circular Metal-Shell Connectors

Always EU RoHS/ELV Compliant (Statement of Compliance)

Product Highlights:

- Housing
- Connector Style = Receptacle
- 37 Positions
- 37 Signal Positions
- 0 Power Positions

[View all Features](#)

Quick Links

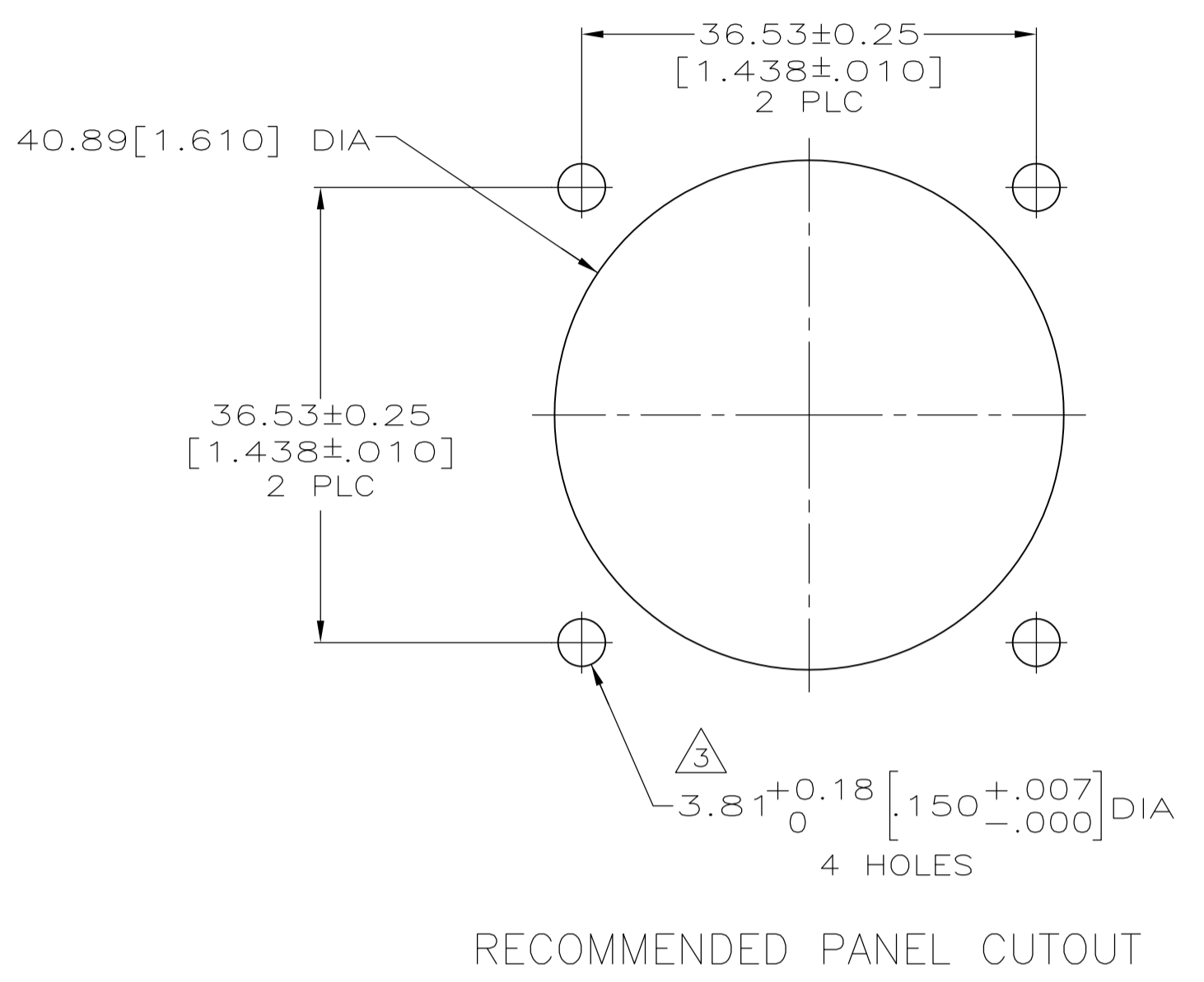
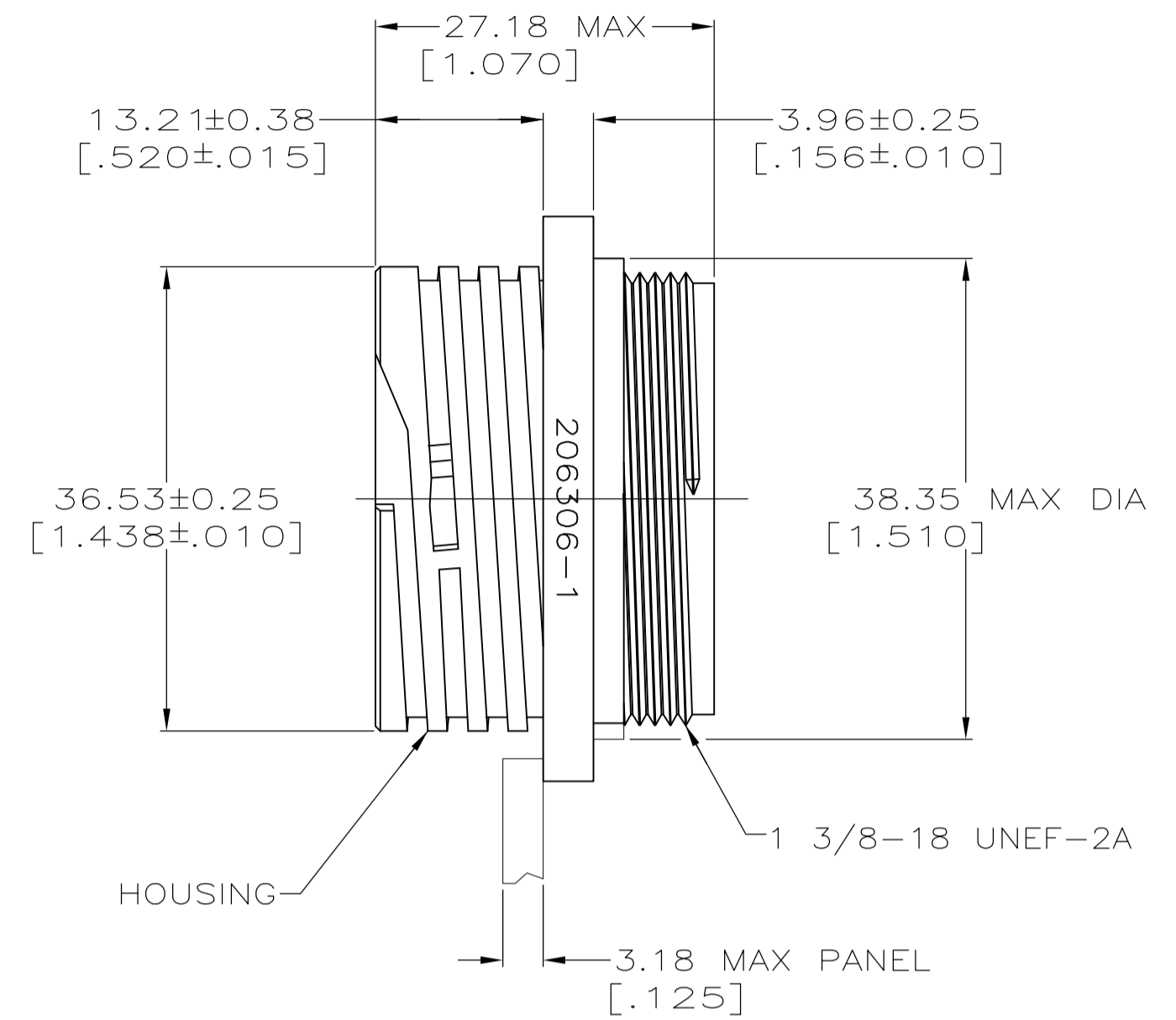
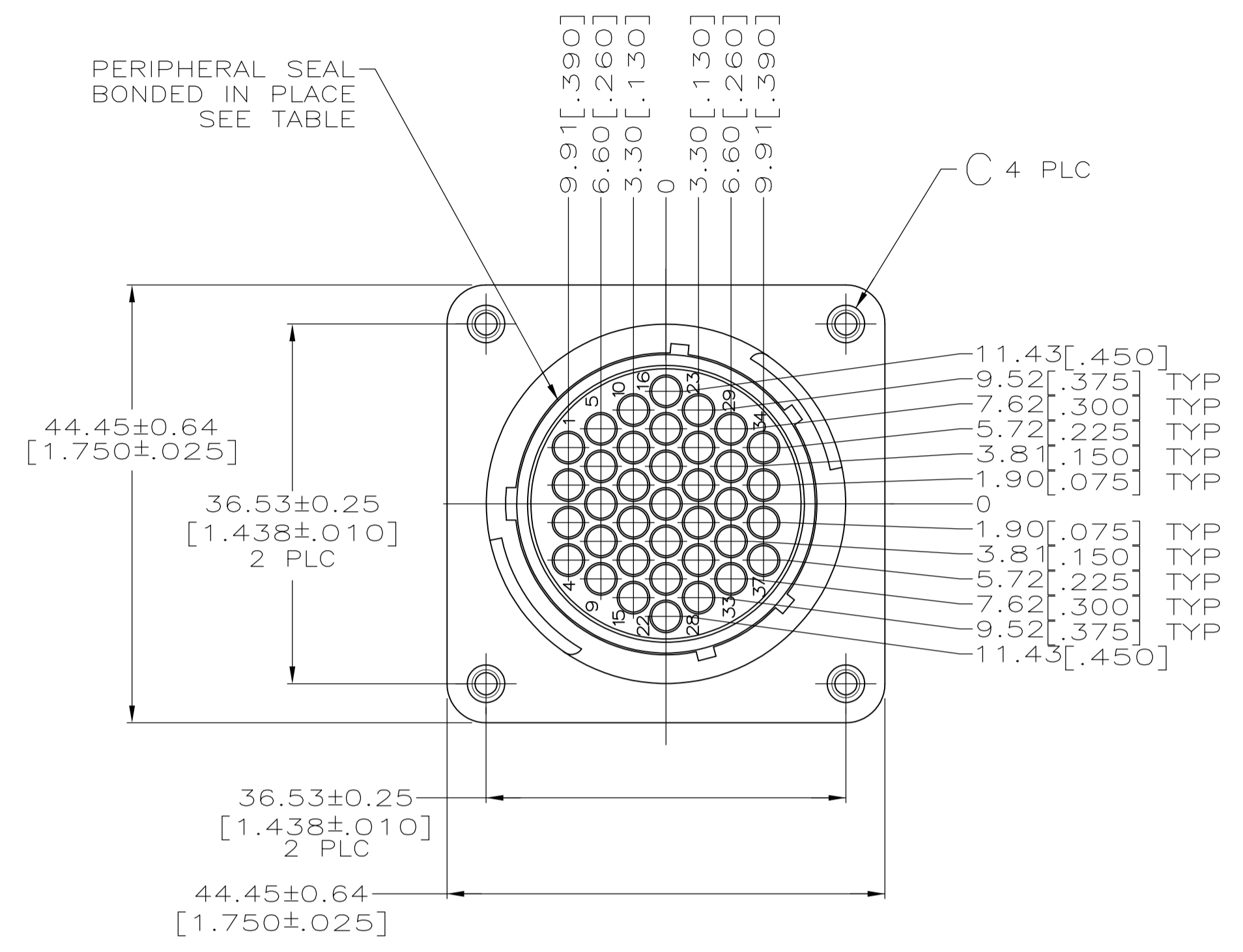
- ▶ [Pricing & Availability](#)
- ▶ [Search for Tooling](#)
- ▶ [View Mating Products \(2\)](#)
- ▶ [Product Feature Selector](#)
- ▶ [Contact Us About This Product](#)

[Add to My Part List](#) |
 [Request Sample](#) |
 [Find Similar Products](#) |
 [Buy Product](#)

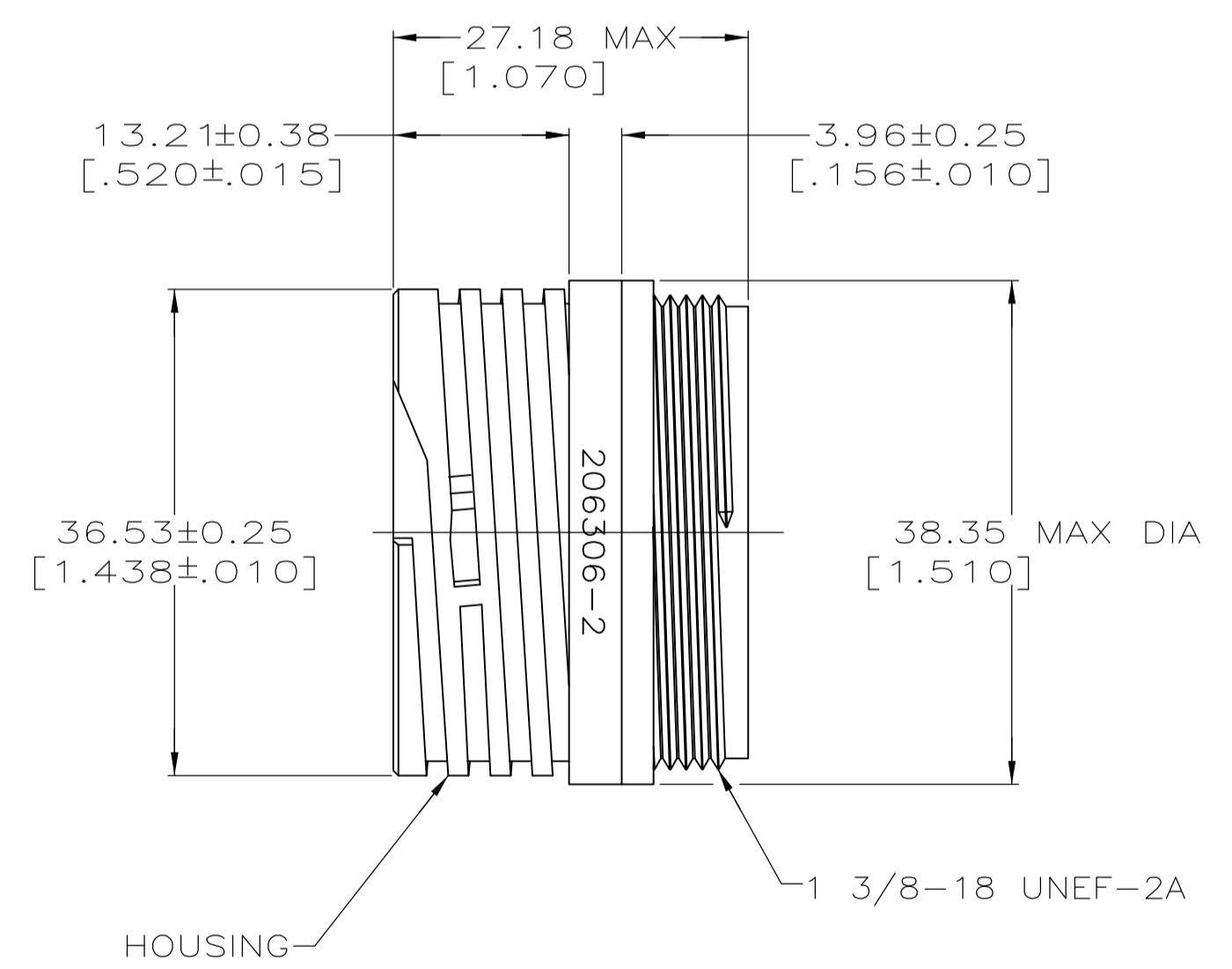
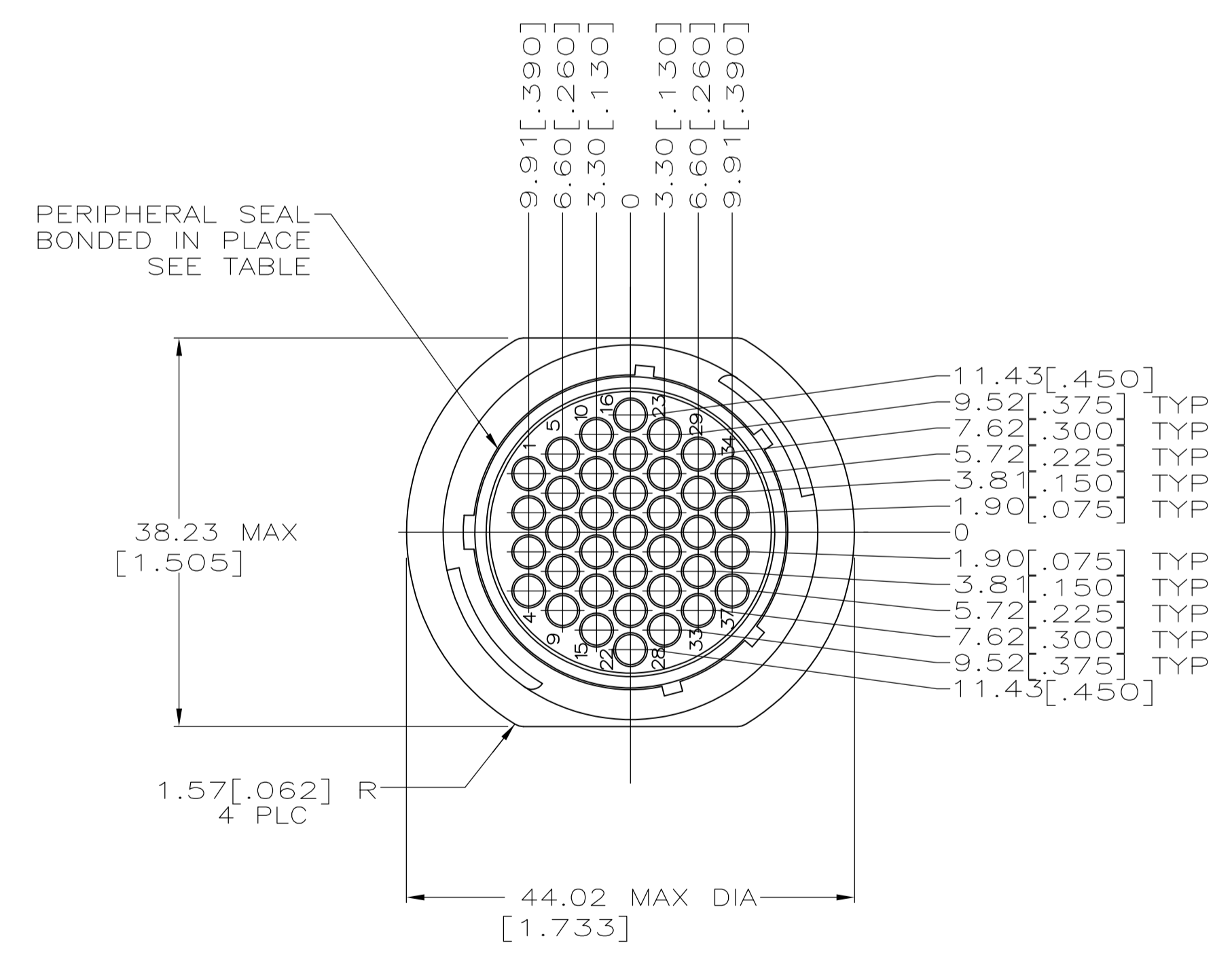
Documentation & Additional Information	
<p>Product Drawings:</p> <ul style="list-style-type: none"> • RECEPTACLE HOUSING, REVERSE SEX, SHELL SIZE 23, CPC (PDF, English) <p>Catalog Pages/Data Sheets:</p> <ul style="list-style-type: none"> • AMP Circular Connectors for Commercial Signal & Powe... (PDF, English) <p>Product Specifications:</p> <ul style="list-style-type: none"> • None Available <p>Application Specifications:</p> <ul style="list-style-type: none"> • Circular Plastic Connectors (CPC) (PDF, English) <p>Instruction Sheets:</p> <ul style="list-style-type: none"> • Circular Plastic Connectors (CPC) (PDF, English) <p>CAD Files: (CAD Format & Compression Information)</p> <ul style="list-style-type: none"> • 2D Drawing (DXF, Version AH) • 3D Model (IGES, Version AH) • 3D Model (STEP, Version AH) 	<p>Additional Product Images:</p> <ul style="list-style-type: none"> • Keying Options <p>Related Products:</p> <ul style="list-style-type: none"> • Tooling • Mating Products (2)

[List all Documents](#)

Product Features (Please use the Product Drawing for all design activity)	
<p>Product Type Features:</p> <ul style="list-style-type: none"> • Connector Type = Housing • Mount Angle = Straight • Shell Size = 23 • PCB Mount Retention = Without • Shell Type = All Plastic • Product Series = Series 1 • Thread Size = 1-3/8 - 18 UNEF-2A • Sealed = No <p>Mechanical Attachment:</p> <ul style="list-style-type: none"> • Mount = Panel • Mating Retention Type = Threaded Coupling <p>Body Features:</p> <ul style="list-style-type: none"> • Mount Style = Flange with Mounting Holes <p>Contact Features:</p> <ul style="list-style-type: none"> • Contact Type = Socket • Reverse Gender = Reverse <p>Housing Features:</p> <ul style="list-style-type: none"> • Connector Style = Receptacle • Mating Alignment Type = Keyed • Housing Material = Nylon • Housing Color = Black • III Flammability Rating = III 94V-0 	<p>Configuration Features:</p> <ul style="list-style-type: none"> • Number of Positions = 37 • Number of Signal Positions = 37 • Number of Power Positions = 0 • Environmental Protection = Without • Reverse Numbering = Without <p>Industry Standards:</p> <ul style="list-style-type: none"> • VDE Tested = No • RoHS/ELV Compliance = RoHS compliant, ELV compliant • Lead Free Solder Processes = Not relevant for lead free process • RoHS/ELV Compliance History = Always was RoHS compliant <p>Identification Marking:</p> <ul style="list-style-type: none"> • Keying = A <p>Environmental:</p> <ul style="list-style-type: none"> • Fluid Resistance = None <p>Conditions for Usage:</p> <ul style="list-style-type: none"> • Accepts Wire Insulation Diameter, Range (mm [in]) = 2.54 [0.100] <p>Other:</p> <ul style="list-style-type: none"> • Brand = AMP • Comment = 5 Locating Key Arrangement.



DETAIL A



DETAIL B

OBSOLETE 5	STANDARD	NO	3.81 [.150] DIA HOLE	A	4 206306-8
	SMALL PACK	NO	3.81 [.150] DIA HOLE	A	206306-6
	STANDARD	NO	4-40 THREADED INSERT	A	206306-5
	STANDARD	YES	-	B	206306-4
	STANDARD	YES	3.81 [.150] DIA HOLE	A	206306-3
	STANDARD	NO	-	B	206306-2
	STANDARD	NO	3.81 [.150] DIA HOLE	A	206306-1
	PACKAGING	PERIPHERAL SEAL		C	SEE DETAIL

- 1 CAVITY IDENTIFICATION ON FRONT AND REAR FACE.
- 2 WILL ACCEPT THIRTY-SEVEN (37) MULTIMATE SOCKET CONTACTS.
- 3 NO 4 FASTENER RECOMMENDED FOR MOUNTING.
- 4 NYLON 6/6, NATURAL.
- 5 OBSOLETE PARTS: OBSOLETE CIS STREAMLINING PER D.RENAUD/D.SINISI

THIS DRAWING IS A CONTROLLED DOCUMENT.

DIMENSIONS: MM [INCHES]	TOLERANCES UNLESS OTHERWISE SPECIFIED:	DIN D.GELTZ 07/26/93	APVD R.STONE 08/11/93	NAME
0 PLC ± -	1 PLC ± -	2 PLC ± 0.13 [.005]	3 PLC ± -	4 PLC ± -
ANGLES ± -		SIZE	CAGE CODE	DRAWING NO
MATERIAL HOUSING: NYLON, BLACK		FINISH	WEIGHT	A1 00779 C=206306
INSERT: BRASS		SCALE	SHEET	1 OF 1 REV

CUSTOMER DRAWING

STE TE Connectivity

RECEPTACLE HOUSING, REVERSE SEX, SHELL SIZE 23, CPC

108-10024