



Have a Question?
 Chat with a Product
 Information Specialist

What can we help you find?

[Products](#) |
 [Industries](#) |
 [Resources](#) |
 [About TE](#) |
 [My Account](#) |
 [Innovation](#) |
 [Support Center](#)

206150-1 Product Details

[Share](#) |
 [Print](#) |
 [Email](#)



206150-1

TE Internal Number: 206150-1

Active

View 3D PDF

CPC (Circular Plastic) and Circular Metal-Shell Connectors

Always EU RoHS/ELV Compliant (Statement of Compliance)

Product Highlights:

- Housing
- Connector Style = Plug
- 37 Positions
- 37 Signal Positions
- 0 Power Positions

[View all Features](#)

Quick Links

- ▶ [Pricing & Availability](#)
- ▶ [Search for Tooling](#)
- ▶ [View Mating Products \(8\)](#)
- ▶ [Product Feature Selector](#)
- ▶ [Contact Us About This Product](#)

[Add to My Part List](#) |
 [Request Sample](#) |
 [Find Similar Products](#) |
 [Buy Product](#)

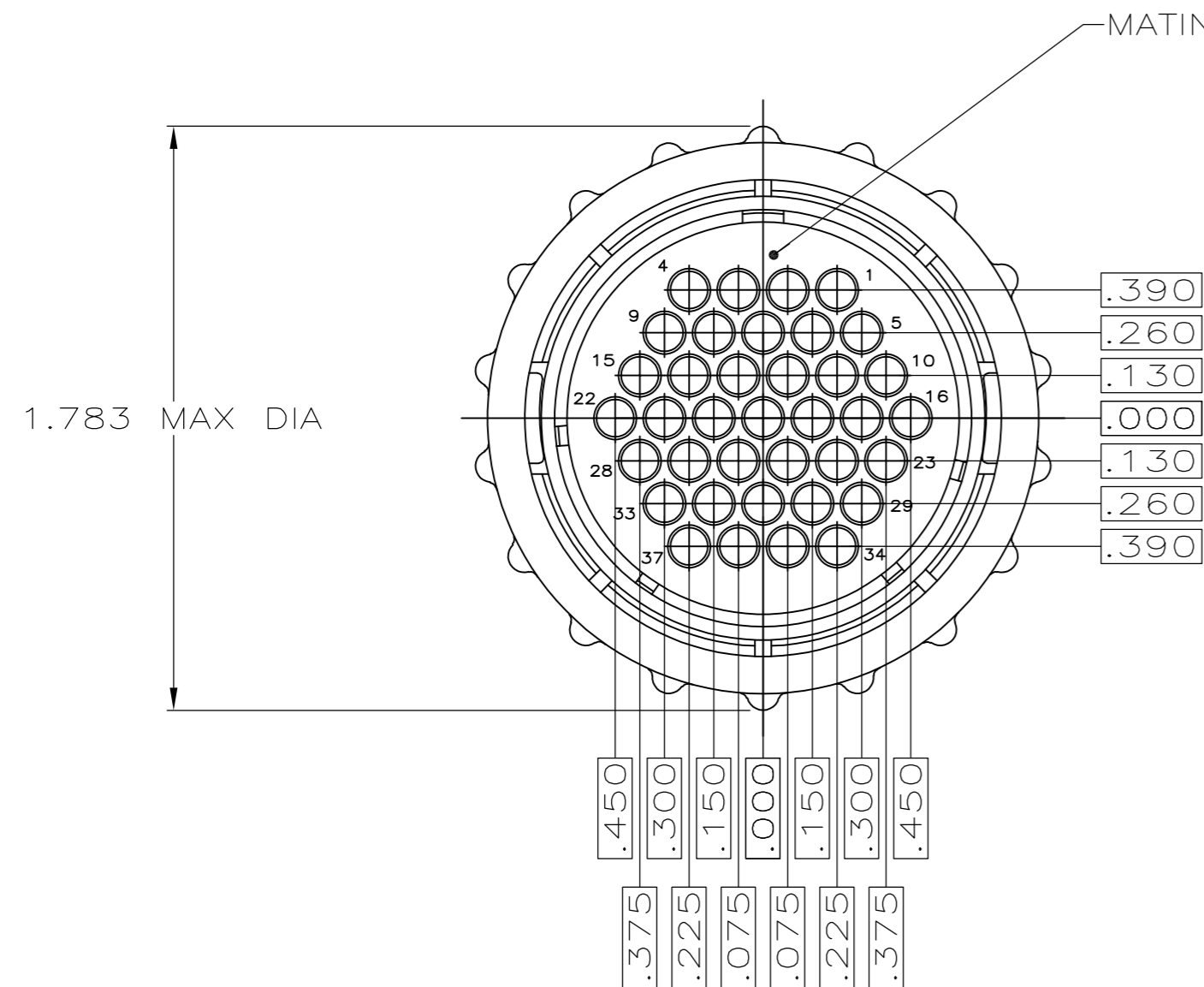
Documentation & Additional Information	
<p>Product Drawings:</p> <ul style="list-style-type: none"> • PLUG ASSEMBLY, SHELL SIZE 23, STANDARD SEX, SERIES 1... (PDF, English) <p>Catalog Pages/Data Sheets:</p> <ul style="list-style-type: none"> • AMP Circular Connectors for Commercial Signal & Powe... (PDF, English) <p>Product Specifications:</p> <ul style="list-style-type: none"> • Connector, Circular Plastic (PDF, English) <p>Application Specifications:</p> <ul style="list-style-type: none"> • Circular Plastic Connectors (CPC) (PDF, English) <p>Instruction Sheets:</p> <ul style="list-style-type: none"> • Circular Plastic Connectors (CPC) (PDF, English) <p>CAD Files: (CAD Format & Compression Information)</p> <ul style="list-style-type: none"> • 2D Drawing (DXF, Version K1) • 3D Model (IGES, Version K1) • 3D Model (STEP, Version K1) 	<p>Additional Product Images:</p> <ul style="list-style-type: none"> • Keying Options <p>Related Products:</p> <ul style="list-style-type: none"> • Tooling • Mating Products (8)

[List all Documents](#)

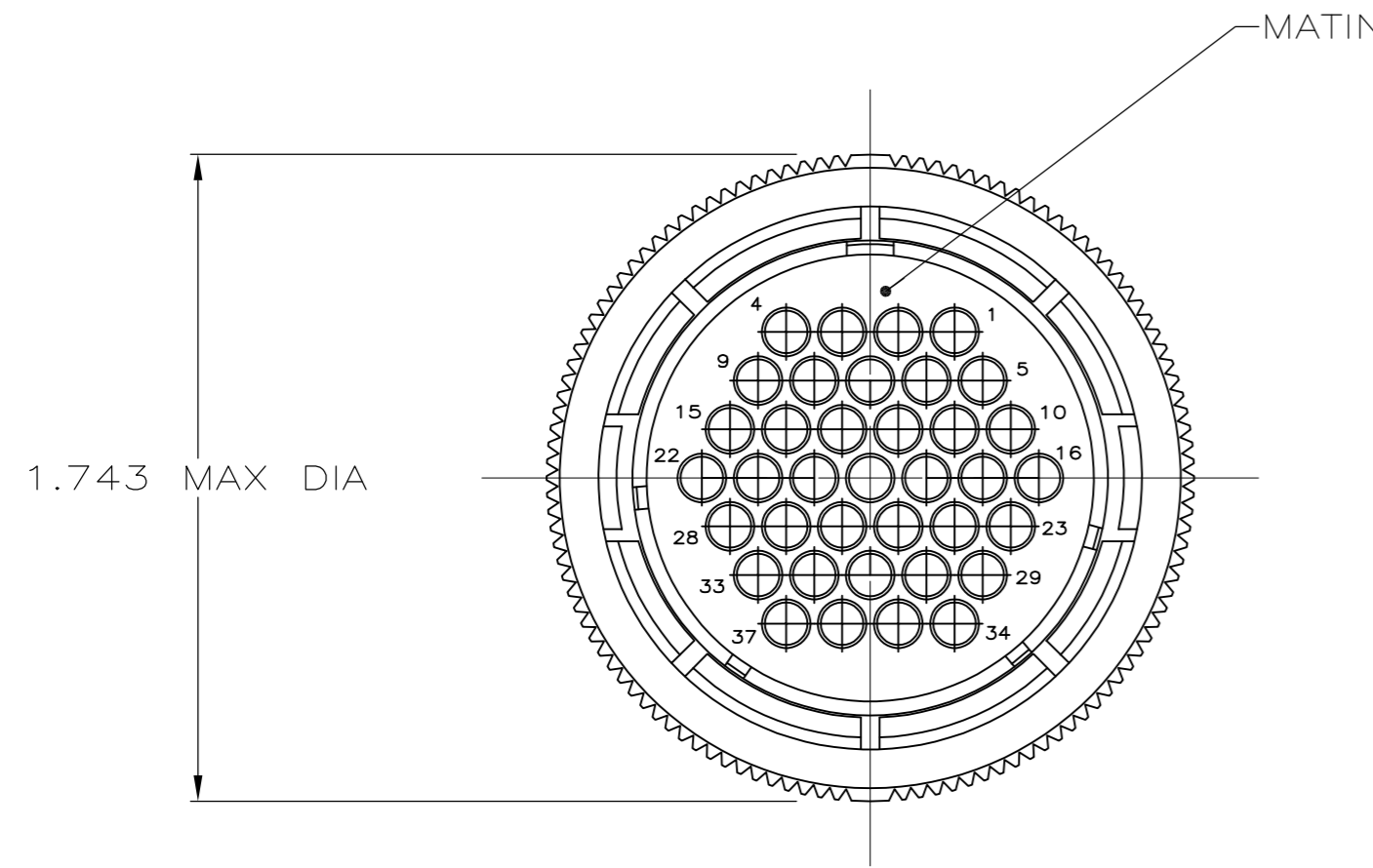
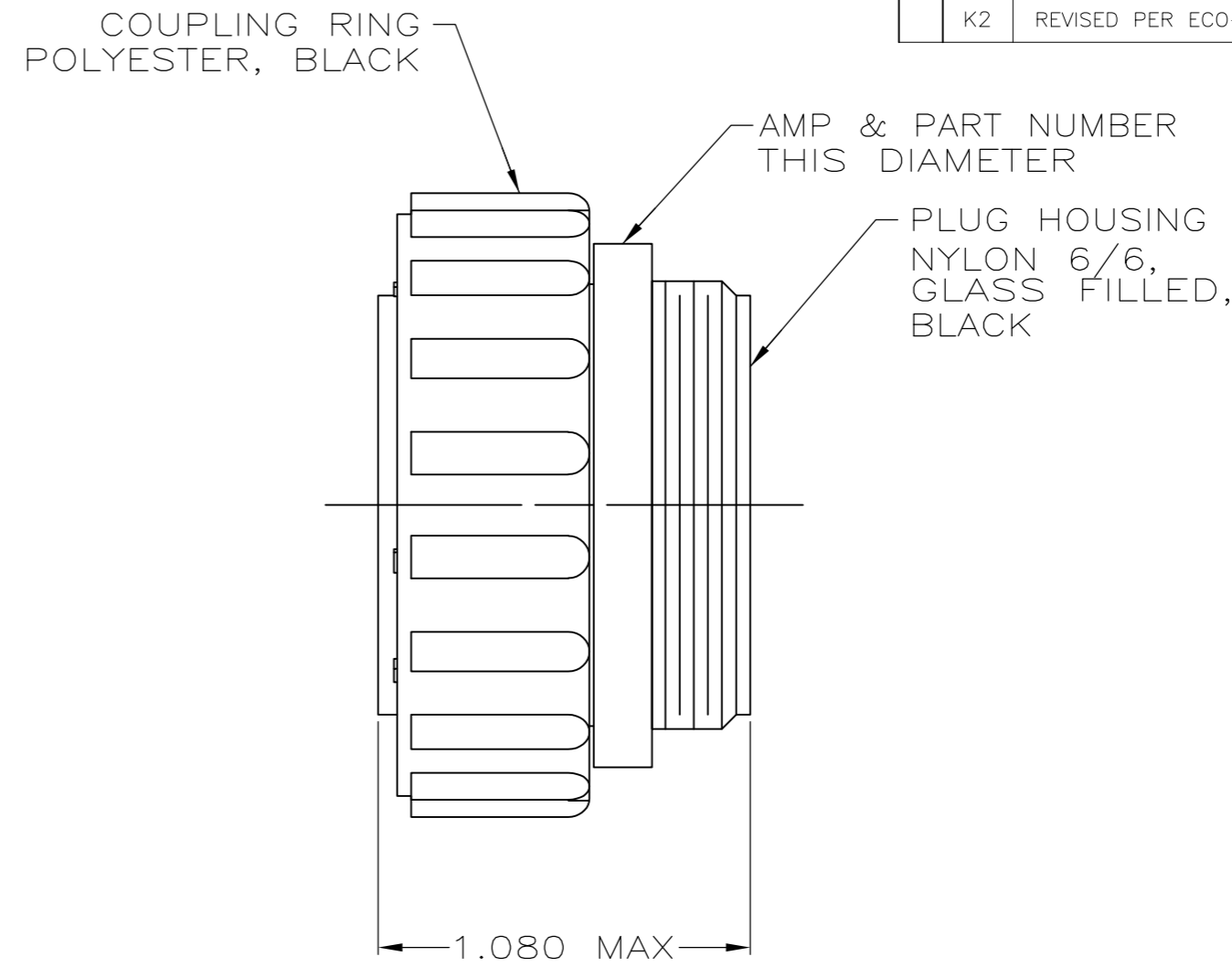
Product Features (Please use the Product Drawing for all design activity)	
<p>Product Type Features:</p> <ul style="list-style-type: none"> • Connector Type = Housing • Mount Angle = Straight • Shell Size = 23 • Shell Type = All Plastic • Product Series = Series 1 • Thread Size = 1-3/8 - 18 UNEF-2A • Sealed = No <p>Mechanical Attachment:</p> <ul style="list-style-type: none"> • Mount = Free Hanging • Mating Retention Type = Threaded Coupling <p>Contact Features:</p> <ul style="list-style-type: none"> • Contact Type = Socket • Reverse Gender = Standard <p>Housing Features:</p> <ul style="list-style-type: none"> • Connector Style = Plug • Mating Alignment Type = Keyed • Housing Material = Nylon 6/6 GF • Housing Color = Black • UL Flammability Rating = UL 94V-0 	<p>Configuration Features:</p> <ul style="list-style-type: none"> • Number of Positions = 37 • Number of Signal Positions = 37 • Number of Power Positions = 0 • Environmental Protection = Without • Reverse Numbering = Without <p>Industry Standards:</p> <ul style="list-style-type: none"> • VDE Tested = No • RoHS/ELV Compliance = RoHS compliant, ELV compliant • Lead Free Solder Processes = Not relevant for lead free process • RoHS/ELV Compliance History = Always was RoHS compliant <p>Identification Marking:</p> <ul style="list-style-type: none"> • Keying = A <p>Environmental:</p> <ul style="list-style-type: none"> • Fluid Resistance = None <p>Other:</p> <ul style="list-style-type: none"> • Brand = AMP

THIS DRAWING IS UNPUBLISHED. RELEASED FOR PUBLICATION
 © COPYRIGHT - By - ALL RIGHTS RESERVED.

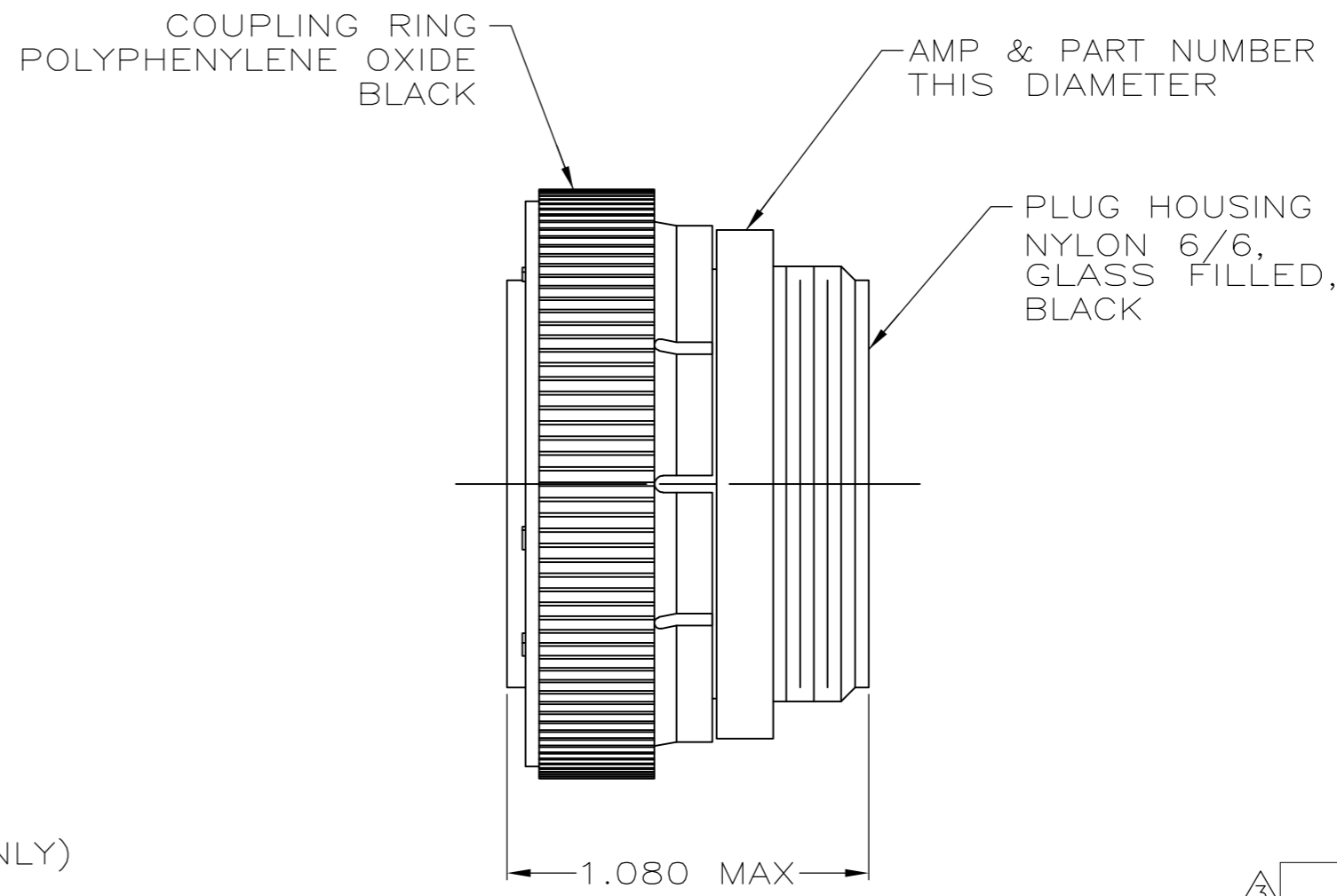
LOC		DIST		REVISIONS			
P	LTR	DESCRIPTION		DATE	DWN	APVD	
FT	0	K2	REVISED PER ECO-11-004587		11MAR11	RK	HMR



(206150-1, -2 & -6 ONLY)



(206150-3 ONLY)



- CONTACT CAVITIES IDENTIFIED BY CHARACTERS ON FRONT AND REAR FACES OF CONNECTOR.
 - THIS CONNECTOR WILL ACCEPT (37) MULTIMATE SOCKET CONTACTS.
- 3 WHITE DOT NEAR POSITION 1 ON WIRE ENTRY FACE.

STANDARD	206150-6
STANDARD	206150-3
SMALL PACK	206150-2
STANDARD	206150-1
PACKAGING	PART NUMBER

THIS DRAWING IS A CONTROLLED DOCUMENT.		DWN S.RIDGLEY BG 8/2/90	TE TE Connectivity	
DIMENSIONS: INCHES		CHK R.STONE 4-26-91		
TOLERANCES UNLESS OTHERWISE SPECIFIED:		APVD -	NAME	
0 PLC ± -		PRODUCT SPEC -	PLUG ASSEMBLY, SHELL SIZE 23, STANDARD SEX, SERIES 1, CPC	
1 PLC ± -		APPLICATION SPEC -	SIZE A2	CAGE CODE 00779
2 PLC ± -		WEIGHT -	DRAWING NO C=206150	RESTRICTED TO -
3 PLC ± -		MATERIAL SEE CALLOUT	SCALE 2:1	SHEET 1 of 1
4 PLC ± -		FINISH -	CUSTOMER DRAWING	REV K2
ANGLES ± -				