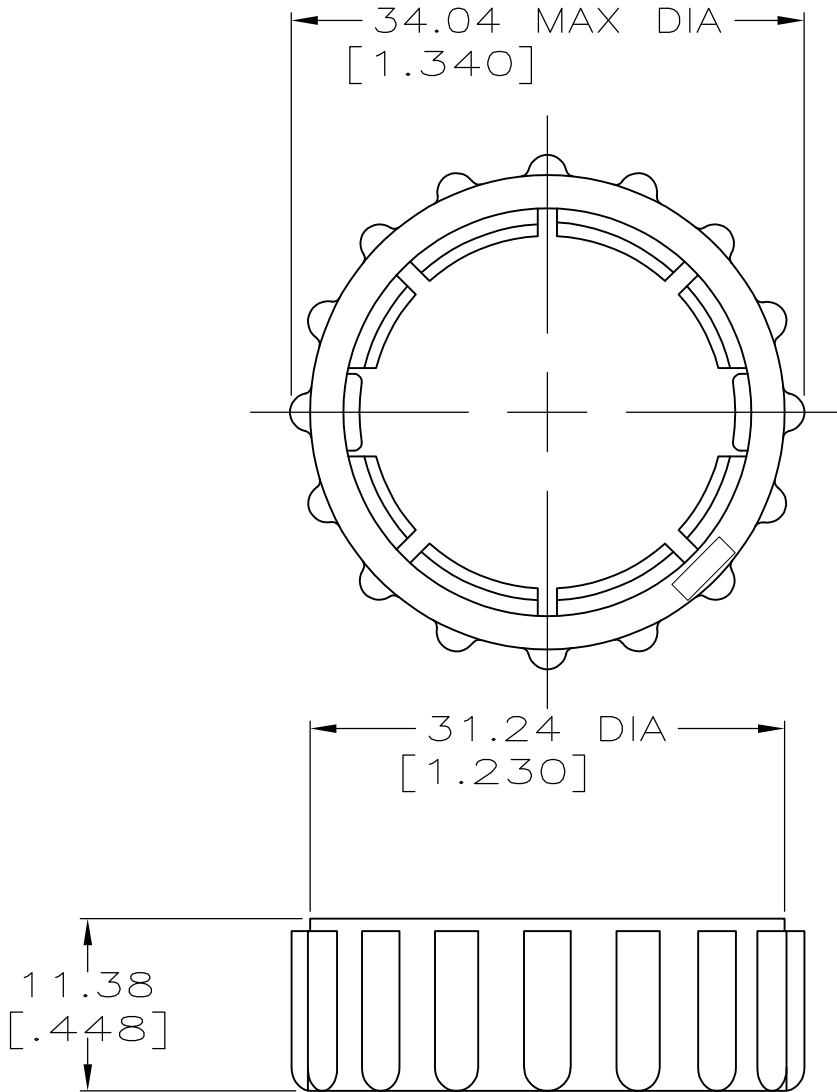


LOC FT	DIST 4	REVISIONS				
P	LTR	DESCRIPTION	DATE	DWN	APVD	
	B1	REVISED PER ECO-11-012039	14JUN11	HMR	DR	

△ 1 UL RATED, UV(f1) MATERIAL
 △ 2 PRELIMINARY PART NUMBER



△ 2 △ 1


POLYAMIDE BLACK	213810-3
POLYESTER BLACK	213810-1
MATERIAL	PART NUMBER

RELEASED FOR PUBLICATION

ALL RIGHTS RESERVED.

THIS DRAWING IS UNPUBLISHED.

© COPYRIGHT - By -

DIMENSIONS: INCHES	DWN D.HARDY	06/20/95	MATERIAL	SEE TABLE	FINISH	-
	CHK R.STONE	06/21/95	 TE Connectivity			
TOLERANCES UNLESS OTHERWISE SPECIFIED:	APVD R.BYERS	06/21/95				
0 PLC ± -	PRODUCT SPEC	-	NAME COUPLING RING, SIZE 17, CPC			
1 PLC ± -	APPLICATION SPEC	-	SIZE	CAGE CODE	DRAWING NO	RESTRICTED TO
2 PLC ± 0.25 [.010]	WEIGHT	-	A4	00779	C-213810	-
3 PLC ± -	CUSTOMER DRAWING					
4 PLC ± -	SCALE		2:1		SHEET	1 OF 1
ANGLES ± -	REV		B1			

