



Have a Question?
 Chat with a Product Information Specialist

What can we help you find?

[Products](#) |
 [Industries](#) |
 [Resources](#) |
 [About TE](#) |
 [My Account](#) |
 [Innovation](#) |
 [Support Center](#)

787610-1 Product Details

[Share](#) |
 [Print](#) |
 [Email](#)



787610-1

TE Internal Number: 787610-1

Active

View 3D PDF

CPC (Circular Plastic) and Circular Metal-Shell Connectors

Always EU RoHS/ELV Compliant (Statement of Compliance)

Product Highlights:

- Housing
- Connector Style = Receptacle
- 37 Positions
- 37 Signal Positions
- 0 Power Positions

[View all Features](#)

Quick Links

- ▶ [Pricing & Availability](#)
- ▶ [Search for Tooling](#)
- ▶ [View Mating Products \(3\)](#)
- ▶ [Product Feature Selector](#)
- ▶ [Contact Us About This Product](#)

[Add to My Part List](#) |
 [Request Sample](#) |
 [Find Similar Products](#) |
 [Buy Product](#)

Documentation & Additional Information	
<p>Product Drawings:</p> <ul style="list-style-type: none"> • RECEPTACLE ASSEMBLY, STANDARD SEX, SIZE 23-37, CPC (PDF, English) <p>Catalog Pages/Data Sheets:</p> <ul style="list-style-type: none"> • AMP Circular Connectors for Commercial Signal & Powe... (PDF, English) <p>Product Specifications:</p> <ul style="list-style-type: none"> • None Available <p>Application Specifications:</p> <ul style="list-style-type: none"> • Circular Plastic Connectors (CPC) (PDF, English) <p>Instruction Sheets:</p> <ul style="list-style-type: none"> • None Available <p>CAD Files: (CAD Format & Compression Information)</p> <ul style="list-style-type: none"> • 2D Drawing (DXF, Version 0) • 3D Model (IGES, Version 0) • 3D Model (STEP, Version 0) 	<p>Additional Product Images:</p> <ul style="list-style-type: none"> • Keying Options <p>Related Products:</p> <ul style="list-style-type: none"> • Tooling • Mating Products (3)

[List all Documents](#)

Product Features (Please use the Product Drawing for all design activity)	
<p>Product Type Features:</p> <ul style="list-style-type: none"> • Connector Type = Housing • Mount Angle = Straight • Shell Size = 23 • PCB Mount Retention = Without • Shell Type = All Plastic • Product Series = Series 1 • Thread Size = 1-3/8 - 18 UNEF-2A • Sealed = No <p>Mechanical Attachment:</p> <ul style="list-style-type: none"> • Mount = Panel • Mating Retention Type = Threaded Coupling <p>Body Features:</p> <ul style="list-style-type: none"> • Mount Style = Flange with Mounting Holes <p>Contact Features:</p> <ul style="list-style-type: none"> • Contact Type = Pin • Reverse Gender = Standard <p>Housing Features:</p> <ul style="list-style-type: none"> • Connector Style = Receptacle • Mating Alignment Type = Keyed • Housing Material = Thermoplastic - GF • Housing Color = Black • III Flammability Rating = III 94V-0 	<p>Configuration Features:</p> <ul style="list-style-type: none"> • Number of Positions = 37 • Number of Signal Positions = 37 • Number of Power Positions = 0 • Environmental Protection = Without • Reverse Numbering = Without <p>Industry Standards:</p> <ul style="list-style-type: none"> • VDE Tested = No • RoHS/ELV Compliance = RoHS compliant, ELV compliant • Lead Free Solder Processes = Not relevant for lead free process • RoHS/ELV Compliance History = Always was RoHS compliant <p>Identification Marking:</p> <ul style="list-style-type: none"> • Keying = A <p>Environmental:</p> <ul style="list-style-type: none"> • Fluid Resistance = None <p>Conditions for Usage:</p> <ul style="list-style-type: none"> • Accepts Wire Insulation Diameter, Range (mm [in]) = 2.54 [0.100] <p>Other:</p> <ul style="list-style-type: none"> • Brand = AMP

--	--

Corporate Information

- [About TE](#)
- [Investors](#)
- [News Room](#)
- [Supplier Portal](#)
- [Careers](#)
- [Terms & Conditions](#)
- [Privacy Policy](#)

Quick Links

- [Distributor Inventory](#)
- [Product Cross Reference](#)
- [Documents & Drawings](#)
- [Product Compliance Support Center](#)
- [Site Map](#)

Customer Support

- [Email or Chat With Us](#)
- [Find a Phone Number](#)
- [Knowledge Base](#)
- [Manage Your Account](#)

Keep Me Informed

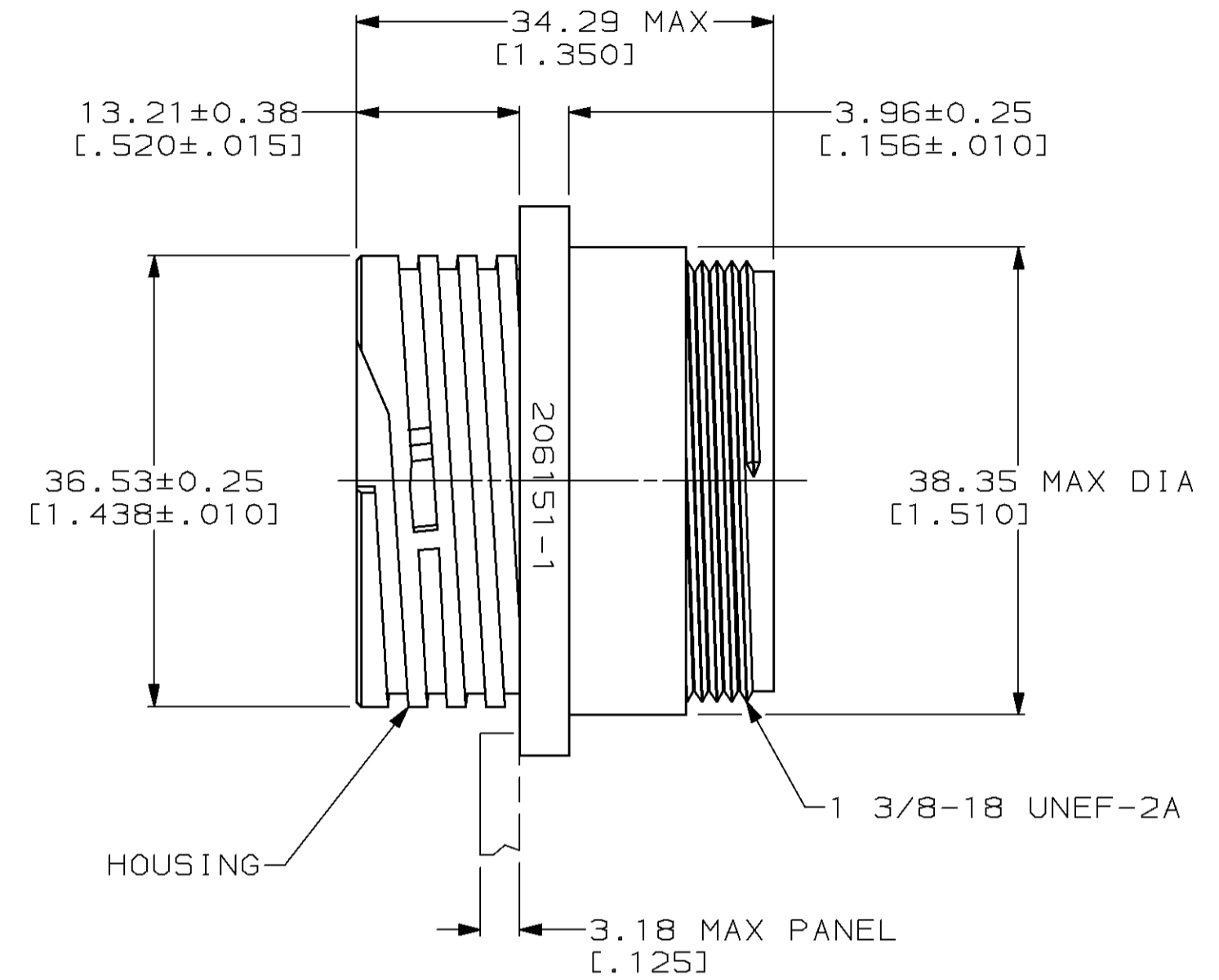
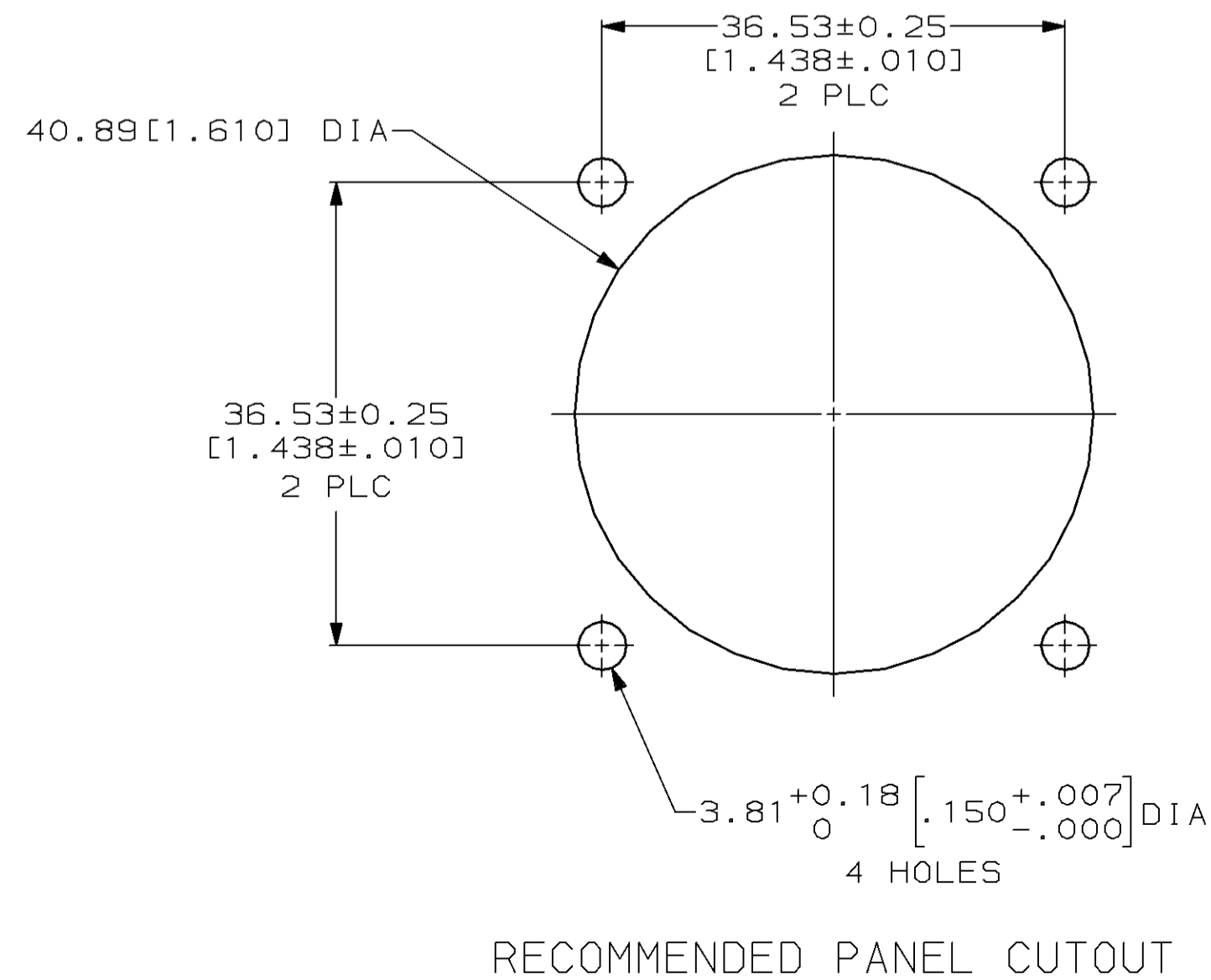
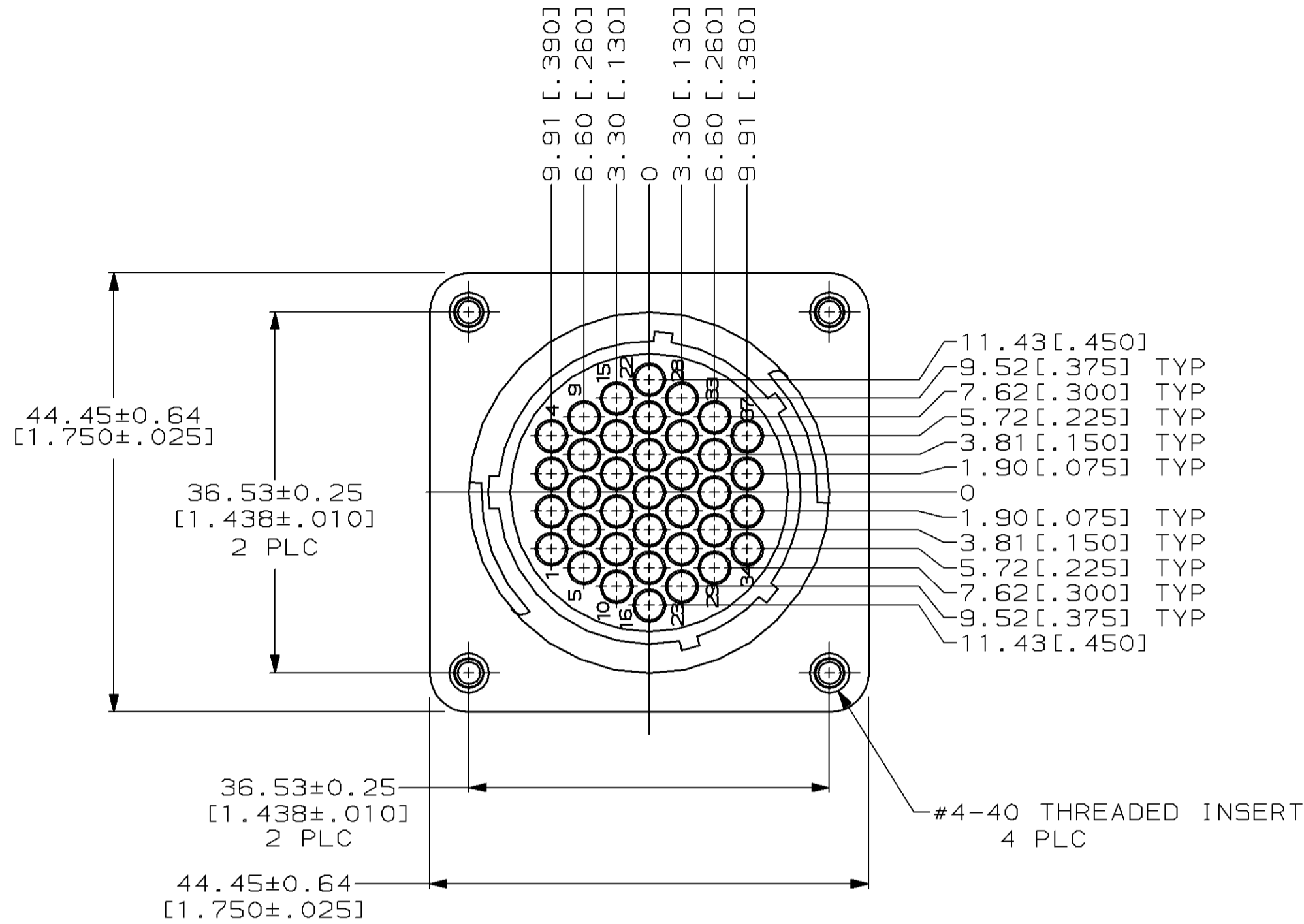


© 2013 TE Connectivity Ltd. family of companies. All Rights Reserved |

[+] Provide Website Feedback

THIS DRAWING IS UNPUBLISHED. RELEASED FOR PUBLICATION
 BY AMP INCORPORATED. ALL RIGHTS RESERVED.

LOC	DIST	REVISIONS			
P	LTR	DESCRIPTION	DATE	DWN	APVD
BD	35	0	RELEASED -1 PER NPR 5423 WAS 95-5029-3-1	06 OCT 95	--



- 1. HOUSING: NYLON, BLACK.
#4-40 THREADED INSERTS: BRASS.
- 2. CAVITY IDENTIFICATION ON FRONT AND REAR FACES.
- 3. CONNECTOR WILL ACCEPT 37 MULTIMATE PIN CONTACTS.

787610-1
PART NUMBER

THIS DRAWING IS A CONTROLLED DOCUMENT FOR AMP INCORPORATED. IT IS SUBJECT TO CHANGE AND THE CONTROLLING ENGINEERING ORGANIZATION SHOULD BE CONTACTED FOR THE LATEST REVISION.		DWN	K.FOLTZ	06 OCT 95	AMP Incorporated Harrisburg, PA 17105-3608
DIMENSIONS:		CHK	R.STONE	09 OCT 95	
mm [INCHES]		APVD	R.BYERS	09 OCT 95	
TOLERANCES UNLESS OTHERWISE SPECIFIED:		PRODUCT SPEC		NAME	RECEPTACLE ASSEMBLY, STANDARD SEX, SIZE 23-37, CPC
0 PLC ±-		108-10024		SIZE	
1 PLC ±-		APPLICATION SPEC		CAGE CODE	00779
2 PLC ±0.13 [0.005]		-		DRAWING NO	C=787610
3 PLC ±-		-		WEIGHT	-
4 PLC ±-		-		SCALE	2:1
ANGLES ±-		-		SHEET	1 OF 1
FINISH -		CUSTOMER DRAWING		REV	0

787610

B

A